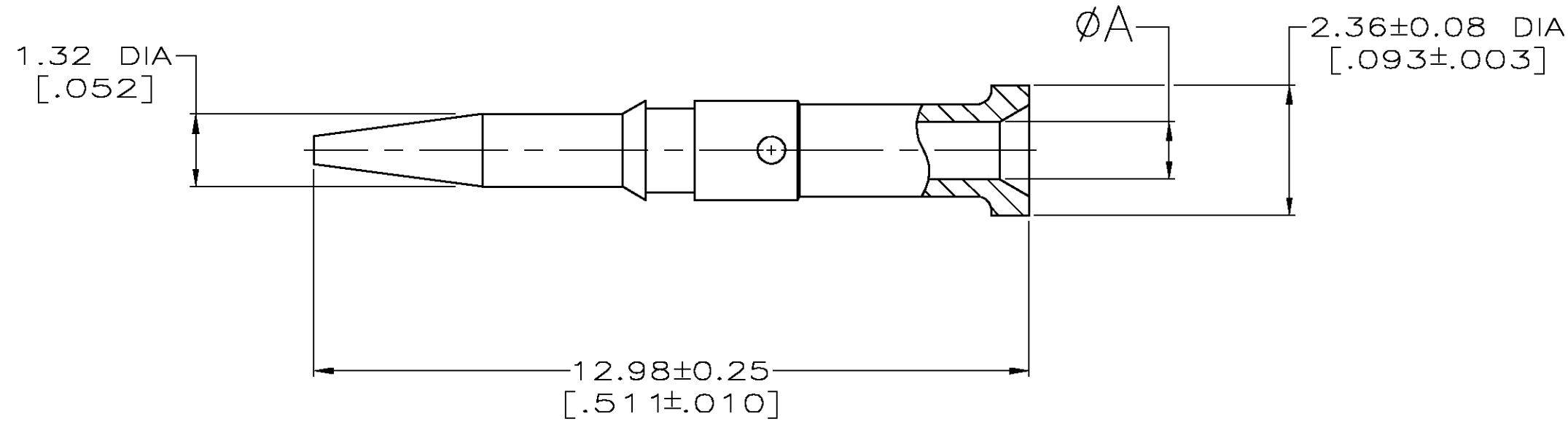


THIS DRAWING IS UNPUBLISHED. RELEASED FOR PUBLICATION
 © COPYRIGHT BY TYCO ELECTRONICS CORPORATION. ALL RIGHTS RESERVED.

LOC	DIST	REVISIONS					
		P	LTR	DESCRIPTION	DATE	DWN	APVD
AJ	16		H	REV PER OS14-0336-04	09-28-04	JDP	JL

- 1 TIN-LEAD PL PER ASTM-B-545
- 2 GOLD PL PER MIL-G-45204
- 3 SILVER PL PER QQ-S-365
- 4 TIN PL PER ASTM-B-545 WITH SUPPLEMENTAL ANTI-FRETTING LUBRICANT.
- 5. BRASS PER ASTM B-16



OBSOLETE

4	0.38 [.015]	9-221607-4
4	0.61 [.024]	9-221607-3
4	0.79 [.031]	9-221607-2
4	0.79 [.031]	9-221607-1
4	0.99 [.039]	9-221607-0
2	1.19 [.047]	2-221607-8
3	0.38 [.015]	2-221607-6
2	0.38 [.015]	2-221607-5
1	0.38 [.015]	2-221607-4
2	0.61 [.024]	2-221607-2
3	0.61 [.024]	2-221607-1
1	0.61 [.024]	2-221607-0
3	1.12 [.044]	1-221607-8
1	1.12 [.044]	1-221607-7
2	1.12 [.044]	1-221607-6
2	0.79 [.031]	1-221607-4
3	0.79 [.031]	221607-8
3	0.99 [.039]	221607-7
2	0.79 [.031]	221607-6
2	0.99 [.039]	221607-5
1	0.79 [.031]	221607-4
1	0.99 [.039]	221607-2

FINISH ØA PART #

THIS DRAWING IS A CONTROLLED DOCUMENT.		DWN M. SNEED 5-10-90	Tyco Electronics Corporation Harrisburg, Pa 17105-3608	
DIMENSIONS: INCHES		CHK D. LAMAN 7-6-90	APVD -	
TOLERANCES UNLESS OTHERWISE SPECIFIED: 0 PLC ± - 1 PLC ± - 2 PLC ± - 3 PLC ± .002 4 PLC ± - ANGLES ± -		PRODUCT SPEC -	NAME CONTACT, MALE BNC	
MATERIAL FINISH SEE TABLE		APPLICATION SPEC -	SIZE A2	CAGE CODE 00779
		WEIGHT -	DRAWING NO C=221607	RESTRICTED TO -
		CUSTOMER DRAWING		SCALE 10:1 SHEET 1 OF 1 REV H

X-ON Electronics

Largest Supplier of Electrical and Electronic Components

Click to view similar products for [RF Connectors](#) / [Coaxial Connectors](#) category:

Click to view products by [TE Connectivity](#) manufacturer:

Other Similar products are found below :

[R125315120](#) [8915-1511-000](#) [89674-0827](#) [5916-1103-603](#) [0106-001-000](#) [6-0001-3](#) [6001-7071-019](#) [6002-7051-003](#) [6002-7551-202](#) [6059674-1](#) [619550-1](#) [630059-000](#) [M39012/25-0021](#) [M39012/79-3008](#) [M39030/3-01N](#) [M39030/3-03N](#) [M3933/25-29N](#) [M3933/25-36N](#) [6500-7071-046](#) [6501-1071-002](#) [M83723/72W24576](#) [M83723/72W2457N](#) [6769](#) [CX050L2AQ](#) [7002-1541-010](#) [7003-1572-002](#) [7004-1512-000](#) [7009-1511-004](#) [7010-1511-000](#) [7029-1511-060](#) [7101-1541-010](#) [7101-1571-002](#) [7105-1521-002](#) [7145-1521-002](#) [7209-1511-011](#) [7210-1511-012](#) [7210-1511-015](#) [7210-1511-019](#) [7210-1511-040](#) [7225-1512-050](#) [7242-1511-000](#) [73137-5015](#) [73216-2241](#) [73251-0111](#) [73251-0672](#) [73276-1501](#) [73366-0013](#) [73404-2300](#) [73413-6080](#) [734151610](#)