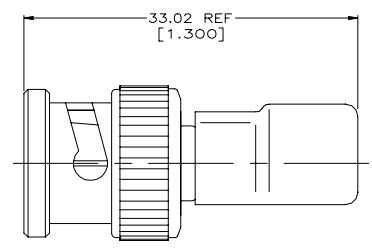
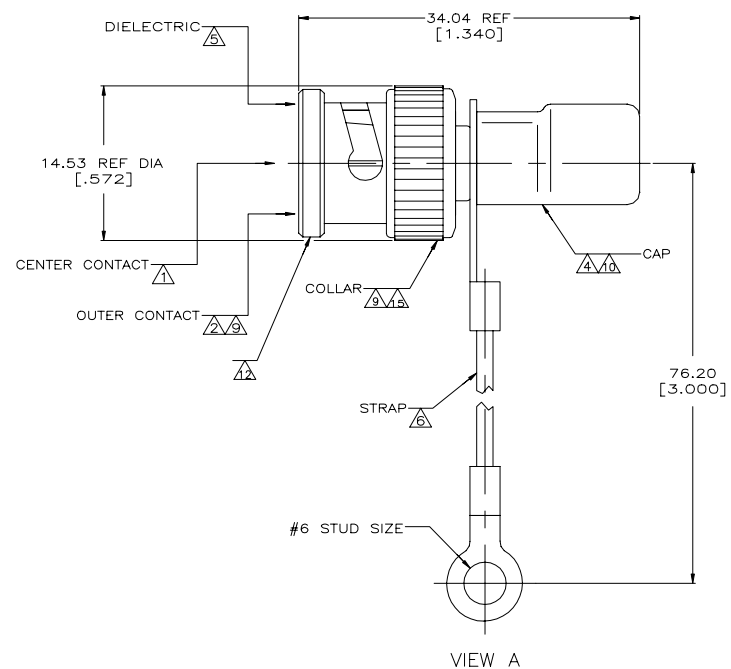
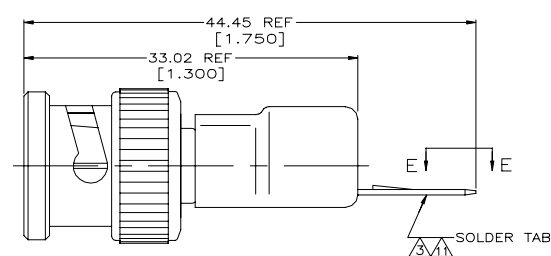


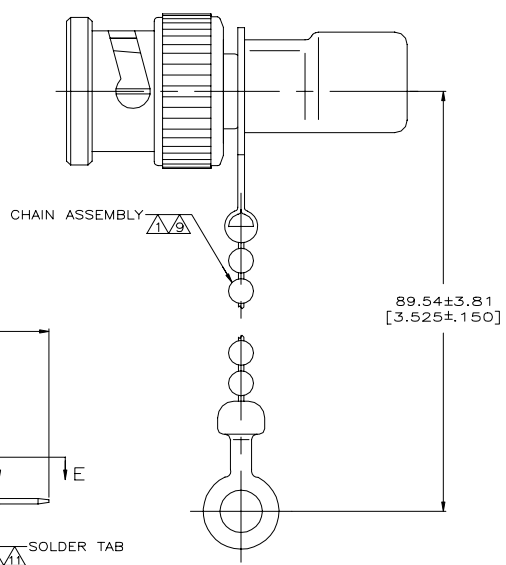
REVISIONS			
P. LTR	DESCRIPTION	DATE	DRW. APD
AE3	REVISED PER ECR-21-103273	13MAY2021	RZ WK



VIEW B  
SAME AS VIEW A EXCEPT AS SHOWN

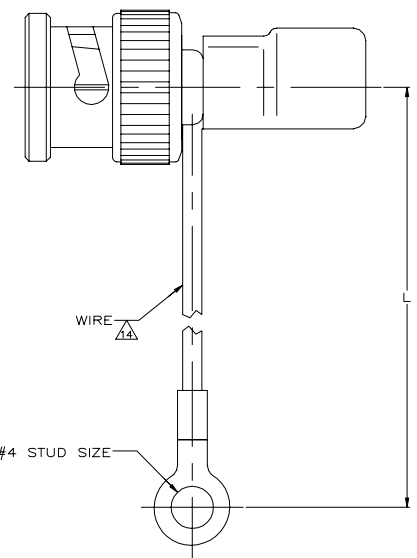


VIEW D  
SAME AS VIEW A EXCEPT AS SHOWN

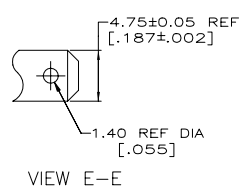


VIEW C  
SAME AS VIEW A EXCEPT AS SHOWN

- 1 BRASS PER QQ-B-626.
- 2 BRASS PER MIL-C-21768.
- 3 BRASS PER MIL-C-50.
- 4 COPPER PER QQ-C-576.
- 5 POLYETHYLENE PER LP-390.
- 6 POLYESTER PER MIL-T-43435, COLOR NATURAL.
- 7 GOLD PLATE PER MIL-G-45204, 0.76 μm [.000030] MINIMUM THICK.
- 8 SILVER PLATE PER QQ-S-365, 2.54 μm [.000100] MINIMUM THICK.
- 9 NICKEL PLATE PER QQ-N-290, 1.27 μm [.000050] MINIMUM THICK.
- 10 TIN PLATE PER ASTM B 545, 2.54 μm [.000100] MIN THICK.
- 11 TIN PLATE PER ASTM B 545, 3.81 μm [.000150] MINIMUM THICK.
- 12 VALUE MARKED ON CONNECTOR BODY AS SHOWN. (SEE TABLE)
- 13 SEE SEPARATE RESTRICTED CUSTOMER DRAWING WITH THIS PART NUMBER.
- 14 16 GAUGE INSULATED GROUND WIRE.
- 15 ZINC PER QQ-Z-363



VIEW F  
SAME AS VIEW A EXCEPT AS SHOWN



VIEW E-E

REVISION	DATE	DESCRIPTION	BY	CHKD	APP'D	QTY	UNIT	REVISION	DATE	DESCRIPTION	BY	CHKD	APP'D	QTY	UNIT
OBSOLETE	1	1%	50	50Ω 1W	-	-	-	1	B	9-221629-1	-	-	-	-	-
OBSOLETE	1	1%	50	50Ω 1W	-	-	-	1	A	9-221629-0	-	-	-	-	-
OBSOLETE	-	1%	50	50Ω 1W	2999.99±25.40	[118.1±1.00]	-	1	F	2-221629-2	-	-	-	-	-
OBSOLETE	1	1%	50	50Ω 1W	-	-	-	1	-	2-221629-1	-	-	-	-	-
OBSOLETE	1	1%	50	50Ω 1W	-	-	-	1	-	2-221629-0	-	-	-	-	-
OBSOLETE	1	1%	50	50Ω 1W	-	-	-	1	-	1-221629-9	-	-	-	-	-
OBSOLETE	1	1%	50	50Ω 1W	-	-	-	1	B	1-221629-8	-	-	-	-	-
OBSOLETE	1	1%	50	50Ω 1W	85.85±2.03	[3.38±.080]	-	1	F	1-221629-6	-	-	-	-	-
OBSOLETE	1	1%	50	50Ω 1W	-	-	-	1	D	1-221629-2	-	-	-	-	-
OBSOLETE	.5	1%	75	75Ω .5W	-	-	-	1	C	1-221629-1	-	-	-	-	-
OBSOLETE	1	1%	50	50Ω 1W	-	-	-	1	B	221629-9	-	-	-	-	-
OBSOLETE	1	1%	50	50Ω 1W	-	-	-	1	B	221629-8	-	-	-	-	-
OBSOLETE	.5	5%	100	100Ω .5W	-	-	-	1	B	221629-7	-	-	-	-	-
OBSOLETE	1	1%	93	93Ω 1W	-	-	-	1	B	221629-6	-	-	-	-	-
OBSOLETE	1	1%	75	75Ω 1W	-	-	-	1	B	221629-5	-	-	-	-	-
OBSOLETE	1	1%	50	50Ω 1W	-	-	-	1	B	221629-4	-	-	-	-	-
OBSOLETE	1	1%	93	93Ω 1W	-	-	-	1	A	221629-3	-	-	-	-	-
OBSOLETE	1	1%	75	75Ω 1W	-	-	-	1	A	221629-2	-	-	-	-	-
OBSOLETE	1	1%	50	50Ω 1W	-	-	-	1	A	221629-1	-	-	-	-	-

WATT	TOLERANCE	OHM	MARKING	L	CENTER CONTACT PLATING	VIEW	PART NUMBER
			12				

THIS DRAWING IS A CONTROLLED DOCUMENT. DRW: LIPPERT 9-22-90  
 DRW: E. RUTH 9-28-90  
 DRW: M. PHILLIPS 10-1-90

TE Connectivity  
 TERMINATOR, PLUG, COMMERCIAL BNC

APPLICATOR SPEC: 0.000000  
 WEIGHT: 0.000000  
 MATERIAL: -  
 FINISH: -

SIZE: A1  
 CASE CODE: 00779  
 DRAWING NO: 221629  
 RESTRICTED TO: -  
 CUSTOMER DRAWING: -  
 SCALE: 4:1  
 SHEET: 1 OF 1  
 REV: AF3

## X-ON Electronics

Largest Supplier of Electrical and Electronic Components

*Click to view similar products for [RF Terminators](#) category:*

*Click to view products by [TE Connectivity](#) manufacturer:*

Other Similar products are found below :

[M390303-02N](#) [M39030/3-04S](#) [M39030/3-09S](#) [M39030/3-11N](#) [TNG1-9-78-D3](#) [TNA2-50](#) [TNG1-6-78](#) [TNH1-1-50](#) [R404280000](#) [TNGFL1-1-78](#) [R4042N5000](#) [R404518000](#) [53S1RR-001N3](#) [142275](#) [56S1RR-001N4](#) [18S15R-0.5E3](#) [65\\_BNC-50-0-7/133\\_NE](#) [71S1RR-001N4](#) [02S17R-001D3](#) [R404240120](#) [R404260000](#) [HT-10-2](#) [FL LCX 50-OHM-RSMA](#) [M39030/3-04N](#) [TNA1-6-50](#) [131-3801-811](#) [TNA1-1-50](#) [65\\_N-50-0-51/113\\_NE](#) [65\\_BNC-50-0-2/133\\_NE](#) [65\\_N-50-0-1/133\\_NE](#) [65002\\_N-50-1/122\\_NE](#) [65\\_MMCX-50-0-31/111\\_OE](#) [18K15R-0.5E3](#) [2702702](#) [TRM-2161-M0-35M-02](#) [53S17R-001N3](#) [1100.19.0001](#) [18S24H-40ML5](#) [TRM-2053-M0-NNN-02](#) [R404759000](#) [M39030/6-02N](#) [TRM-2080-M0-NNN-07](#) [TRM-2053-MC-NNN-02](#) [M39030/3-03S](#) [SF8012-6009](#) [6701.01.A](#) [65\\_MCX-50-0-4/111\\_NE](#) [65\\_716-50-0-2/003\\_-E](#) [65\\_SMB-50-0-1/111\\_NE](#) [M39030/3-12N](#)