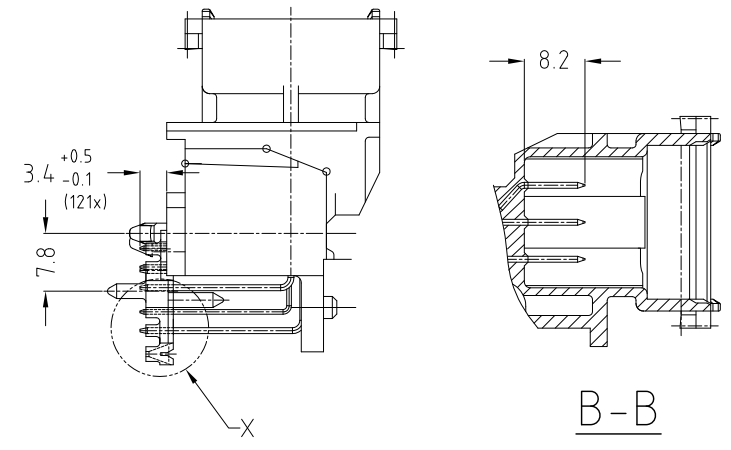
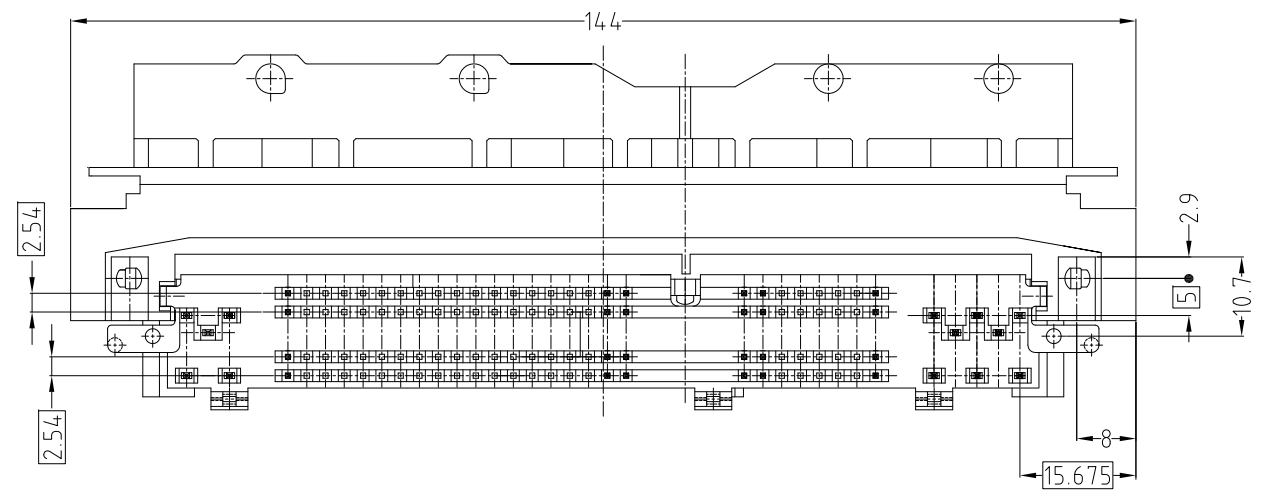
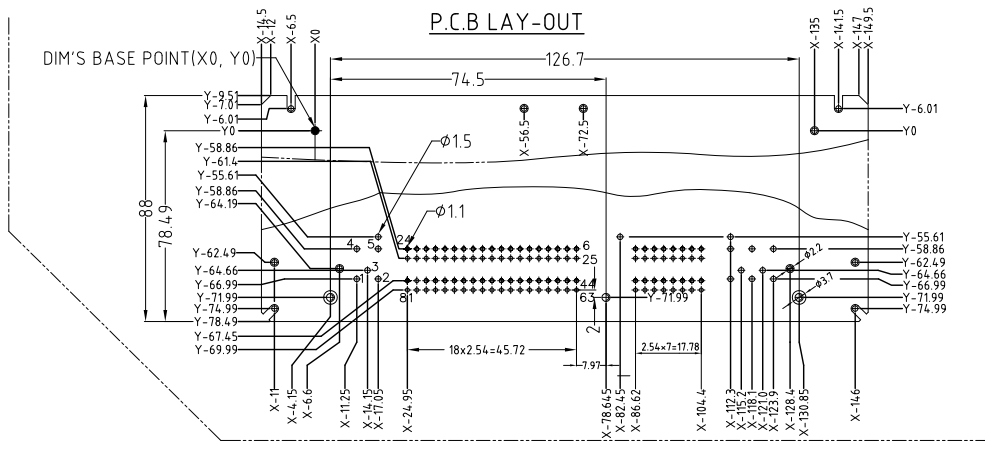
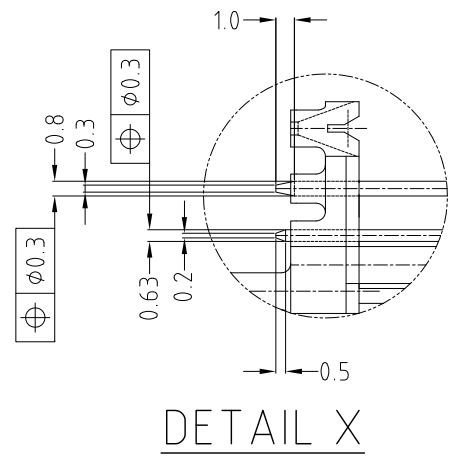
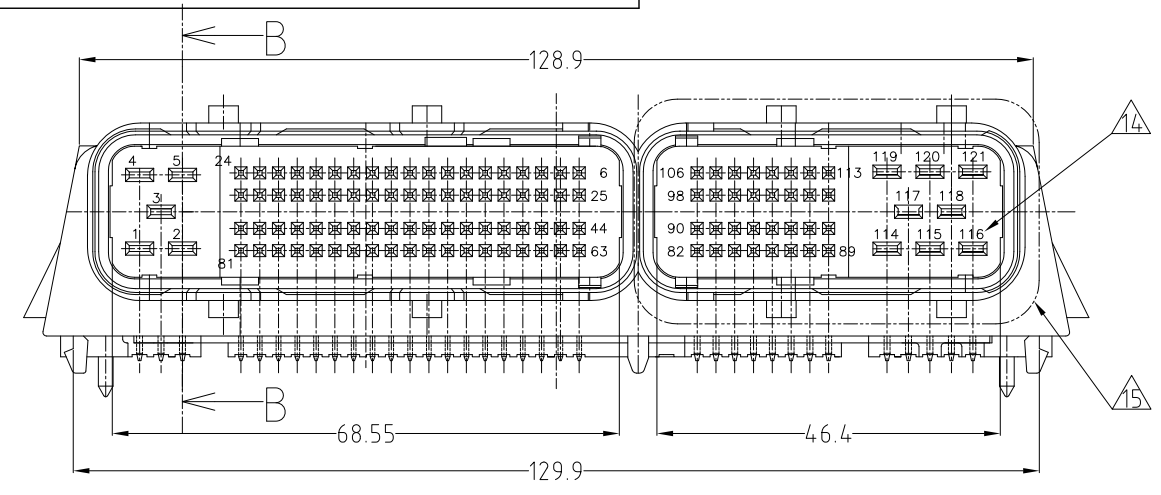
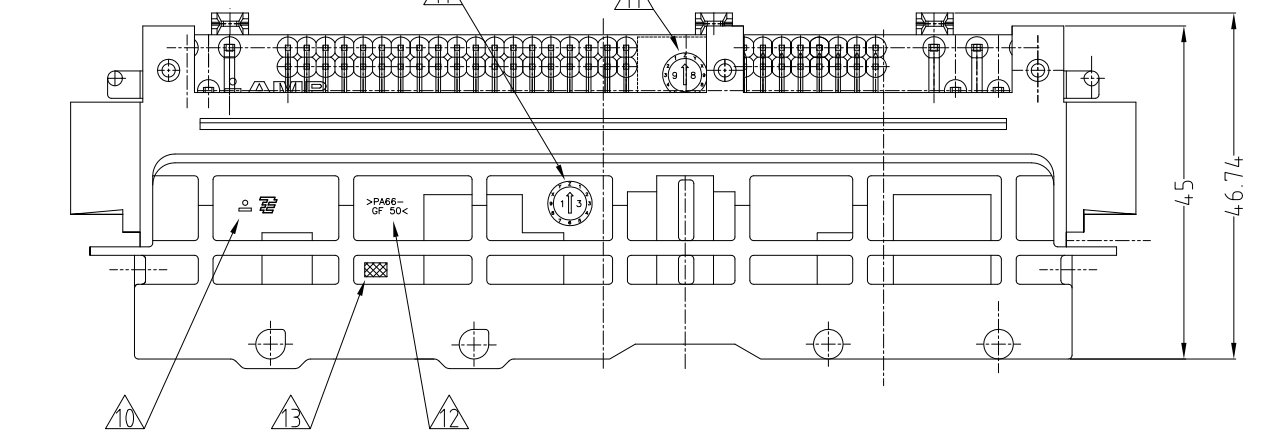
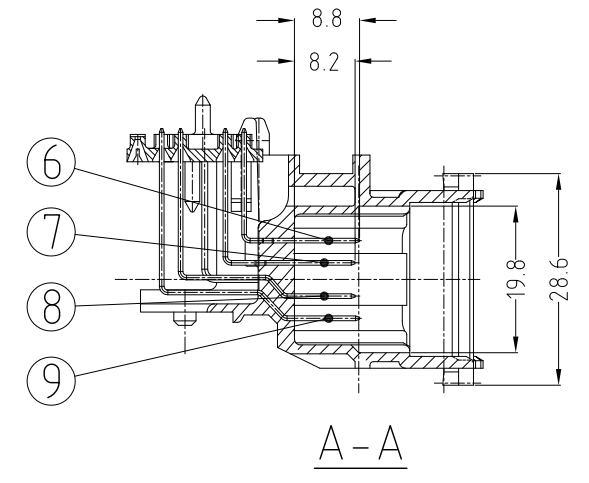
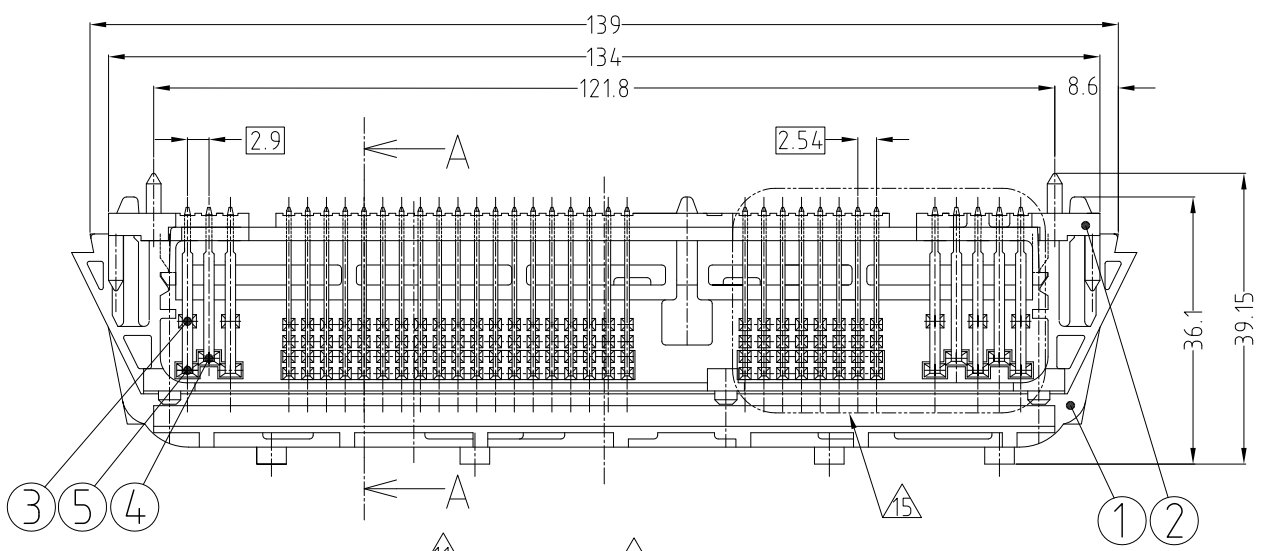


| LOC | DIST | REVISIONS | | | |
|-----|----------|-------------|-----------|----|-----|
| P | LTR | DESCRIPTION | DATE | BY | APV |
| A | RELEASED | | 23.DEC.13 | YH | HG |



- NOTE :
- GENERAL TOLERANCES 0.15, 1°
 - WARP IS 0.2 MAX AND FLASH IS 0.15 MAX.
 - SHARP EDGES EXCEPT AS NOTED 0.3 CHAMFER.
 - ALL RADII R0.3 EXCEPT AS INDICATED.
 - SURFACE DEFECTS ARE NOT ACCEPTABLE AS FOLLOWS, WELD LINES, HAIRCRACKS, STAINS & SCORES.
 - ASS'Y DIMENSION SHOULD BE CONSIDERED AFTER INSERTING THE JOINTER HOUSING INTO THE HEADER HOUSING.
 - MATERIAL HOUSING : PA66 GF50% (COLOR - BLACK)
TERMINAL : SEE TABLE
 - FINISH SPEC SIGNAL : Sn 2~5um.
POWER : Sn 2~5um.
 - NO SHORT/OPEN.
 - AMP TRADE MARK MUST BE CLEAR AND LEGIBLE.
 - DATE OF PRODUCTION WITH BE CLEAR AND LEGIBLE.
 - MATERIAL MARK MUST BE CLEAR AND 0.5 RAISED INSIDE 0.5mm. CHARACTERS(SIMPLEX) 1.5 HEIGHT.
 - CAVITY MARK.
 - CIRCUIT NUMBER.
 - THIS AREA(TERMINAL) IS NOT AVAILABLE FOR P/N(1-2219100-X).



| REV | ASSY P/N | QTY |
|-----|-------------|-----|
| 1 | 1-2219100-2 | A |
| 2 | 0-2219100-2 | A |

| NO. | DESCRIPTION | MATERIAL | COLOR | FINISH | Q'TY |
|-----|------------------------|----------------|-------|---------|-------|
| 9 | 0.63mm E.LONG TAB | C519TW | - | PRE-TIN | 19 27 |
| 8 | 0.63mm LONG TAB | C519TW | - | PRE-TIN | 19 27 |
| 7 | 0.63mm MIDDLE TAB | C519TW | - | PRE-TIN | 19 27 |
| 6 | 0.63mm SHORT TAB | C519TW | - | PRE-TIN | 19 27 |
| 5 | 2.8mm LONG TAB | C2600R-H | - | TINNED | 2 5 |
| 4 | 2.8mm MIDDLE TAB | C2600R-H | - | TINNED | 1 3 |
| 3 | 2.8mm SHORT TAB | C2600R-H | - | TINNED | 2 5 |
| 2 | JOINTER HOUSING TYPE A | NYLON 66 GF 50 | BLACK | - | 1 1 |
| 1 | HEADER HOUSING (81P) | NYLON 66 GF 50 | BLACK | - | 1 1 |
| 1 | HEADER HOUSING (121P) | NYLON 66 GF 50 | BLACK | - | 1 1 |

THIS DRAWING IS A CONTROLLED DOCUMENT.

DW: YH MK
CHK: KT LM
APV/D: HG CHD

TE Connectivity

NAME: BOSCH 121P HEADER ASSEMBLY

SIZE: A1 CAGE CODE: 00779 DRAWING NO: 2219100 RESTRICTED TO: A

MATERIAL: NYLON 66 GF 50 FINISH: BLACK

CUSTOMER DRAWING SCALE: 2:1 SHEET: 1 OF 1 REV: A

X-ON Electronics

Largest Supplier of Electrical and Electronic Components

Click to view similar products for [Automotive Connectors](#) category:

Click to view products by [TE Connectivity](#) manufacturer:

Other Similar products are found below :

[003-018-000](#) [60993906-B](#) [72.330.1035.1](#) [776880-1](#) [827153-1](#) [9-1326729-8](#) [9-221607-5](#) [925474-1](#) [928905-1](#) [964562-4](#) [968782-1](#) [12004468](#)
[12004475-L](#) [12004483](#) [12052466](#) [12066163](#) [12015909](#) [12077753](#) [1-21030-1](#) [12047957](#) [12047958](#) [12084688](#) [12185550](#) [12336-12](#) [1-](#)
[326211-1](#) [13681974](#) [13688972](#) [13755420](#) [13779834](#) [13783086](#) [13843152](#) [13522378](#) [13581967](#) [13669624](#) [13675513](#) [13753471](#) [13946876](#)
[13953457](#) [13955963](#) [13964573](#) [13971791](#) [13790534-L](#) [13797473](#) [13805590](#) [13888202](#) [1428188-1](#) [1437287-3](#) [1428188-2](#) [DS07-19S-5020](#)
[1456983-5](#)