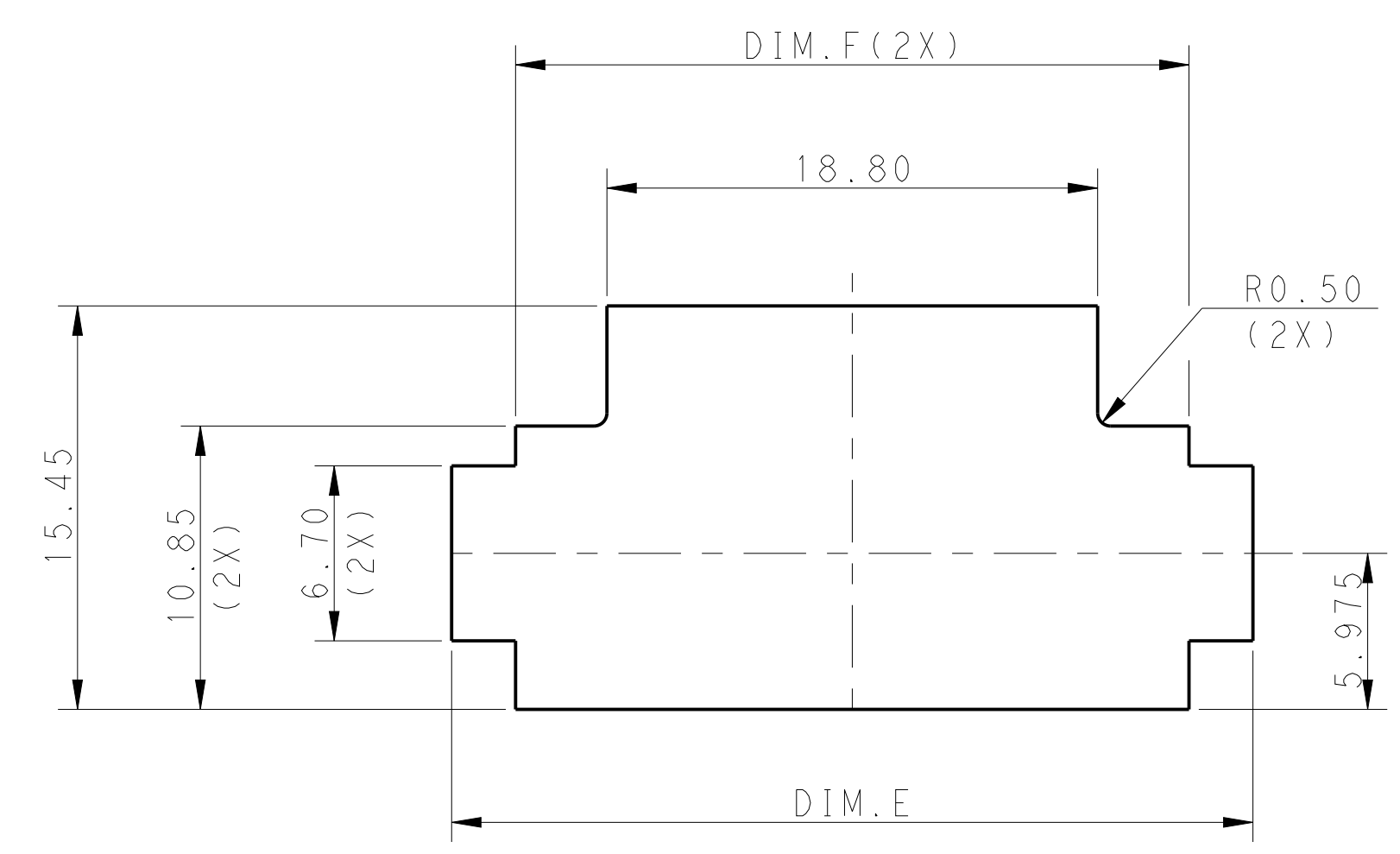
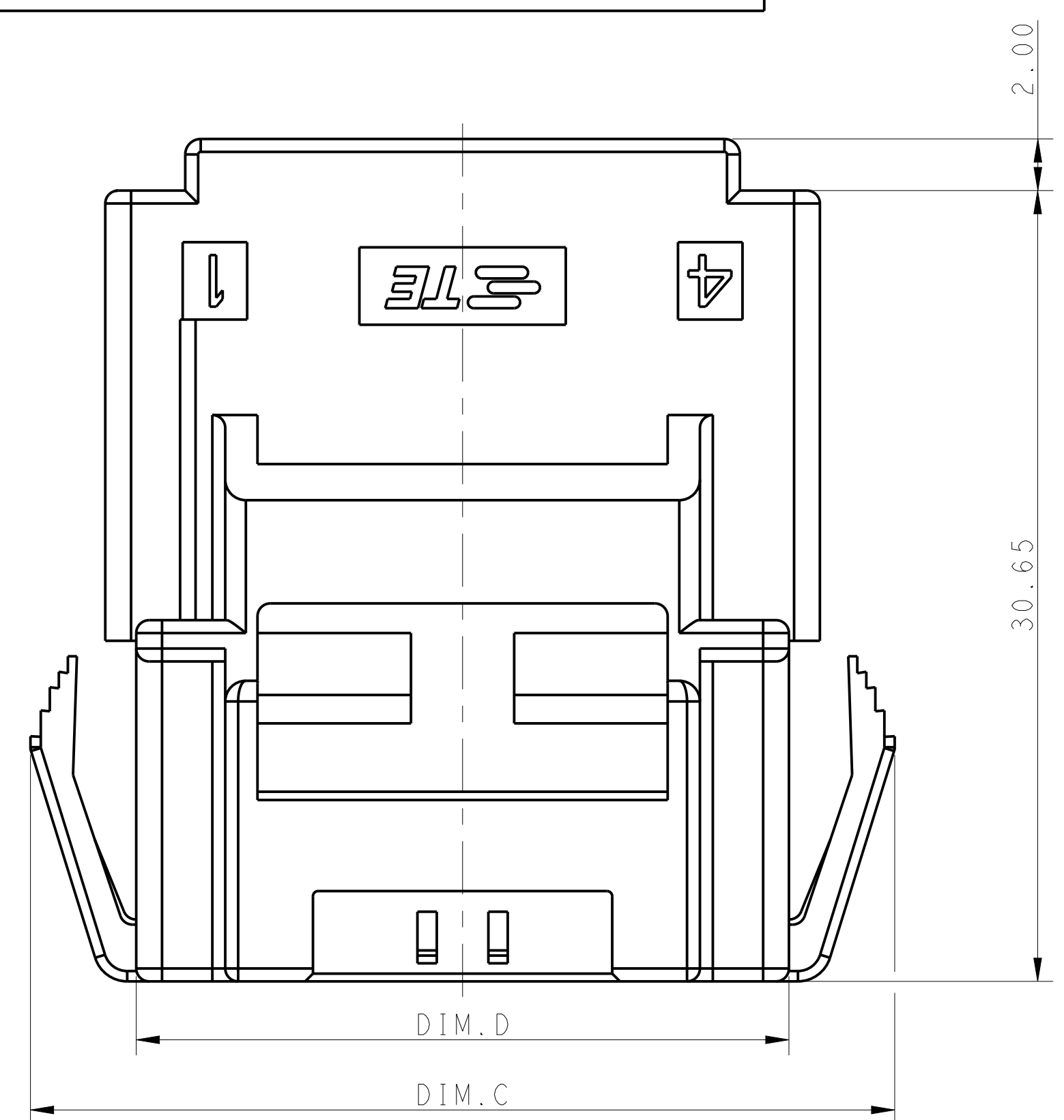
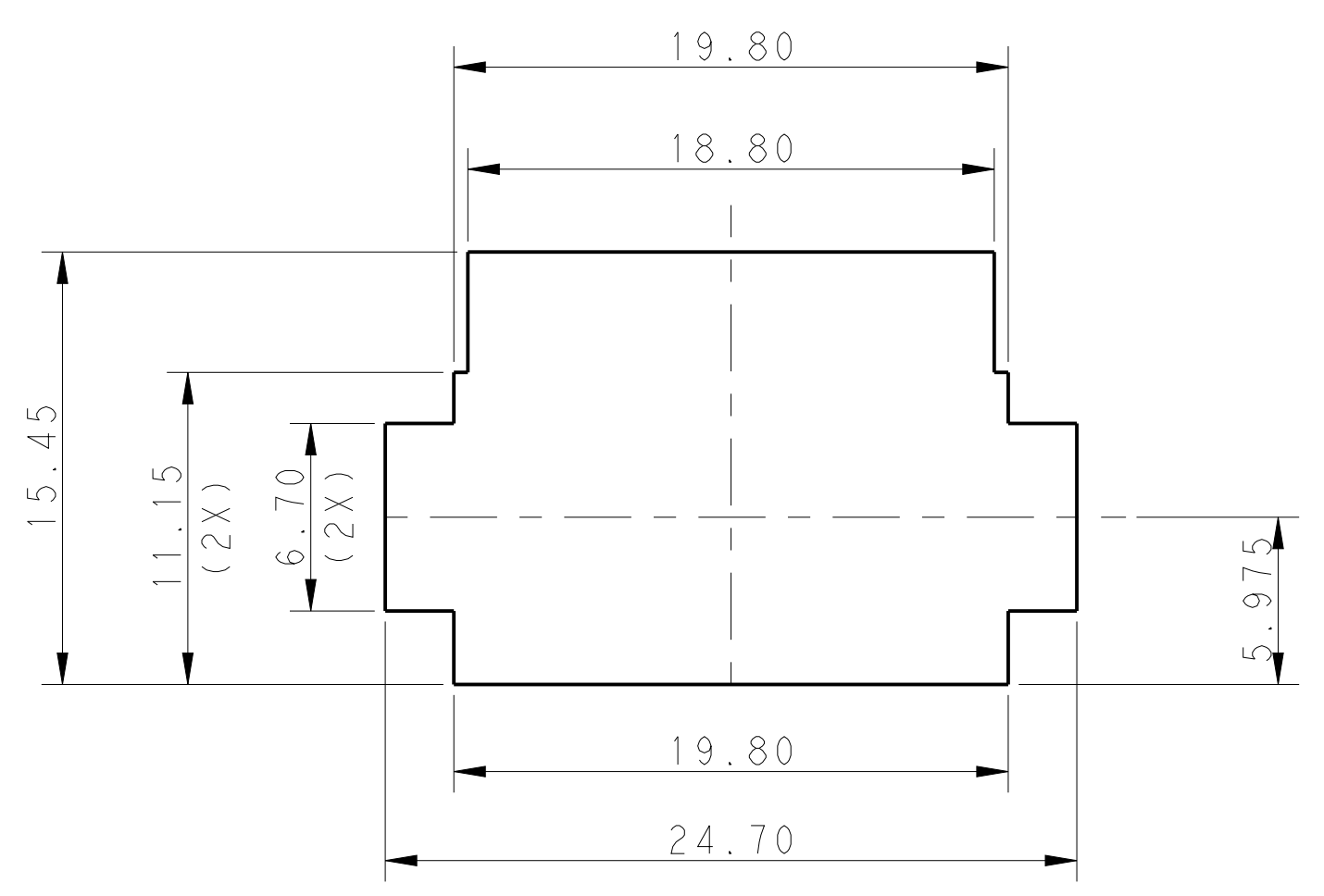
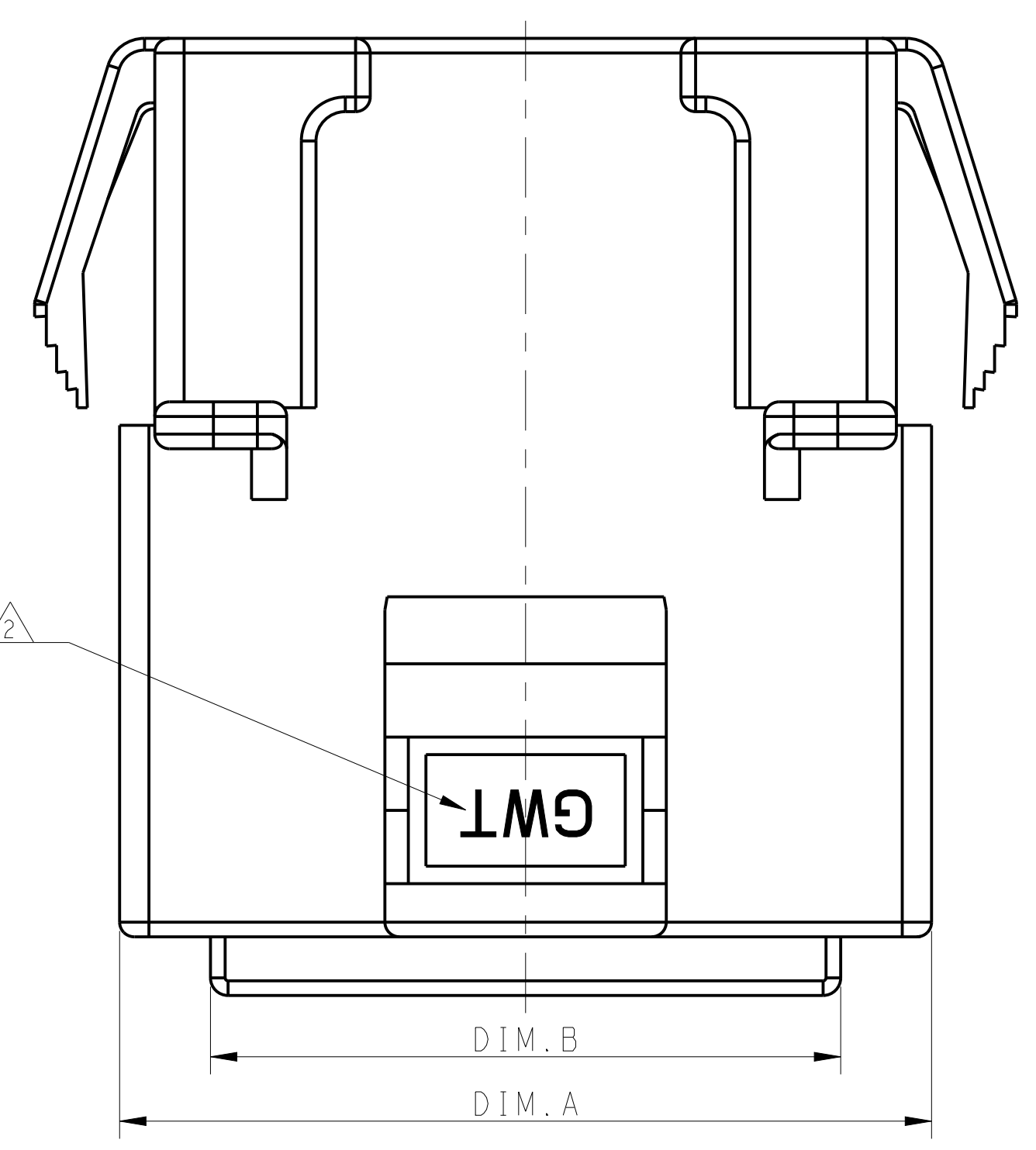
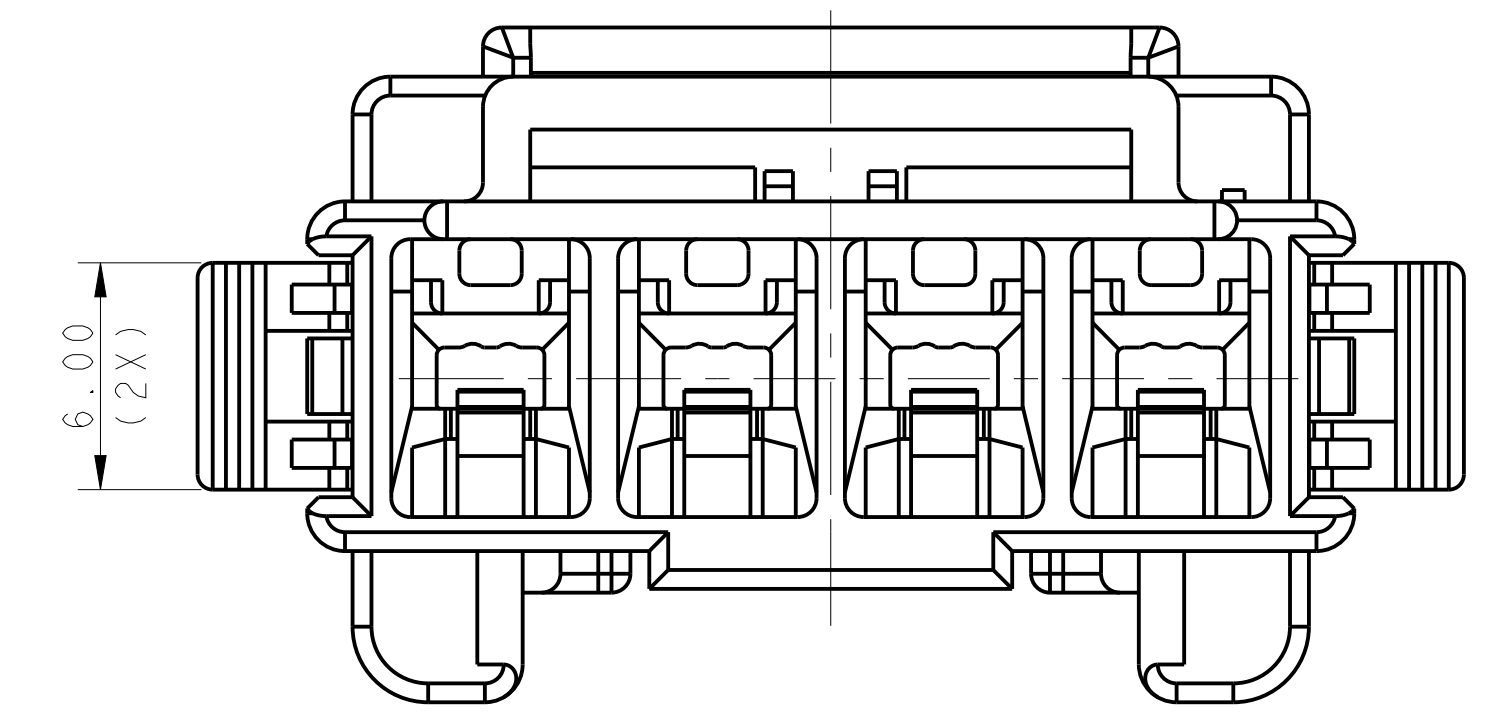
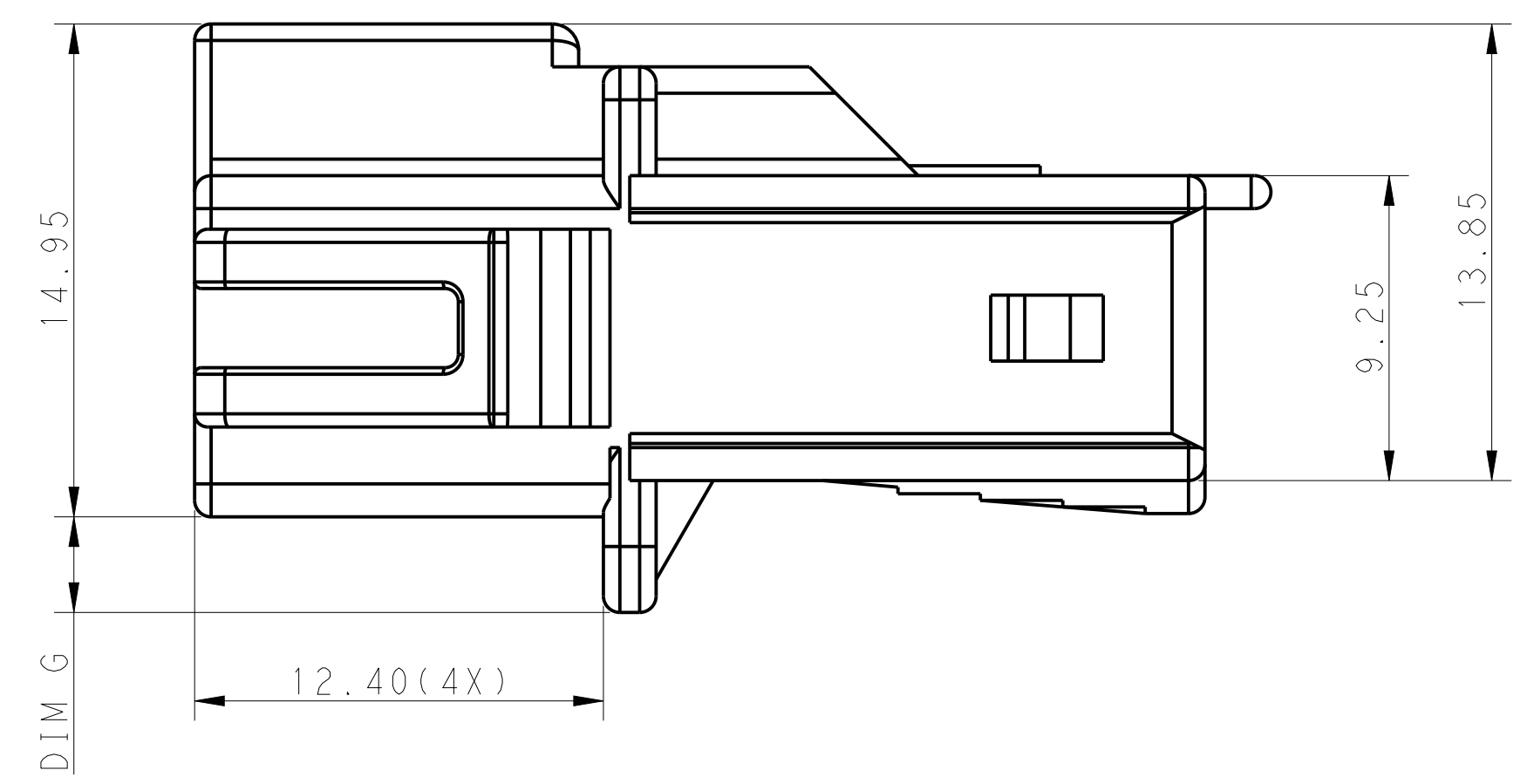
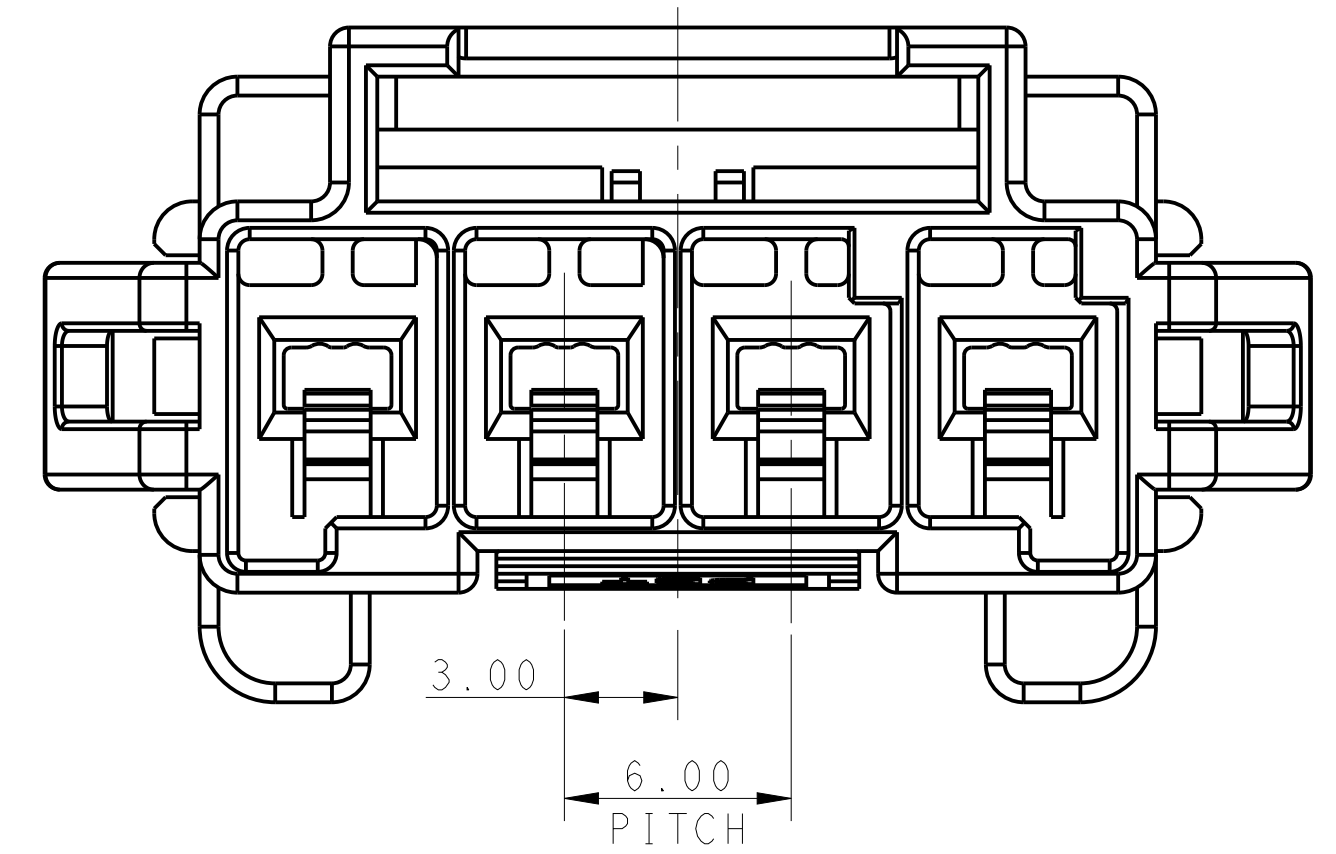


REVISIONS				
REV	DATE	DESCRIPTION	BY	CHK
F	08APR2021	REVISED PER ECR-21-100678	SS	VS

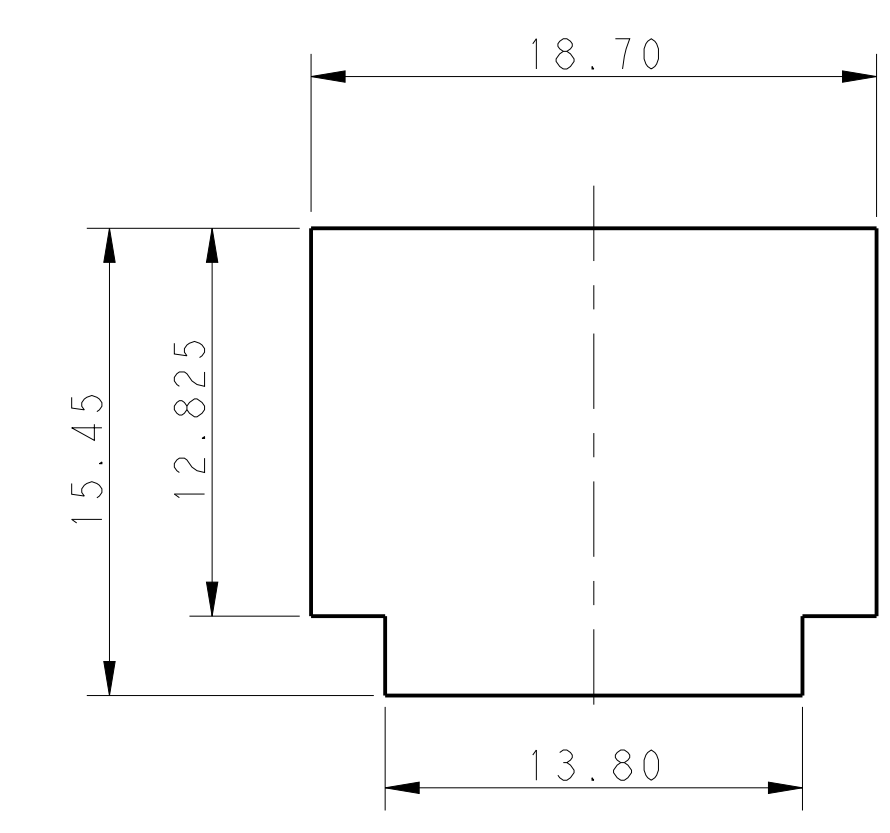


RECOMMENDED PANEL OPENING DIMENSIONS FOR CAP HOUSING 1*5 AND 1*4 POSITIONS (TOLERANCE: ±0.15mm)

- △ MATERIAL:
LEVEL A: PA6 GLASS FILLED, COMPLY WITH GLOW WIRE REQUIREMENTS FOR PARTS OF NON-METALLIC MATERIAL SUPPORTING A CURRENT-CARRYING CONNECTION DETAILED IN IEC 60335-1, SECTION 30 (GWT), UL 94V-0
LEVEL B: PBT GLASS FILLED, HOT WIRE IGNITION (HWI) VERSION ARE MOLDED IN A RESIN THAT COMPLIES WITH THE HOT WIRE IGNITION TEST 109-32026 AND ARE RECOMMENDED FOR USE WITH HWI HOUSINGS THAT ALSO COMPLY, UL 94V-0
- △ MATERIAL MARK:
LEVEL A: GWT, LEVEL B: HWT
- 3 APPLICABLE CONTACT P/N
TAB CONTACT: 1971238/1971780/1971782/1971784/1971786/1971788-*, 2238067-*
- 4 MATING CONN, P/N
PLUG HSG: *-2232265-
TPA (LOCK PLATE): *-1971777-*
- 5 RECOMMENDED PANEL THICKNESS: 1.0~2.0mm
- 6 LEVEL A MATERIAL IS SHOWN IN ALL VIEWS EXCEPT WHERE INDICATED BY NOTE 7.
- △ LEVEL B MATERIAL, KEY A AND B ONLY, THESE END KEYS ARE RECESSED.



RECOMMENDED PANEL OPENING DIMENSIONS FOR CAP HOUSING 1*3 POSITION (TOLERANCE: ±0.15mm)



RECOMMENDED PANEL OPENING DIMENSIONS FOR CAP HOUSING 1*2 POSITION (TOLERANCE: ±0.15mm)

POS	Dim. A	Dim. B	Dim. C	Dim. D	Dim. E	Dim. F	Dim. G
1*5	33.70	27.50	39.5	31.30	36.70	31.80	2.9
1*4	27.70	21.50	33.5	25.30	30.70	25.80	2.9
1*3	21.70	15.50	27.5	19.30			2.5
1*2	15.70	9.50	21.5	13.30			1.1

THIS DRAWING IS A CONTROLLED DOCUMENT.

DIMENSIONS:	TOLERANCES UNLESS OTHERWISE SPECIFIED:	DATE: 26MAR2013	CHK: TOMMY WU
mm	0 PLC ±0.15	DATE: 26MAR2013	CHK: HAPYE WU
	1 PLC ±0.35	DATE: 26MAR2013	CHK: YUHONG MAO
	2 PLC ±0.25	DATE: 26MAR2013	CHK: HAPYE WU
	3 PLC ±0.20	DATE: 26MAR2013	CHK: HAPYE WU
	4 PLC ±0.15	DATE: 26MAR2013	CHK: HAPYE WU
	ANGLES ±0.1	DATE: 26MAR2013	CHK: HAPYE WU
	FINISH	DATE: 26MAR2013	CHK: HAPYE WU

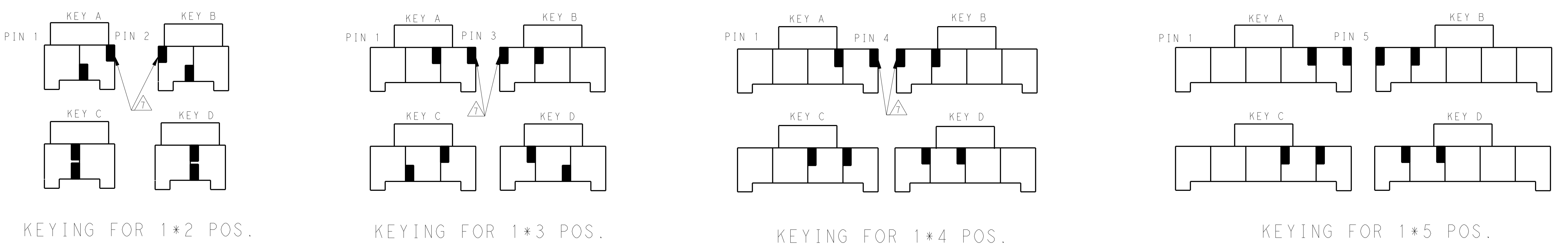
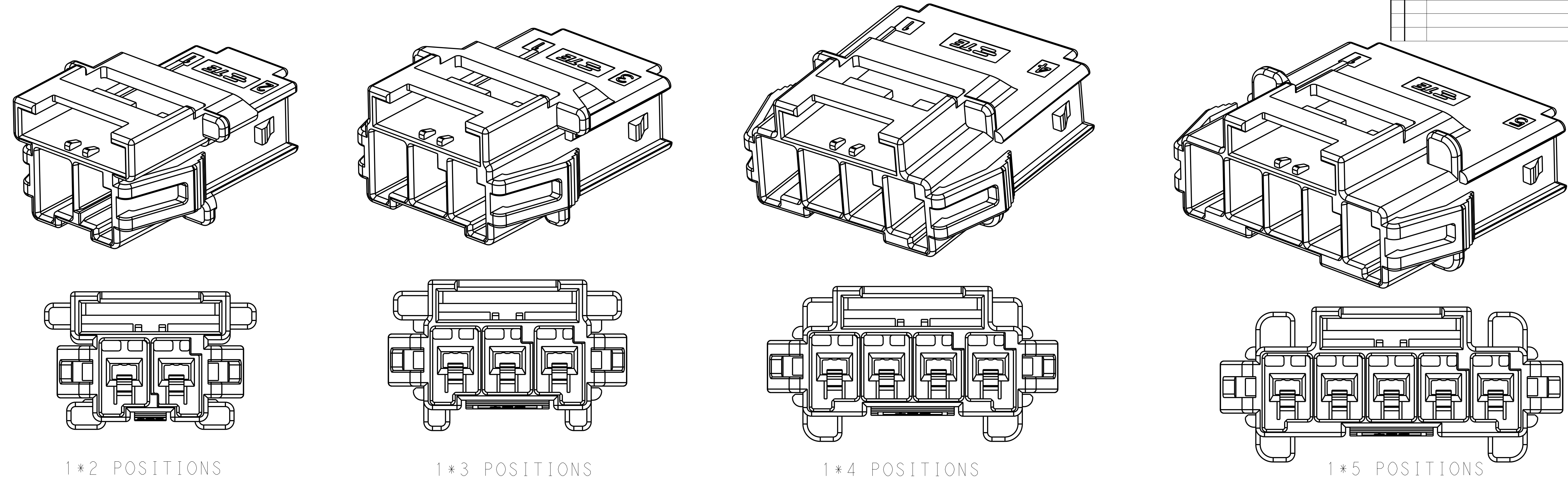
TE Connectivity

NAME: CAP HOUSING, PANEL MOUNT, SINGLE ROW POWER TRIPLE LOCK

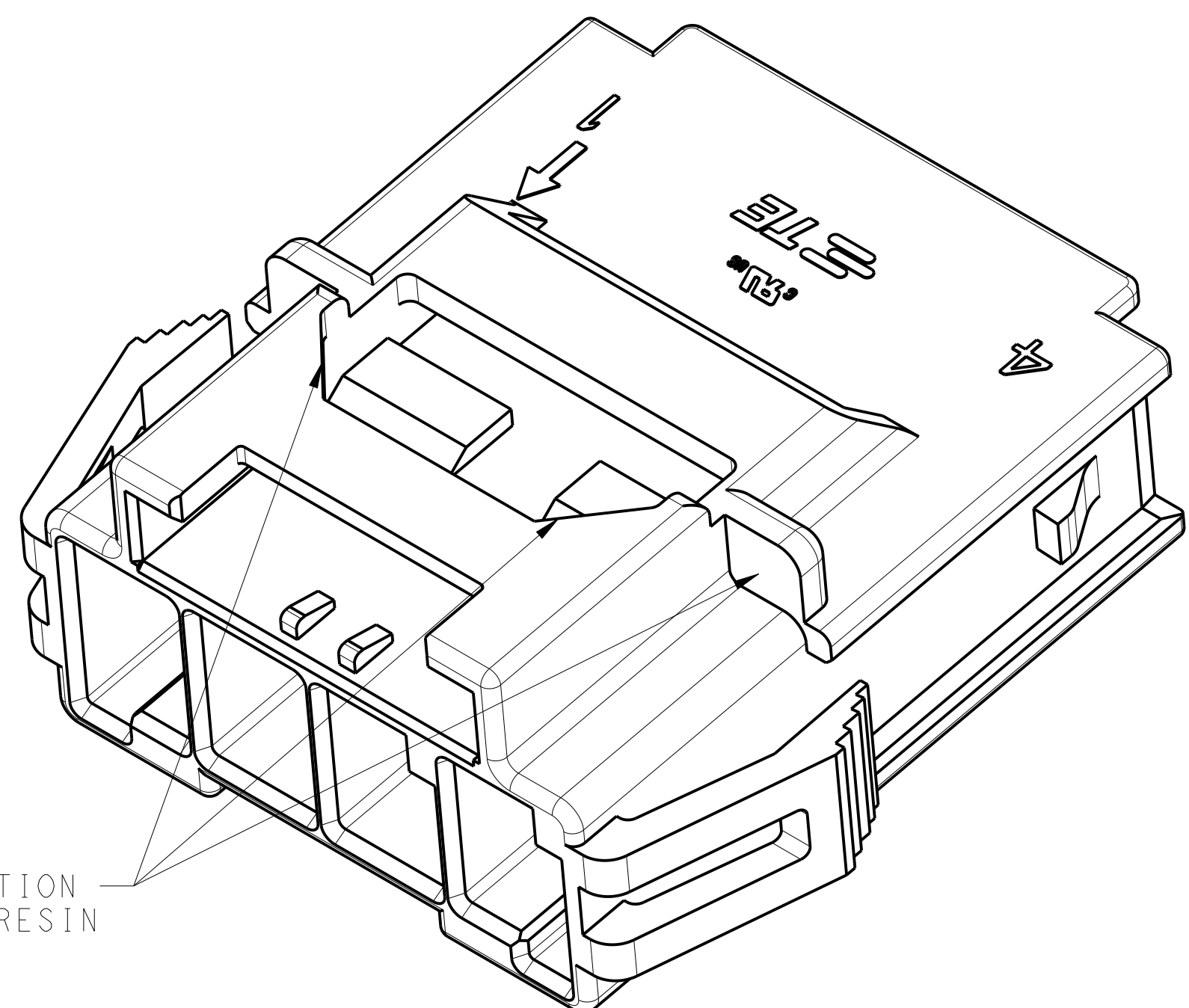
SIZE: A100779 C=2232263

SCALE: 5:1 SHEET 1 OF 2 REV F

REVISIONS				
P.	LTN	DESCRIPTION	DATE	OWN APVD
-	-	SEE SHEET 1	-	-



POS.	MATERIAL	COLOR	KEY	P/N
1*5	LEVEL A	DARK GREY	KEY A	5-2232263-7
		BROWN	KEY B	6-2232263-7
		GREEN	KEY C	7-2232263-7
		ORANGE	KEY D	8-2232263-7
1*4	LEVEL B	BLACK	KEY A	1-2232263-3
		DARK GREY	KEY A	5-2232263-4
		BROWN	KEY B	6-2232263-4
		GREEN	KEY C	7-2232263-4
1*3	LEVEL A	ORANGE	KEY D	8-2232263-4
		BLACK	KEY A	1-2232263-2
		DARK GREY	KEY A	5-2232263-3
		BROWN	KEY B	6-2232263-3
1*2	LEVEL B	GREEN	KEY C	7-2232263-3
		ORANGE	KEY D	8-2232263-3
		DARK GREY	KEY A	5-2232263-2
		BROWN	KEY B	6-2232263-2
1*2	LEVEL A	GREEN	KEY C	7-2232263-2
		ORANGE	KEY D	8-2232263-2
		NATURAL	KEY B	2-2232263-1
		BLACK	KEY A	1-2232263-1



THIS DRAWING IS A CONTROLLED DOCUMENT.		OWN TOMMY WU 26MAR2013	TE Connectivity
DIMENSIONS: mm		CHK HAPYE WU 26MAR2013	
TOLERANCES UNLESS OTHERWISE SPECIFIED:		APVD YUZHONG MAO 26MAR2013	NAME CAP HOUSING, PANEL MOUNT, SINGLE ROW POWER TRIPLE LOCK
0 PLC ±.10		PRODUCT SPEC 108-106118	
1 PLC ±0.35		APPLICATION SPEC 114-106118	SIZE CAGE CODE DRAWING NO. RESTRICTED TO A100779C=2232263
2 PLC ±0.25		WEIGHT	
3 PLC ±0.20		FINISH	SCALE SHEET 2 OF 2 REV F
4 PLC ±.15		ANGLES	
MATERIAL		Customer Drawing	

X-ON Electronics

Largest Supplier of Electrical and Electronic Components

Click to view similar products for [Heavy Duty Power Connectors](#) category:

Click to view products by [TE Connectivity](#) manufacturer:

Other Similar products are found below :

[647757-1](#) [6643411-1](#) [6646058-2](#) [6646137-1](#) [6646138-1](#) [6646479-1](#) [6646608-1](#) [6646786-1](#) [6646940-1](#) [6651091-1](#) [6651525-1](#) [6651529-1](#)
[6651788-1](#) [696475-1](#) [702-32-01109](#) [703-25-02205](#) [73000005059](#) [73000005642](#) [73080255059](#) [73080965046](#) [765-15-0080A](#) [765-16-0080B](#)
[765-18-0080D](#) [829992-1](#) [902-77-02113](#) [PS00/A0620/6300](#) [PS25/A0420/63](#) [129-1J](#) [1409400](#) [AN0024023](#) [E6374G1](#) [e6389g2](#) [157-43GW8](#)
[MS3117-14AC](#) [1643543-1](#) [1650540-1](#) [1651811-2](#) [1766260-1](#) [1766282-1](#) [1766966-1](#) [1791340000](#) [NLDFT-3-BL-L-S120-M40A](#) [NLDFT-N-](#)
[W-L-C240-M40B](#) [NLS-2-R-C240-M40B](#) [NLS-N-W-C240-M40B](#) [NPS-3-BL-T6](#) [1986615-1](#) [2-1589900-8](#) [2199314-1](#) [KA8102](#)