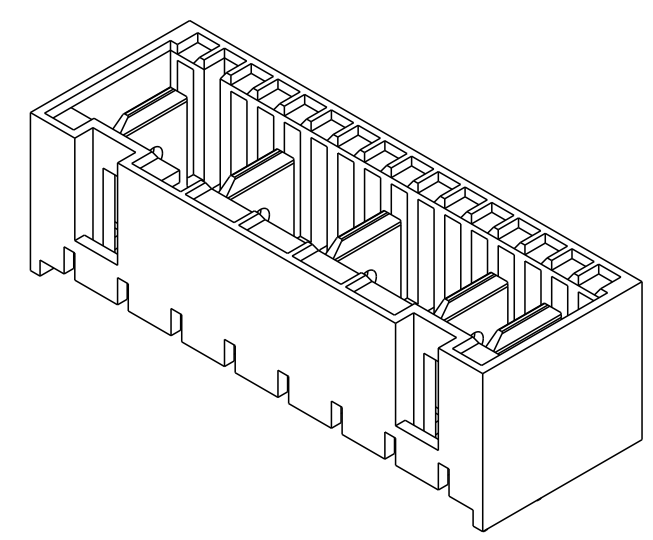
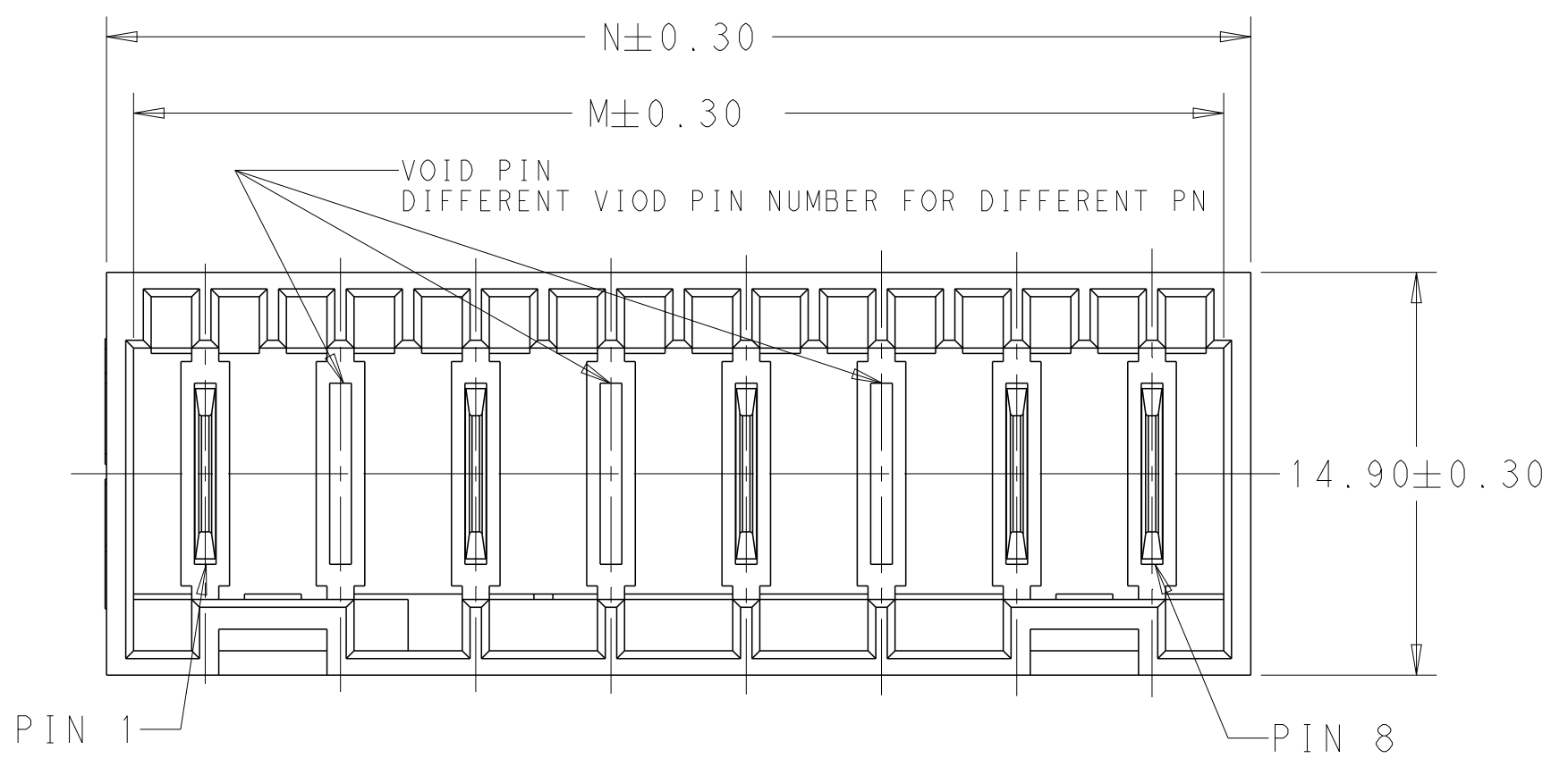
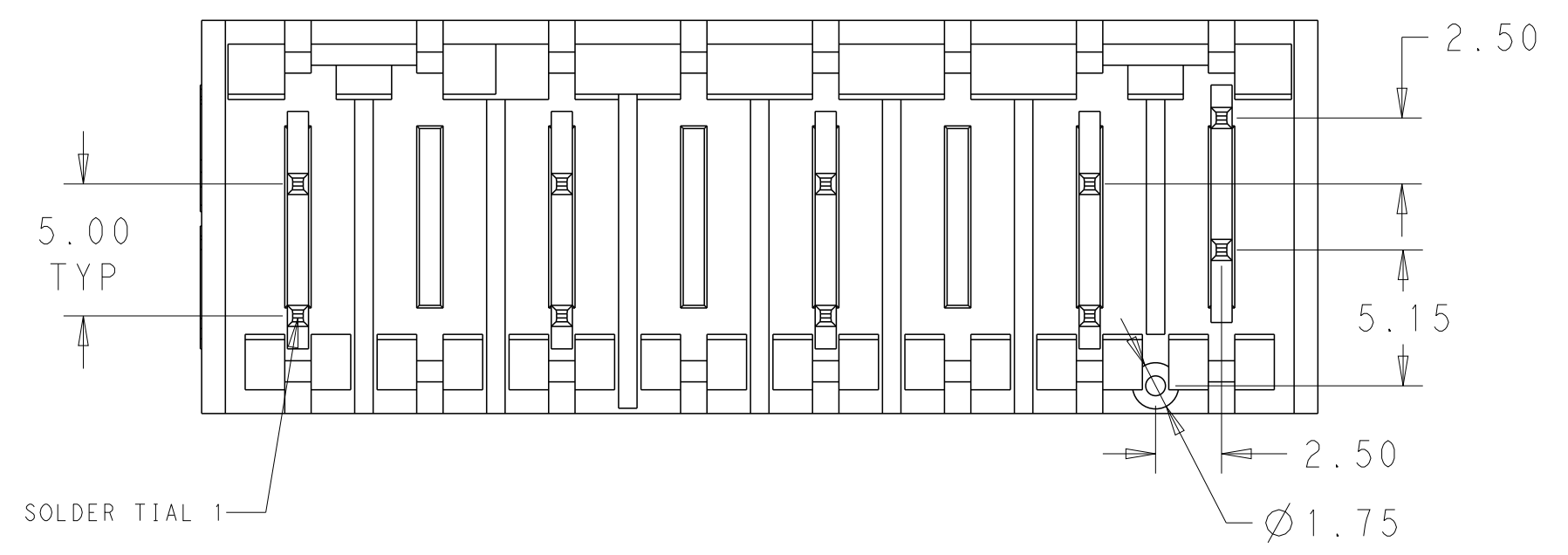
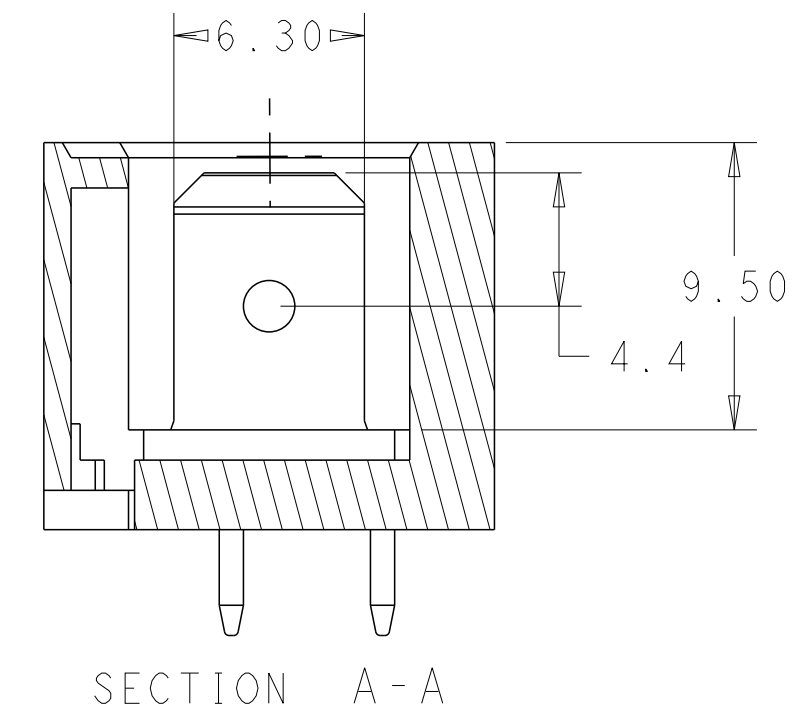
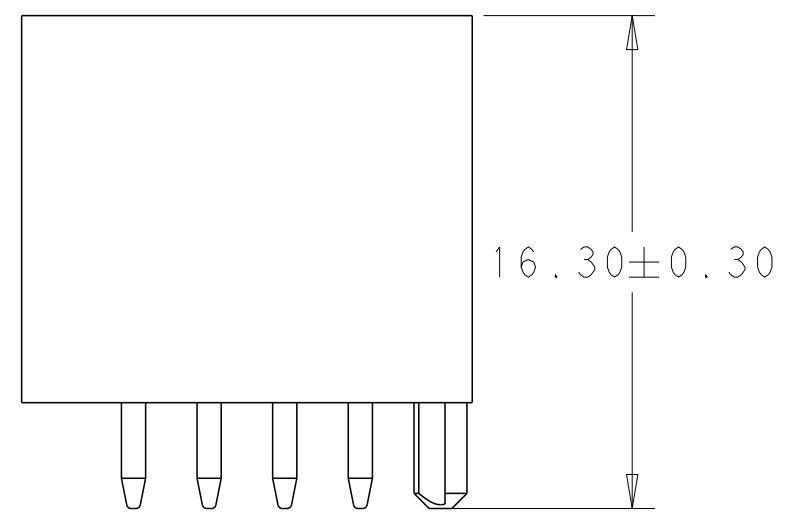
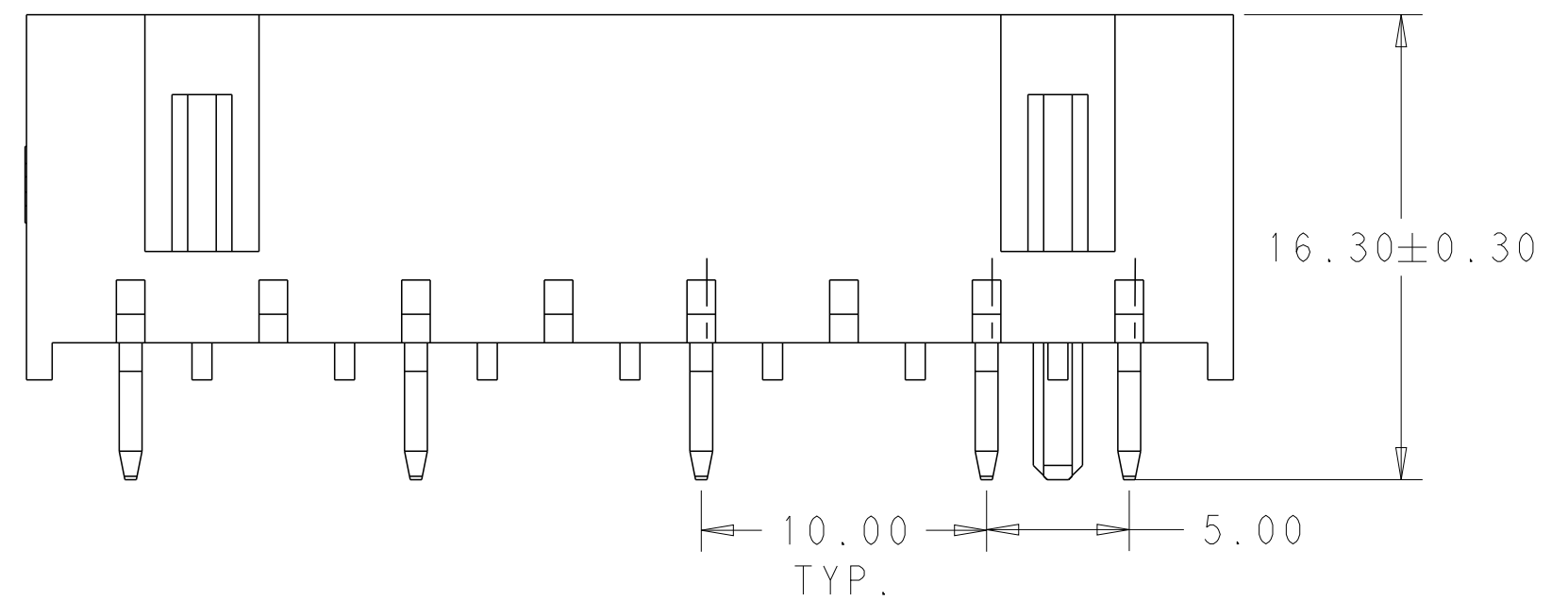


THIS DRAWING IS UNPUBLISHED. RELEASED FOR PUBLICATION 20
 © COPYRIGHT 20 BY - ALL RIGHT REVERSED ALL RIGHTS RESERVED.

LOC		DIST		REVISIONS			
P	LTR	DESCRIPTION		DATE	DWN	APVD	
A14	ECR-17-017719			12DEC2017	LZ	RR	
A15	ECR-18-009822			11JULY2018	LZ	FL	
A16	ECR-18-012841			13AUG2018	WW	FL	
A17	ECR-19-010996			12JUL2019	SM	WW	



- HOUSING HAS RAST 5 COMPLIANT KEYING LATCHING, AND POLARIZATION, TAB IS 6.30 x 0.8mm ACCORDING TO DIN 46224;
 - MATERIAL: HOUSING NYLON, UL94 V0, 750 °C GWT NO FLAME;
 - FINISH: CONTACTS, TIN PLATING OVERALL , NICKEL UNDER-PLATING;
 - PACKING: LOOSE PIECE OR TUBE. THE PART NUMBER IN THIS DRAWING ARE WITH LOOSE PIECE PACKING. PLEASE CONTACT TE SALES REPRESENTATIVES FOR TUBE PACKING REQUIREMENT.
- 5 PRELIMINARY, NOT FOR PRODUCTION.
- 6 MATERIAL: HOUSING PA66,UL94 V0 PRODUCT COMPLY WITH GLOW WIRE REQUIREMENTS FOR PARTS OF NON-METALLIC MATERIAL SUPPORTING A CURRENT-CARRYING CONNECTION DETAILED IN IEC 60335-1, SECTION 30 (GWT).
- 7 FINISH:CONTACT, SILVER PLATING OVERALL, NICKEL UNDER-PLATING.
- 8 SPECIAL VERSION: SHORT PEG DESIGN, DETAIL IN SHEET 3



42.30	40.30	8
37.30	35.30	7
32.30	30.30	6
27.30	25.30	5
22.30	20.30	4
17.30	15.30	3
12.30	10.30	2
N	M	NO.OF POS.

THIS DRAWING IS A CONTROLLED DOCUMENT.

DWN: B.P. APR162013
 CHK: F.M. APR162013
 APVD: APR162013

TE Connectivity

NAME: RAST 5 TAB HEADER ASSY
 DIN STYLE, TH, VERTICAL

PRODUCT SPEC: 108-106080

APPLICATION SPEC: -

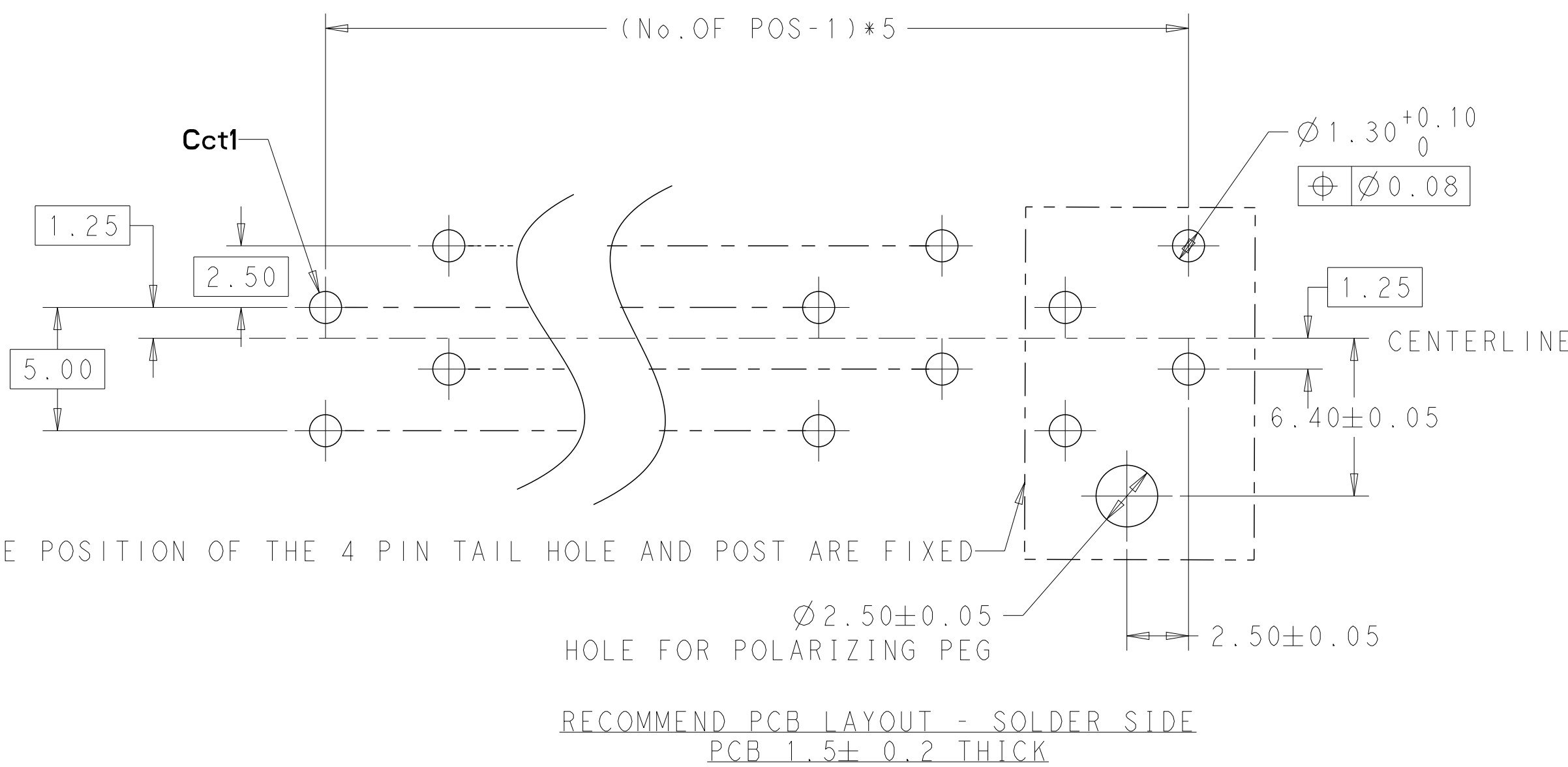
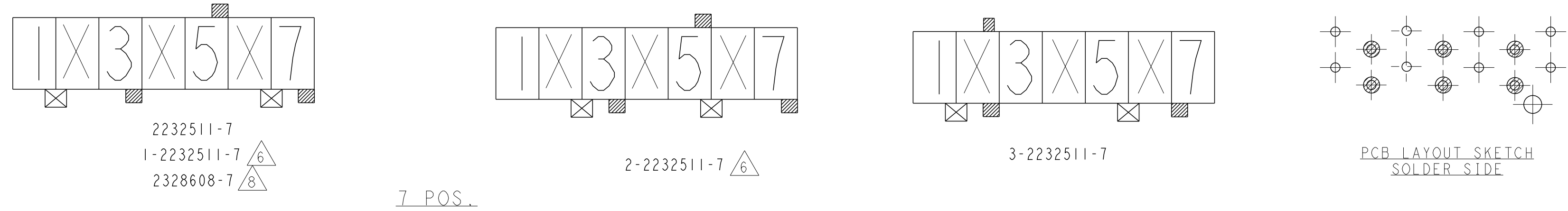
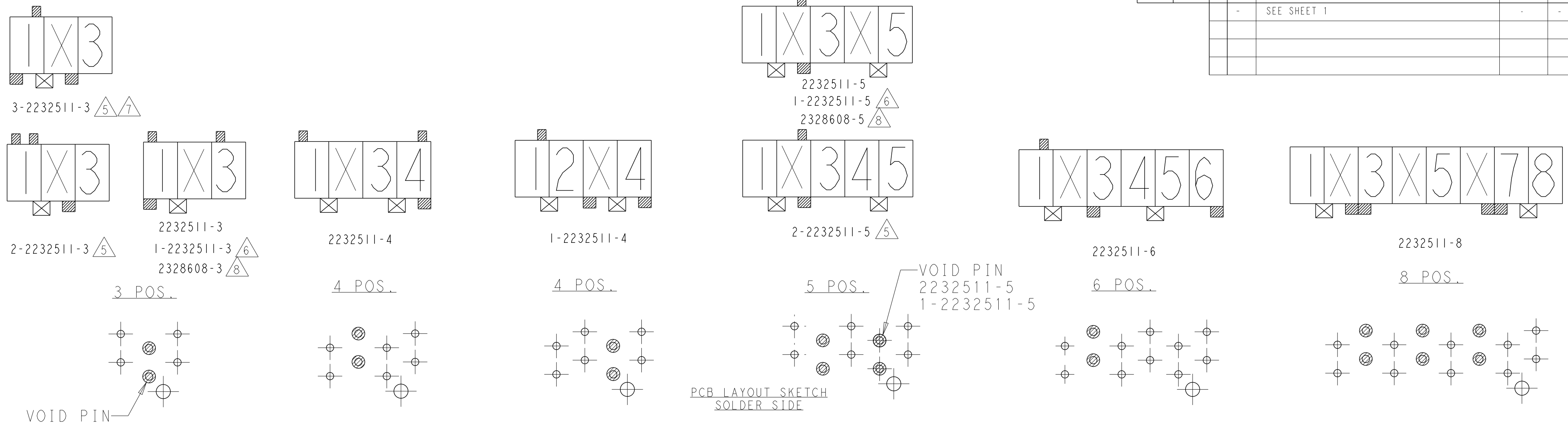
SIZE: A2 CAGE CODE: 00779 DRAWING NO: C-2232511 RESTRICTED TO: -

MATERIAL: - FINISH: - WEIGHT: -

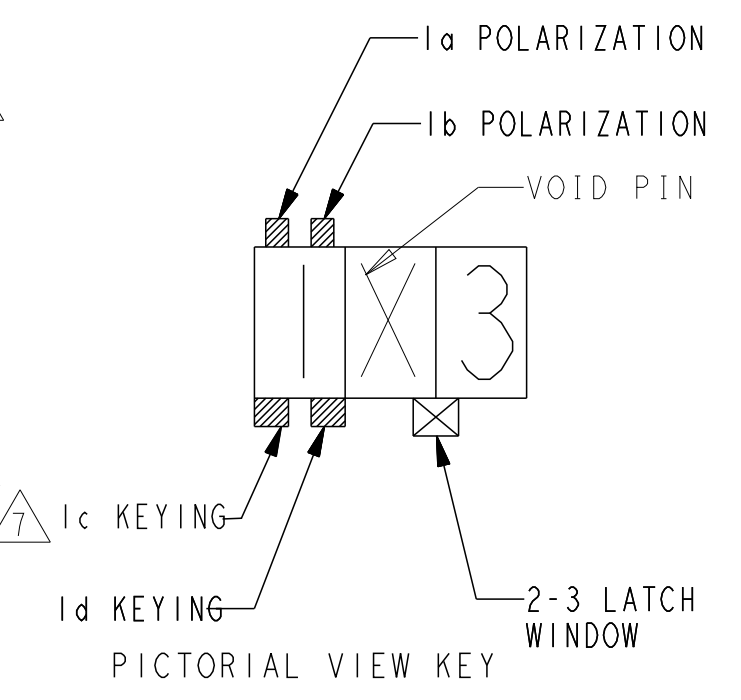
CUSTOMER DRAWING SCALE: 4:1 SHEET: 1 OF 3 REV: A17

THIS DRAWING IS UNPUBLISHED. RELEASED FOR PUBLICATION 20
 © COPYRIGHT 20 BY - ALL RIGHT REVERSED ALL RIGHTS RESERVED.

LOC		DIST		REVISIONS			
P	LTR	DESCRIPTION	DATE	DWN	APVD		
-	-	SEE SHEET 1	-	-	-		



NATURE	NO. OF POS.	PART NUMBER
	8	2232511-8
	7	3-2232511-7
	7	2-2232511-7
	7	1-2232511-7
	7	2232511-7
	6	2232511-6
	5	2-2232511-5
	5	1-2232511-5
	5	2232511-5
	4	1-2232511-4
	4	2232511-4
	3	3-2232511-3
	3	2-2232511-3
	3	1-2232511-3
	3	2232511-3



COLOR	NO. OF POS.	PART NUMBER
THIS DRAWING IS A CONTROLLED DOCUMENT.		
DWN	B.P	APR162013
CHK	-	24SEP2013
APVD	-	24SEP2013
DIMENSIONS: mm		TOLERANCES UNLESS OTHERWISE SPECIFIED:
0 PLC	±	
1 PLC	±0.5	
2 PLC	±0.13	
3 PLC	±0.013	
4 PLC	±0.0001	
MATERIAL		FINISH
-		-
PRODUCT SPEC		108-106080
APPLICATION SPEC		-
WEIGHT		-
CUSTOMER DRAWING		SCALE 4:1 SHEET 2 OF 3 REV A17



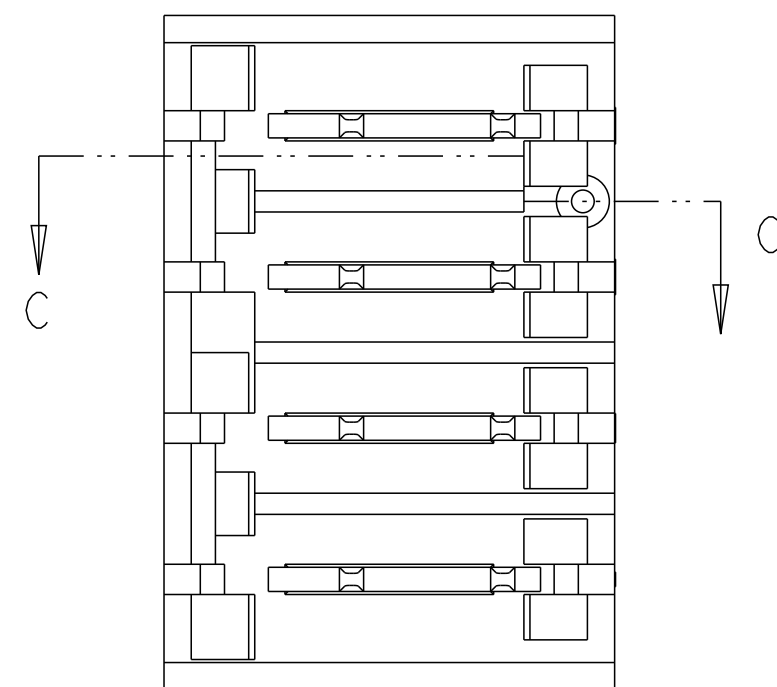
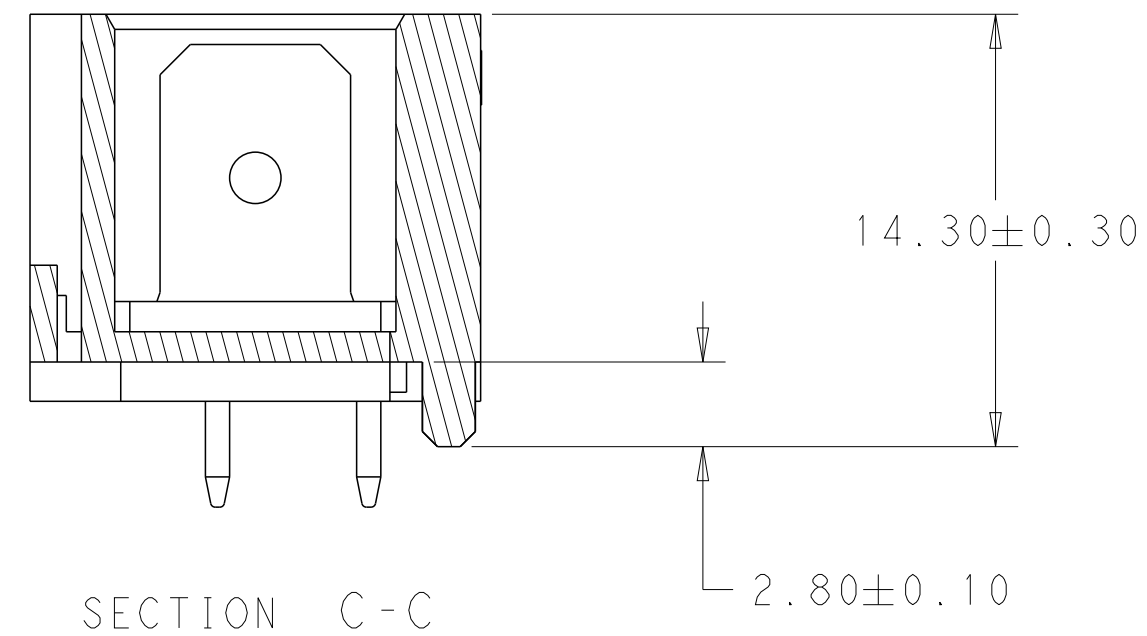
NAME RAST 5 TAB HEADER ASSY
 DIN STYLE, TH, VERTICAL

SIZE	CAGE CODE	DRAWING NO	RESTRICTED TO
A2	00779	C-2232511	

THIS DRAWING IS UNPUBLISHED. RELEASED FOR PUBLICATION 20
 © COPYRIGHT 20 BY - ALL RIGHT REVERSED ALL RIGHTS RESERVED.

LOC		DIST		REVISIONS			
P	LTR	DESCRIPTION	DATE	DWN	APVD		
-	-	SEE SHEET 1	-	-	-		

△ SPECIAL VERSION: SHORT PEG DESIGN



OTHER DIMENSIONS SEE SHEET 1
 KEYING SEE SHEET 2

NATURE	7	2328608-7
	5	2328608-5
	3	2328608-3
COLOR	NO. OF POS.	△ PART NUMBER

THIS DRAWING IS A CONTROLLED DOCUMENT.		DWN B.P	APR162013	STE TE Connectivity	
DIMENSIONS: mm		CHK F.M	APR162013		
TOLERANCES UNLESS OTHERWISE SPECIFIED:		APVD -	APR162013	NAME RAST 5 TAB HEADER ASSY DIN STYLE, TH, VERTICAL	
0 PLC ± 1 PLC ±0.5 2 PLC ±0.25 3 PLC ±0.013 4 PLC ±0.0001 ANGLES ±		PRODUCT SPEC 108-106080		SIZE CAGE CODE DRAWING NO	
MATERIAL		APPLICATION SPEC		RESTRICTED TO	
FINISH		WEIGHT		A200779 C-2232511	
-		CUSTOMER DRAWING		SCALE 4:1 SHEET 3 OF 3 REV A17	

X-ON Electronics

Largest Supplier of Electrical and Electronic Components

Click to view similar products for [Headers & Wire Housings](#) category:

Click to view products by [TE Connectivity](#) manufacturer:

Other Similar products are found below :

[95000-104TRLF](#) [10135584-644402LF](#) [DF62W-EP2022PCA](#) [95000-106TRLF](#) [DF62W-2022SCA](#) [DF62W-EP2022PC](#) [2203348](#) [DF62W-2022SC](#) [1084018](#) [1029039](#) [1084017](#) [802-10-012-10-002000](#) [1112640](#) [1112639](#) [891-007-9SS-BST1T](#) [000-34000](#) [0008550134](#) [0009482033](#) [0009507031](#) [57102-F02-18ULF](#) [57102-S06-03LF](#) [57202-S52-04LF](#) [PCN6-15S-2.5E](#) [0039019024](#) [58102-G61-06LF](#) [582553-1](#) [0009485154](#) [0009508121](#) [0022285053](#) [0050291907](#) [018731A](#) [LY20-4P-DT1-P1E-BR](#) [02.125.8002.8](#) [60101931](#) [60598-1 \(Cut Strip\)](#) [M1625-3R/100](#) [61062-3](#) [61082-181009](#) [CSU011177004](#) [636-1427](#) [638009-1](#) [641938-9](#) [641991-4](#) [644168-1](#) [644827-2](#) [647662-1](#) [65039-019ELF](#) [65692-001LF](#) [65781-018](#) [65781-047](#)