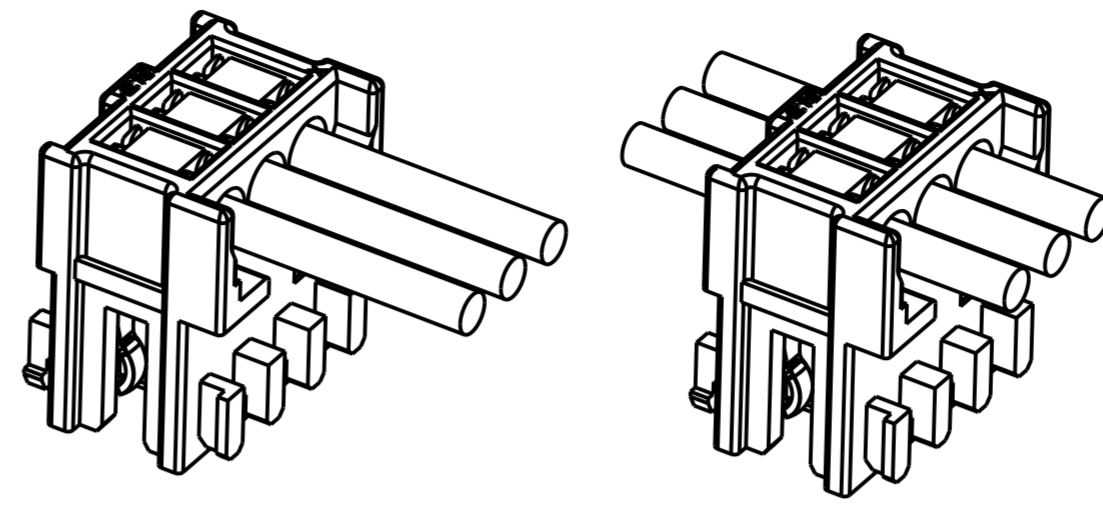
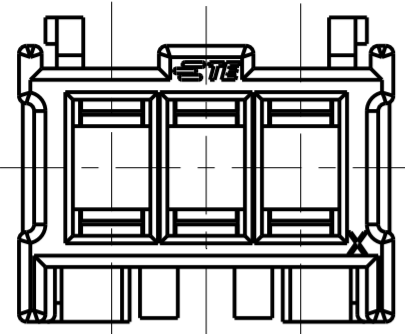
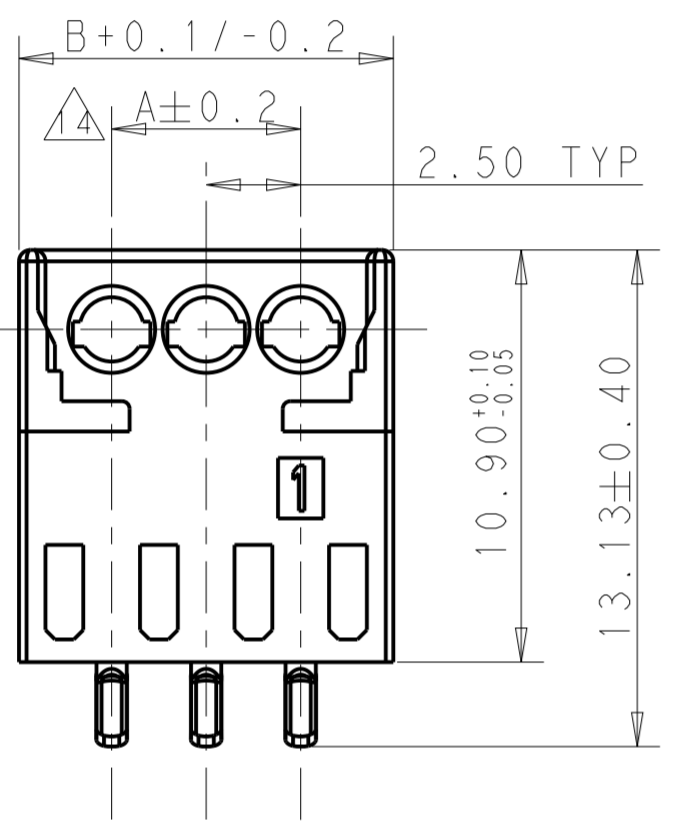


THIS DRAWING IS UNPUBLISHED. RELEASED FOR PUBLICATION
 © COPYRIGHT copyright dbTe- ALL RIGHTS RESERVED.

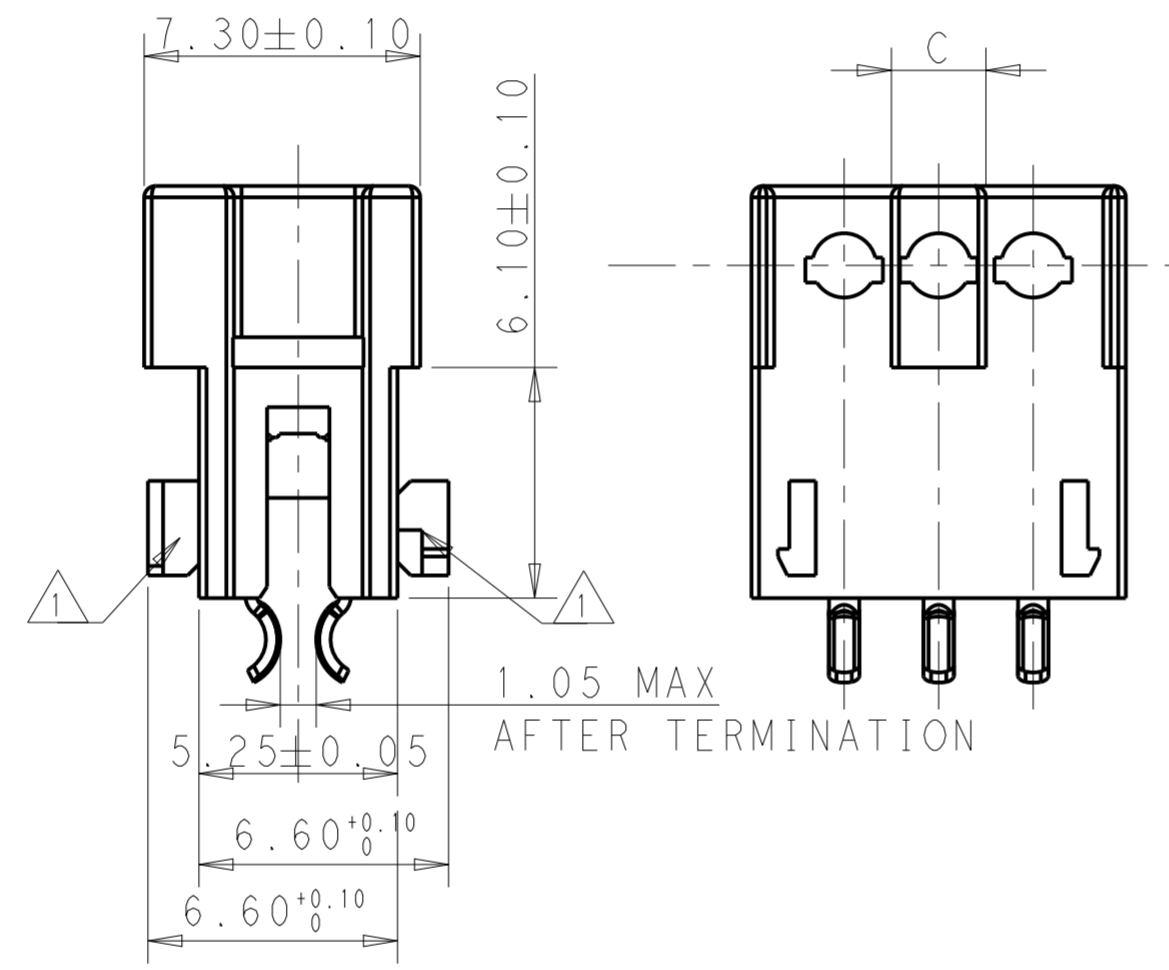
REVISIONS				
P	LTR	DESCRIPTION	DATE	APVD
C		ECR-21-101119	26MAY2021	WW FL



TERMINATED STATUS

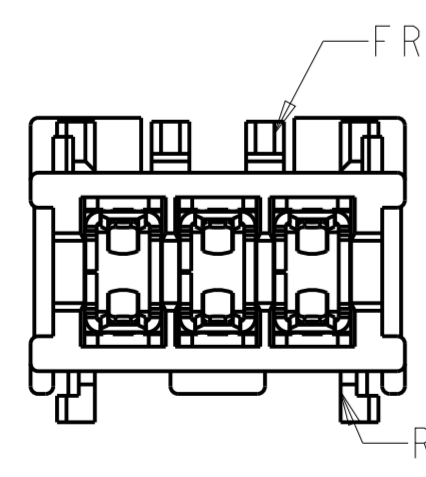
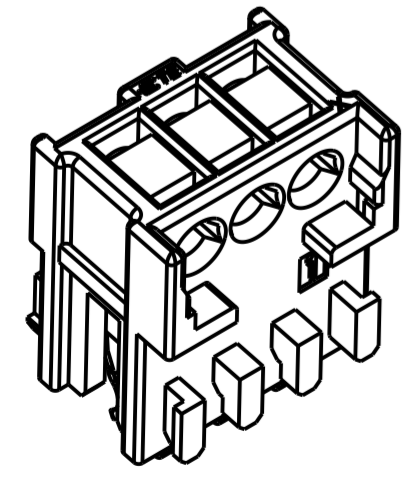


KEYING OPTION A AS SHOWN



OPTION B
 FRONT KEYING ONLY
 CLOSING ON FRONT

- 1 KEYING RIBS: POSSIBLE TO BE CUT WITH TERMINATION MACHINE
 - 2. MATING PART: PCB OR TAB HEADER ACC. RAST 2.5 STANDARD
 - 3. HOUSING: NYLON, IEC 60335-1 GLOW WIRE TEST 750°C WITHOUT FLAME
 CONTACT: COPPER ALLOY WITH TIN PLATED
 - 4. WIRE RANGE 0.22~0.35MM², INSULATION RANGE 1.2~1.6 MM
 - 5 KEYING RIBS BETWEEN CAVITY NO.. SEE TABLE
 - 6 TWO KEYING OPTIONS ARE AVAILABLE, THE DIMENSIONS FOR THE TWO OPTIONS ARE THE SAME EXCEPT THAT THE OPTION B HAS ONLY THE FRONT KEYING AND CLOSED FRONT OF HOUSING
 - 7. FULLY LOADED AND SELECTIVELY LOADED VERSIONS ARE AVAILABLE
 - 8 X.. CAVITY LOADED WITH CONTACT
 O.. CAVITY WITHOUT CONTACT
 - 9 KEYING CONFIGURATION SEE PAGE 5, IF NO DETAIL KEYING CONFIGURATION SHOWN TO A PN, THEN NO NEED TO CUT ANY KEYING ON THIS PN
 - 10. THE SCRATCHES ON THE HOUSING DUE TO THE BARBS OF THE CONTACT ARE ACCEPTABLE, DETAIL PICTURES PLEASE SEE THE SEPC 114-106198.
- 1 PRELIMINARY PART NOT RELEASED FOR PRODUCTION
 - 2 THE PART NUMBER IS WITH LOOSE PIECE AND PACKAGED WITH TUBE
 - 3 THE PART NUMBER IS WITH CHAIN CONNECTION
 - 4 DIMENSION "A" IS FROM FIRST HOLE TO LAST HOLE IN THE HOUSING
 - 5 PNs WITH BLACK HOUSING, OTHERS ARE WITH NATURAL HOUSING



FRONT KEYING

REAR KEYING

OPTION A
 FRONT KEYING + REAR KEYING
 OPENING ON FRONT

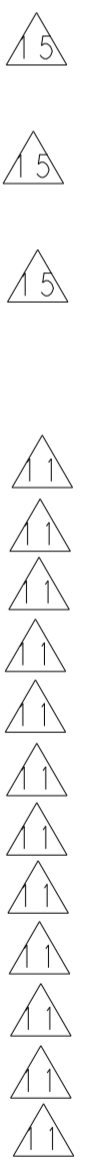
KEYING OPTIONS

THIS DRAWING IS A CONTROLLED DOCUMENT.		DWN 09 JUN 2015 Winter Wang	TE Connectivity	
DIMENSIONS: mm		CHK 09 JUN 2015 Daniel Zhang		
TOLERANCES UNLESS OTHERWISE SPECIFIED:		APVD 09 JUN 2015 Riccardo Robone	NAME Customer Drawing	
0 PLC ±0.4		PRODUCT SPEC 108-106198	MONOPLUG 2.5 CONNECTOR	
1 PLC ±0.3		APPLICATION SPEC 114-106198	SIZE A2	CAGE CODE -
2 PLC ±0.2		WEIGHT -	DRAWING NO. C-2232884	RESTRICTED TO -
3 PLC ±		CUSTOMER DRAWING	SCALE 5:1	SHEET 1 OF 4
4 PLC ±				REV C
ANGLES ±				
FINISH ±				

THIS DRAWING IS UNPUBLISHED. RELEASED FOR PUBLICATION
 © COPYRIGHT copyright.dBte ALL RIGHTS RESERVED.

REVISIONS				
P	LTR	DESCRIPTION	DATE	APVD

PROPERTIES	CAVITIES LOADED	KEYING OPTION	POS.	DIM A	DIM B	DIM C	PART-NO.
UL94-V0 GWT 750°C TIN PLATED LOOSE PIECE	ALL CAVITIES LOADED WITH CONTACT, FULLY LOADED	B	13	30	34.9	2.5	1-2232893-3
			12	27.5	32.4	5	1-2232893-2
			11	25	29.9	2.5	1-2232893-1
			10	22.5	27.4	5	1-2232892-0
			9	20	24.9	2.5	1-2232892-9
			8	17.5	22.4	5	1-2232892-8
			7	15	19.9	2.5	1-2232892-7
			6	12.5	17.4	5	1-2232892-6
			5	10	14.9	2.5	1-2351101-5
			5	10	14.9	2.5	1-2232892-5
			4	7.5	12.4	5	1-2351101-4
			4	7.5	12.4	5	1-2232892-4
			3	5	9.9	2.5	1-2351101-3
3	5	9.9	2.5	1-2232892-3			
2	2.5	7.4	2.5	1-2232892-2			
UL94-V0 GWT 750°C TIN PLATED LOOSE PIECE	ALL CAVITIES LOADED WITH CONTACT, FULLY LOADED	A	13	30	34.9	2.5	1-2232885-3
			12	27.5	32.4	5	1-2232885-2
			11	25	29.9	2.5	1-2232885-1
			10	22.5	27.4	5	1-2232884-0
			9	20	24.9	2.5	1-2232884-9
			8	17.5	22.4	5	1-2232884-8
			7	15	19.9	2.5	1-2232884-7
			6	12.5	17.4	5	1-2232884-6
			5	10	14.9	2.5	1-2232884-5
			4	7.5	12.4	5	1-2232884-4
3	5	9.9	2.5	1-2232884-3			
2	2.5	7.4	2.5	1-2232884-2			



THIS DRAWING IS A CONTROLLED DOCUMENT.		DWN 09 JUN 2015 Winter Wang	TE Connectivity		
DIMENSIONS: mm		CHK 09 JUN 2015 Daniel Zhang			NAME Customer Drawing
TOLERANCES UNLESS OTHERWISE SPECIFIED:		APVD 09 JUN 2015 Riccardo Robone			MONOPLUG 2.5 CONNECTOR
0 PLC ±0.4 1 PLC ±0.3 2 PLC ±0.2 3 PLC ± 4 PLC ± ANGLES ± FINISH -		PRODUCT SPEC 108-106198			RESTRICTED TO -
MATERIAL -		APPLICATION SPEC 114-106198	SIZE A2	CAGE CODE -	
		WEIGHT -	DRAWING NO C-2232884	SCALE 5:1	
		CUSTOMER DRAWING	SHEET 2 OF 4	REV C	

THIS DRAWING IS UNPUBLISHED. RELEASED FOR PUBLICATION
 © COPYRIGHT copyright.dBTe- ALL RIGHTS RESERVED.

REVISIONS				
P	LTR	DESCRIPTION	DATE	APVD

PROPERTIES	CAVITIES LOADED													KEYING OPTION	POS.	DIM A	DIM B	DIM C	PART-NO.
	1	2	3	4	5	6	7	8	9	10	11	12	13						
UL94-V0 GWT 750°C TIN PLATED LOOSE PIECE	X	O	X	O	X	O	X	O	X	O	X	O	X	B	13	30	34.9	2.5	1-2232891-3
	X	X	X	O	O	X	O	O	X	X	X	X			12	27.5	32.4	5	1-2232891-2
	X	X	X	O	O	O	X	O	X	O	X				11	25	29.9	2.5	2-2232891-1
	X	O	X	O	X	O	X	O	X	O	X				11	25	29.9	2.5	1-2232891-1
	X	O	O	X	O	X	O	X	O	X					10	22.5	27.4	5	4-2232890-0
	X	X	O	X	O	X	O	X	O	X					10	22.5	27.4	5	3-2232890-0
	X	X	O	X	O	X	O	X	X	X					10	22.5	27.4	5	1-2232890-0
	X	O	X	O	X	O	X	O	X						9	20	24.9	2.5	1-2232890-9
	X	X	O	O	O	X	X	X							8	17.5	22.4	5	1-2232890-8
	X	O	X	O	X	O	X								7	15	19.9	2.5	1-2352002-7
	X	O	X	O	X	O	X								7	15	19.9	2.5	1-2232890-7
	X	O	X	O	X	X									6	12.5	17.4	5	1-2232890-6
	X	O	X	O	X										5	10	14.9	2.5	1-2352002-5
	X	O	X	O	X										5	10	14.9	2.5	1-2232890-5
	X	O	X	X											4	7.5	12.4	5	1-2232890-4
X	O	X											3	5	9.9	2.5	1-2232890-3		
X	O												2	2.5	7.4	2.5	1-2232890-2		
UL94-V0 GWT 750°C TIN PLATED LOOSE PIECE	X	O	X	O	X	O	X	O	X	O	X	O	X	A	13	30	34.9	2.5	1-2232895-3
	X	X	X	O	O	X	O	O	X	X	X	X			12	27.5	32.4	5	1-2232895-2
	X	X	X	O	O	O	X	O	X	O	X				11	25	29.9	2.5	2-2232895-1
	X	O	X	O	X	O	X	O	X	O	X				11	25	29.9	2.5	1-2232895-1
	X	X	O	X	O	X	O	X	X	X					10	22.5	27.4	5	1-2232894-0
	X	O	X	O	X	O	X	O	X						9	20	24.9	2.5	1-2232894-9
	X	X	O	O	O	X	X	X							8	17.5	22.4	5	1-2232894-8
	X	O	X	O	X	O	X								7	15	19.9	2.5	1-2232894-7
	X	O	X	O	X	X									6	12.5	17.4	5	1-2232894-6
	X	O	X	O	X										5	10	14.9	2.5	1-2232894-5
	X	O	X	X											4	7.5	12.4	5	1-2232894-4
	X	O	X												3	5	9.9	2.5	1-2232894-3
	X	O													2	2.5	7.4	2.5	1-2232894-2



THIS DRAWING IS A CONTROLLED DOCUMENT.

DWN: Winter Wang 09 JUN 2015
 CHK: Daniel Zhang 09 JUN 2015
 APVD: Riccardo Robone 09 JUN 2015

STE TE Connectivity

NAME: Customer Drawing
 MONOPLUG 2.5 CONNECTOR

PRODUCT SPEC: 108-106198
 APPLICATION SPEC: 114-106198

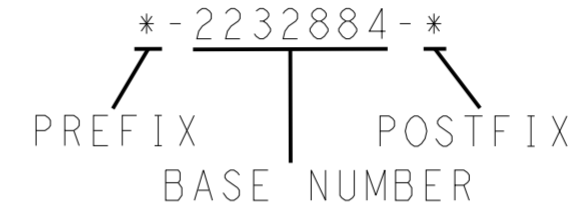
SIZE: A2 CAGE CODE: - DRAWING NO: C-2232884 RESTRICTED TO: -
 WEIGHT: -
 SCALE: 5:1 SHEET: 3 OF 4 REV: C

THIS DRAWING IS UNPUBLISHED. RELEASED FOR PUBLICATION
 © COPYRIGHT copyright dbte. ALL RIGHTS RESERVED.

REVISIONS				
P	LTR	DESCRIPTION	DATE	APVD

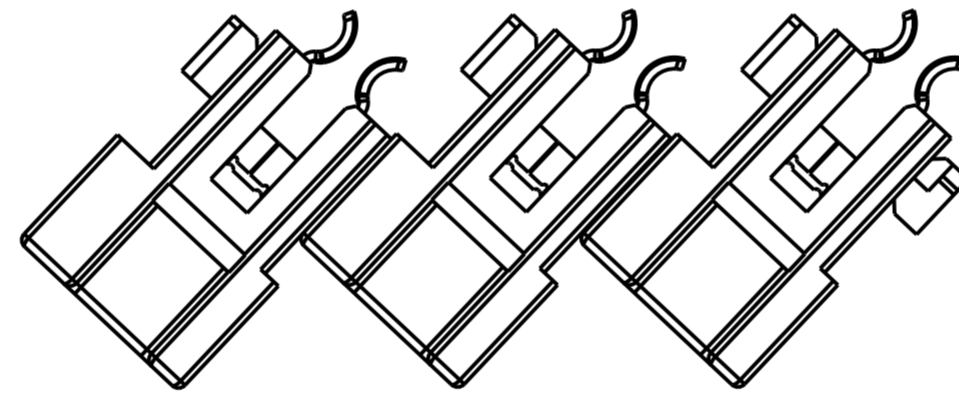
FOR ANY PART NUMBER WITH KEYING OPTION A, THERE ARE TWO PACKGING STYLE AVAILABLE, LOOSE PIECE AND CHAIN CONNECTION. THE P/N OF THE PARTS IN CHAIN CONNECTION IS BASED ON THE PARTS IN LOOSE PIECE, THE PREFIX AND POSTFIX ARE THE SAME FOR THE SAME STRUCTURE OF THE PARTS, BUT THE BASE NUMBERS ARE DIFFERENT ACCORDING TO DIFFERENT PACKAGING STYLE. THE FOLLOWING TABLE SHOWS THE P/S FOR THE PARTS IN CHAIN CONNECTION BASED ON THE PARTS IN LOOSE PIECE

PACKAGING STYLE	△1 LOOSE PIECE △2	△1 CHAIN CONNECTION △3
PART NUMBER OF MONOPLUG 2.5	*-2232884-*	*-2305996-*
	-2232885-	*-2305997-*
	-2232894-	*-2305998-*
	-2232895-	*-2305999-*
	-2304155-	*-2306437-*
	-2306443-	*-2306438-*
	-2306439-	*-2306441-*
	-2306440-	*-2306442-*



* CAN BE THE NUMBER FROM 0 TO 9, AND 0 CAN BE DEFAULT

FOR EXAMPLE, IF A PART OF MONOPLUG 2.5 IS IN LOOSE PIECE, AND IT'S PART NUMBER IS 1-2232885-2, AND IF THE SAME PART IS IN CHAIN CONNECTION, THEN THE PART NUMBER IS 1-2305997-2



△3 CHAIN CONNECTION

THIS DRAWING IS A CONTROLLED DOCUMENT.		DWN 09 JUN 2015 Winter Wang	TE Connectivity	
DIMENSIONS: mm		CHK 09 JUN 2015 Daniel Zhang		
TOLERANCES UNLESS OTHERWISE SPECIFIED:		APVD 09 JUN 2015 Riccardo Robone	PRODUCT SPEC 108-106198	RESTRICTED TO
0 PLC ±0.4		APPLICATION SPEC 114-106198	SIZE A2	SCALE 5:1
1 PLC ±0.3		WEIGHT -	CAGE CODE -	SHEET 4 OF 4
2 PLC ±0.2		CUSTOMER DRAWING	DRAWING NO. C-2232884	REV C
3 PLC ±				
4 PLC ±				
ANGLES ±				
FINISH -				

X-ON Electronics

Largest Supplier of Electrical and Electronic Components

Click to view similar products for [Pluggable Terminal Blocks](#) category:

Click to view products by [TE Connectivity](#) manufacturer:

Other Similar products are found below :

[57.510.0053](#) [MC 1.5/ 6-ST-3.5 GY AU](#) [ET02015000J0G](#) [734-104](#) [734-302](#) [8-141-P](#) [8426620000](#) [860505](#) [860516](#) [860810](#) [GBPACX-12](#)
[PV05-5,08-K](#) [PVP02-5,00](#) [PVP03-3,50](#) [PVP04-3,50](#) [PVS02-5,00](#) [1-1986160-3](#) [1377680000](#) [1531000000](#) [1546228-5](#) [ELFH16150](#)
[ELFP03110](#) [ELFP10210](#) [ELFT06250](#) [ELVP03100](#) [1700101](#) [1700410](#) [1700425](#) [1702246](#) [1705229](#) [1710175](#) [1714537](#) [1717806](#) [1719600](#)
[1728941](#) [1734692](#) [1734795](#) [1736036](#) [1740194](#) [1740628](#) [1740990](#) [1746952](#) [1750207](#) [1752441](#) [1752865](#) [1754115](#) [1754144](#) [1756913](#)
[1760051](#) [1760336](#)