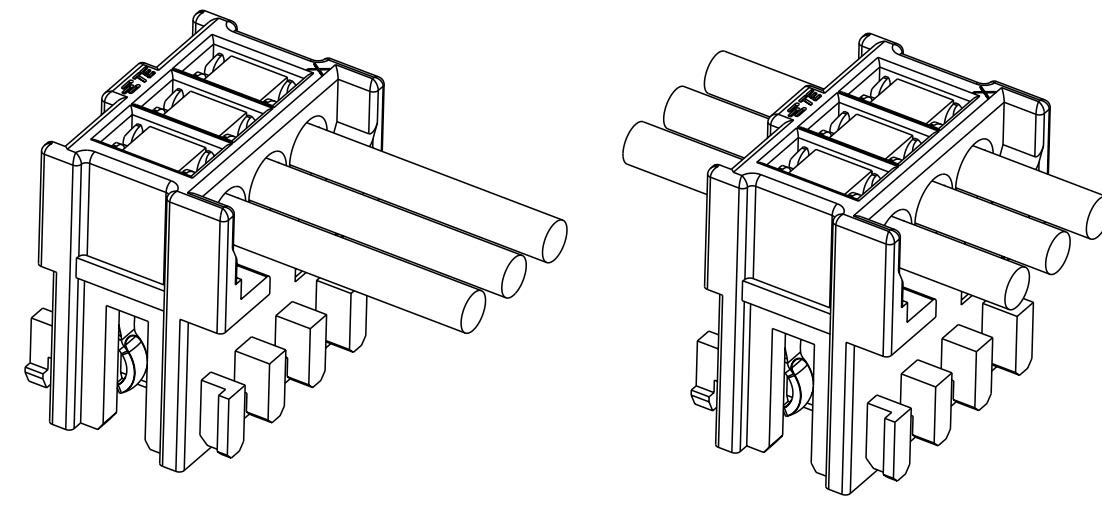
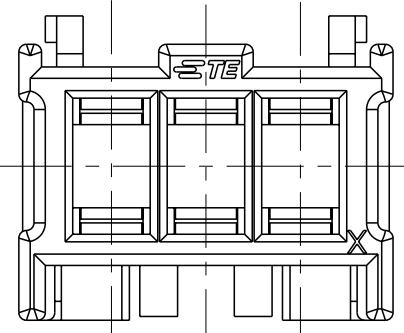
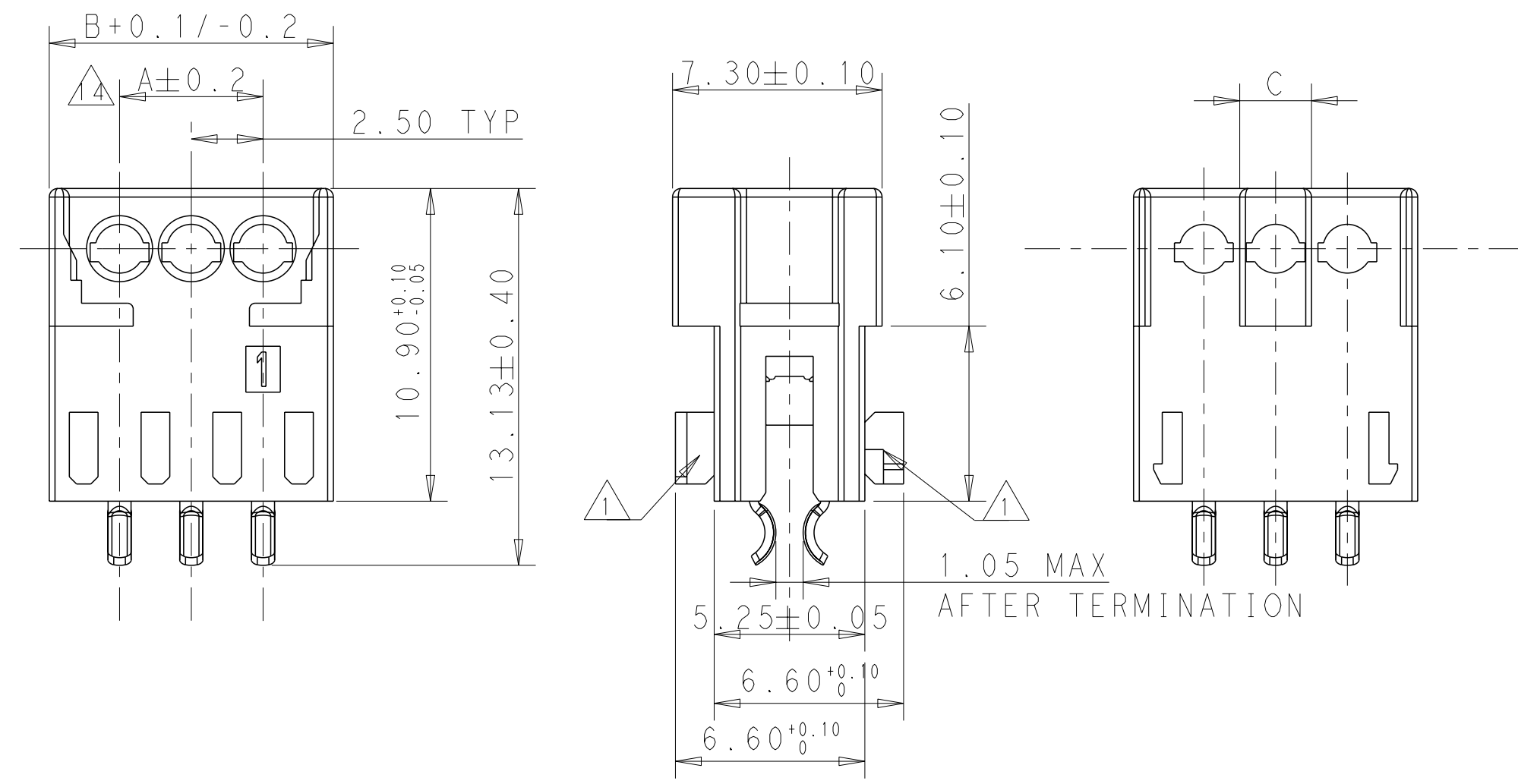


THIS DRAWING IS UNPUBLISHED. RELEASED FOR PUBLICATION
 © COPYRIGHT copyright.d8te- ALL RIGHTS RESERVED.

REVISIONS				
P	LTR	DESCRIPTION	DATE	APVD
C		ECR-21-101119	26MAY2021	WW FL
C1		ECR-21-106357	05JUL2021	WW FL

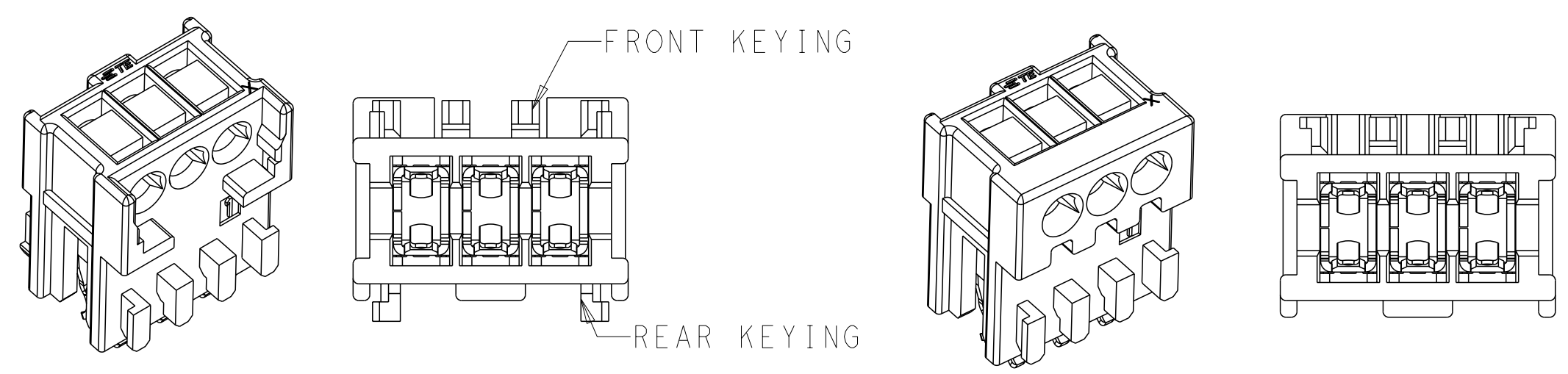


TERMINATED STATUS



KEYING OPTION A AS SHOWN

- 1 KEYING RIBS: POSSIBLE TO BE CUT WITH TERMINATION MACHINE
- 2. MATING PART: PCB OR TAB HEADER ACC. RAST 2.5 STANDARD
- 3. HOUSING: NYLON, IEC 60335-1 GLOW WIRE TEST 750°C WITHOUT FLAME
CONTACT: COPPER ALLOY WITH TIN PLATED
- 4. WIRE RANGE 0.22~0.35MM², INSULATION RANGE 1.2~1.6 MM
- 5 KEYING RIBS BETWEEN CAVITY NO.. SEE TABLE
- 6 TWO KEYING OPTIONS ARE AVAILABLE, THE DIMENSIONS FOR THE TWO OPTIONS ARE THE SAME EXCEPT THAT THE OPTION B HAS ONLY THE FRONT KEYING AND CLOSED FRONT OF HOUSING
- 7. FULLY LOADED AND SELECTIVELY LOADED VERSIONS ARE AVAILABLE
- 8 X.. CAVITY LOADED WITH CONTACT
O.. CAVITY WITHOUT CONTACT
- 9 KEYING CONFIGURATION SEE PAGE 5, IF NO DETAIL KEYING CONFIGURATION SHOWN TO A PN, THEN NO NEED TO CUT ANY KEYING ON THIS PN
- 10. THE SCRATCHES ON THE HOUSING DUE TO THE BARBS OF THE CONTACT ARE ACCEPTABLE, DETAIL PICTURES PLEASE SEE THE SEPC 114-106198.
- 11 PRELIMINARY PART NOT RELEASED FOR PRODUCTION
- 12 THE PART NUMBER IS WITH LOOSE PIECE AND PACKAGED WITH TUBE
- 13 THE PART NUMBER IS WITH CHAIN CONNECTION
- 14 DIMENSION "A" IS FROM FIRST HOLE TO LAST HOLE IN THE HOUSING
- 15 PNs WITH BLACK HOUSING, OTHERS ARE WITH NATURAL HOUSING



OPTION A
FRONT KEYING + REAR KEYING
OPENING ON FRONT

OPTION B
FRONT KEYING ONLY
CLOSING ON FRONT

KEYING OPTIONS

THIS DRAWING IS A CONTROLLED DOCUMENT.		DWN 09JUN2015 Winter Wang	TE Connectivity	
DIMENSIONS: mm		CHK 09JUN2015 Daniel Zhang		
TOLERANCES UNLESS OTHERWISE SPECIFIED:		APVD 09JUN2015 Riccardo Robone	NAME Customer Drawing MONOPLUG 2.5 CONNECTOR	
0 PLC ±0.4		PRODUCT SPEC 108-106198	SIZE A2	CAGE CODE -
1 PLC ±0.3		APPLICATION SPEC 114-106198	DRAWING NO C-2232884	RESTRICTED TO -
2 PLC ±0.2		WEIGHT -	SCALE 5:1	SHEET 1 OF 4
3 PLC ±		CUSTOMER DRAWING	REV C1	
4 PLC ±				
ANGLES ±				
FINISH -				

Printed on 5 Jul 2021 11:17 (China Standard Time) from F6086289

THIS DRAWING IS UNPUBLISHED. RELEASED FOR PUBLICATION
 © COPYRIGHT copyright.d8te ALL RIGHTS RESERVED.

REVISIONS				
P	LTR	DESCRIPTION	DATE	APVD




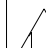

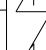
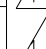

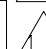

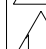



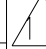
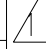
PROPERTIES	CAVITIES LOADED	KEYING OPTION	POS.	DIM A	DIM B	DIM C	PART-NO.
UL94-V0 GWT 750°C TIN PLATED LOOSE PIECE	ALL CAVITIES LOADED WITH CONTACT, FULLY LOADED	B	13	30	34.9	2.5	1-2232893-3
			12	27.5	32.4	5	1-2232893-2
			11	25	29.9	2.5	1-2232893-1
			10	22.5	27.4	5	1-2232892-0
			9	20	24.9	2.5	1-2232892-9
			8	17.5	22.4	5	1-2232892-8
			7	15	19.9	2.5	1-2232892-7
			6	12.5	17.4	5	1-2232892-6
			5	10	14.9	2.5	1-2351101-5
			5	10	14.9	2.5	1-2232892-5
			4	7.5	12.4	5	1-2351101-4
			4	7.5	12.4	5	1-2232892-4
			3	5	9.9	2.5	1-2351101-3
3	5	9.9	2.5	1-2232892-3			
2	2.5	7.4	2.5	1-2232892-2			
UL94-V0 GWT 750°C TIN PLATED LOOSE PIECE	ALL CAVITIES LOADED WITH CONTACT, FULLY LOADED	A	13	30	34.9	2.5	1-2232885-3
			12	27.5	32.4	5	1-2232885-2
			11	25	29.9	2.5	1-2232885-1
			10	22.5	27.4	5	1-2232884-0
			9	20	24.9	2.5	1-2232884-9
			8	17.5	22.4	5	1-2232884-8
			7	15	19.9	2.5	1-2232884-7
			6	12.5	17.4	5	1-2232884-6
			5	10	14.9	2.5	1-2232884-5
			4	7.5	12.4	5	1-2232884-4
3	5	9.9	2.5	1-2232884-3			
2	2.5	7.4	2.5	1-2232884-2			

THIS DRAWING IS A CONTROLLED DOCUMENT.		DWN Winter Wang 09 JUN 2015	TE Connectivity	
DIMENSIONS: mm		CHK Daniel Zhang 09 JUN 2015		
TOLERANCES UNLESS OTHERWISE SPECIFIED:		APVD Riccardo Robone 09 JUN 2015	NAME Customer Drawing MONOPLUG 2.5 CONNECTOR	
0 PLC ±0.4 1 PLC ±0.3 2 PLC ±0.2 3 PLC ± 4 PLC ±		PRODUCT SPEC 108-106198	RESTRICTED TO -	
MATERIAL -		APPLICATION SPEC 114-106198	SIZE A2	CAGE CODE -
FINISH -		WEIGHT -	DRAWING NO G-2232884	SCALE 5:1
		CUSTOMER DRAWING	SHEET 2 OF 4	REV C1

Printed on 5 Jul 2021 11:17 (China Standard Time) from FG086Z89

THIS DRAWING IS UNPUBLISHED. RELEASED FOR PUBLICATION
 © COPYRIGHT copyright.d8te ALL RIGHTS RESERVED.

REVISIONS				
P	LTR	DESCRIPTION	DATE	APVD

PROPERTIES	1	2	3	4	5	6	7	8	9	10	11	12	13	KEYING OPTION	POS.	DIM A	DIM B	DIM C	PART-NO.
	CAVITIES LOADED 																		
UL94-V0 GWT 750°C TIN PLATED LOOSE PIECE	X	O	X	O	X	O	X	O	X	O	X	O	X	B	13	30	34.9	2.5	1-2232891-3
	X	X	X	O	O	X	O	O	X	X	X	X			12	27.5	32.4	5	1-2232891-2
	X	X	X	O	O	O	X	O	X	O	X				11	25	29.9	2.5	2-2232891-1
	X	O	X	O	X	O	X	O	X	O	X				11	25	29.9	2.5	1-2232891-1
	X	O	O	X	O	X	O	X	O	X					10	22.5	27.4	5	4-2232890-0
	X	X	O	X	O	X	O	X	O	X					10	22.5	27.4	5	3-2232890-0
	X	X	O	X	O	X	O	X	X	X					10	22.5	27.4	5	1-2232890-0
	X	O	X	O	X	O	X	O	X						9	20	24.9	2.5	1-2232890-9
	X	X	O	O	O	X	X	X							8	17.5	22.4	5	1-2232890-8
	X	O	X	O	X	O	X								7	15	19.9	2.5	1-2352002-7 
	X	O	X	O	X	O	X								7	15	19.9	2.5	1-2232890-7
	X	O	X	O	X	X									6	12.5	17.4	5	1-2232890-6
	X	O	X	O	X										5	10	14.9	2.5	1-2352002-5 
	X	O	X	O	X										5	10	14.9	2.5	1-2232890-5
	X	O	X	X											4	7.5	12.4	5	1-2232890-4
X	O	X											3	5	9.9	2.5	1-2232890-3		
X	O												2	2.5	7.4	2.5	1-2232890-2		
UL94-V0 GWT 750°C TIN PLATED LOOSE PIECE	X	O	X	O	X	O	X	O	X	O	X	O	X	A	13	30	34.9	2.5	1-2232895-3 
	X	X	X	O	O	X	O	O	X	X	X	X			12	27.5	32.4	5	1-2232895-2 
	X	X	X	O	O	O	X	O	X	O	X				11	25	29.9	2.5	2-2232895-1 
	X	O	X	O	X	O	X	O	X	O	X				11	25	29.9	2.5	1-2232895-1 
	X	X	O	X	O	X	O	X	X	X					10	22.5	27.4	5	1-2232894-0 
	X	O	X	O	X	O	X	O	X						9	20	24.9	2.5	1-2232894-9 
	X	X	O	O	O	X	X	X							8	17.5	22.4	5	1-2232894-8 
	X	O	X	O	X	O	X								7	15	19.9	2.5	1-2232894-7 
	X	O	X	O	X	X									6	12.5	17.4	5	1-2232894-6 
	X	O	X	O	X										5	10	14.9	2.5	1-2232894-5 
	X	O	X	X											4	7.5	12.4	5	1-2232894-4 
	X	O	X												3	5	9.9	2.5	1-2232894-3 
	X	O													2	2.5	7.4	2.5	1-2232894-2 

D

D

C

C

B

B

A

A

Printed on 5 Jul 2021 11:17 (China Standard Time) from F6086289

THIS DRAWING IS A CONTROLLED DOCUMENT.

DWN: 09 JUN 2015
 CHK: Winter Wang
 Daniel Zhang
 APVD: 09 JUN 2015
 Riccardo Robone

STE TE Connectivity

NAME: Customer Drawing
 MONOPLUG 2.5 CONNECTOR

PRODUCT SPEC: 108-106198
 APPLICATION SPEC: 114-106198

SIZE: A2
 CAGE CODE: -
 DRAWING NO: C-2232884
 RESTRICTED TO: -

MATERIAL: -
 DIMENSIONS: mm
 TOLERANCES UNLESS OTHERWISE SPECIFIED:
 0 PLC ±0.4
 1 PLC ±0.3
 2 PLC ±0.2
 3 PLC ±
 4 PLC ±
 ANGLES ±
 FINISH -

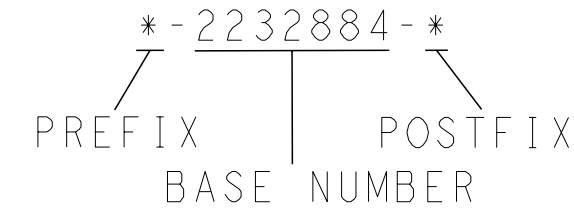
CUSTOMER DRAWING SCALE: 5:1 SHEET: 3 OF 4 REV: C1

THIS DRAWING IS UNPUBLISHED. RELEASED FOR PUBLICATION
 © COPYRIGHT copyright.d8te ALL RIGHTS RESERVED.

REVISIONS				
P	LTR	DESCRIPTION	DATE	APVD

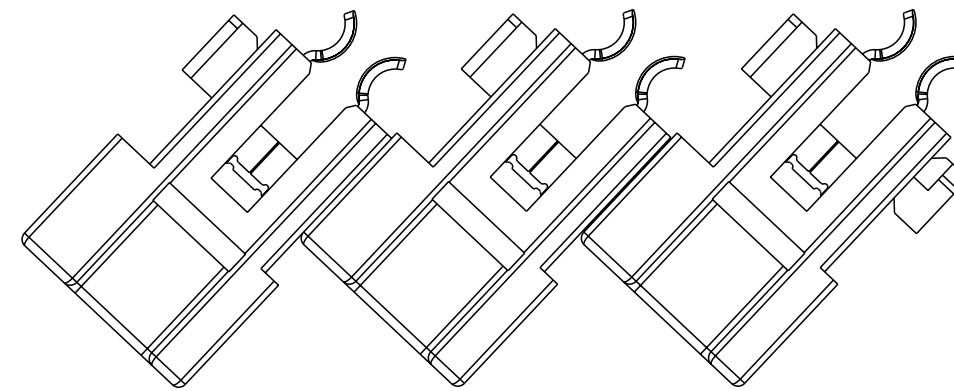
FOR ANY PART NUMBER WITH KEYING OPTION A, THERE ARE TWO PACKGING STYLE AVAILABLE, LOOSE PIECE AND CHAIN CONNECTION. THE P/N OF THE PARTS IN CHAIN CONNECTION IS BASED ON THE PARTS IN LOOSE PIECE, THE PREFIX AND POSTFIX ARE THE SAME FOR THE SAME STRUCTURE OF THE PARTS, BUT THE BASE NUMBERS ARE DIFFERENT ACCORDING TO DIFFERENT PACKAGING STYLE. THE FOLLOWING TABLE SHOWS THE P/S FOR THE PARTS IN CHAIN CONNECTION BASED ON THE PARTS IN LOOSE PIECE

PACKAGING STYLE	△1 LOOSE PIECE △2	△1 CHAIN CONNECTION △3
PART NUMBER OF MONOPLUG 2.5	*-2232884-*	*-2305996-*
	-2232885-	*-2305997-*
	-2232894-	*-2305998-*
	-2232895-	*-2305999-*
	-2304155-	*-2306437-*
	-2306443-	*-2306438-*
	-2306439-	*-2306441-*
	-2306440-	*-2306442-*



* CAN BE THE NUMBER FROM 0 TO 9, AND 0 CAN BE DEFAULT

FOR EXAMPLE, IF A PART OF MONOPLUG 2.5 IS IN LOOSE PIECE, AND IT'S PART NUMBER IS 1-2232885-2, AND IF THE SAME PART IS IN CHAIN CONNECTION, THEN THE PART NUMBER IS 1-2305997-2



△3 CHAIN CONNECTION

THIS DRAWING IS A CONTROLLED DOCUMENT.		DWN 09 JUN 2015 Winter Wang	TE Connectivity															
DIMENSIONS: mm		CHK 09 JUN 2015 Daniel Zhang																
TOLERANCES UNLESS OTHERWISE SPECIFIED:		APVD 09 JUN 2015 Riccardo Robone	NAME Customer Drawing MONOPLUG 2.5 CONNECTOR															
<table border="0"> <tr> <td>0 PLC</td><td>±0.4</td> </tr> <tr> <td>1 PLC</td><td>±0.3</td> </tr> <tr> <td>2 PLC</td><td>±0.2</td> </tr> <tr> <td>3 PLC</td><td>±</td> </tr> <tr> <td>4 PLC</td><td>±</td> </tr> <tr> <td>ANGLES</td><td>±</td> </tr> <tr> <td>FINISH</td><td>±</td> </tr> </table>		0 PLC	±0.4	1 PLC	±0.3	2 PLC	±0.2	3 PLC	±	4 PLC	±	ANGLES	±	FINISH	±	PRODUCT SPEC 108-106198	SIZE A2	CAGE CODE -
0 PLC	±0.4																	
1 PLC	±0.3																	
2 PLC	±0.2																	
3 PLC	±																	
4 PLC	±																	
ANGLES	±																	
FINISH	±																	
MATERIAL		APPLICATION SPEC 114-106198	DRAWING NO G-2232884	RESTRICTED TO -														
		WEIGHT -	SCALE 5:1 SHEET 4 OF 4 REV C1															
		CUSTOMER DRAWING																

Printed on 5 Jul 2021 11:17 (China Standard Time) from EG086289

X-ON Electronics

Largest Supplier of Electrical and Electronic Components

Click to view similar products for [Rectangular MIL Spec Connectors](#) category:

Click to view products by [TE Connectivity](#) manufacturer:

Other Similar products are found below :

[891-011-15SA2-BSST](#) [CTS-S16/16](#) [65002-062](#) [CY4602-000](#) [732-8020-01](#) [77058-22-55PN](#) [81542-20](#) [86.030.0053.0](#) [1241346-1](#) [RM252-020-311-2900](#) [DMC-M 08-16 SA](#) [1589051-4](#) [MSO34MPK1E1](#) [BACC65CAMA](#) [BACC65CP1PN](#) [BACI10BC0816PNBA](#) [HSB-D4S03DM222X](#) [2217548-1](#) [891-006-9PS-BST1T](#) [891-009-15SA2-BRT1T](#) [27963-20T12](#) [SIM2N40NC3](#) [SIM2S100A](#) [1604996-2](#) [SMD25PN90L-4055](#) [1900ND08S1B00A](#) [22628-10-6P-791](#) [RE04-212S](#) [M32139/03-G05SN](#) [CTD160E01F-6148](#) [CTJ112E03B](#) [CTJ122E02D-8000](#) [CTJ-3D-12](#) [CTJ920E06N-513](#) [CTJ920E12N-513](#) [CTL-16-090](#) [CY4600-000](#) [CY4601-000](#) [38111-14-15SN](#) [38112-14-15PN](#) [MMA23-0111R1](#) [MMD25-0071P1](#) [33516062020](#) [33526M11-08PE](#) [DMC-M99-01AN](#) [Y59113WE20PNV00300](#) [ZPF000000000106310](#) [105979-31](#) [EN4165M01AD0G0](#) [EN4165M01AN0G0](#)