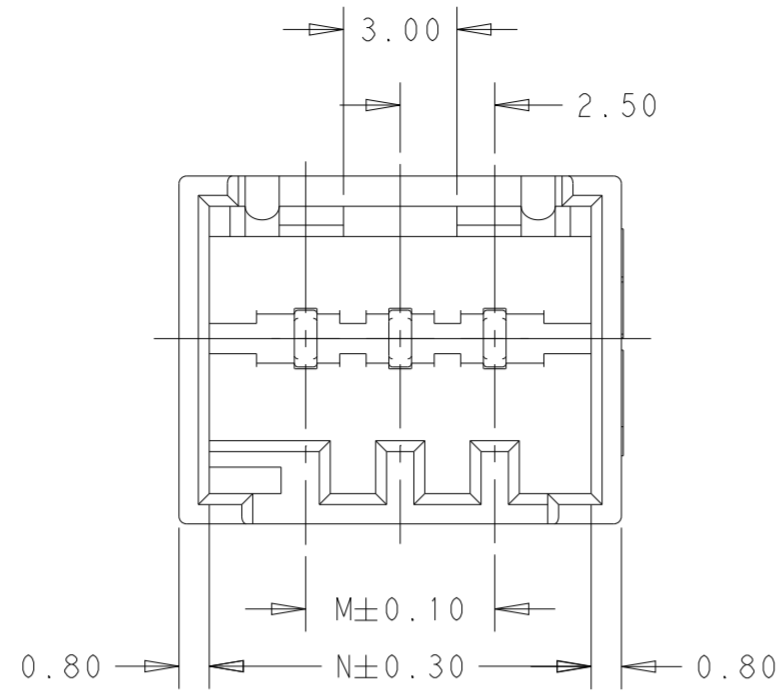
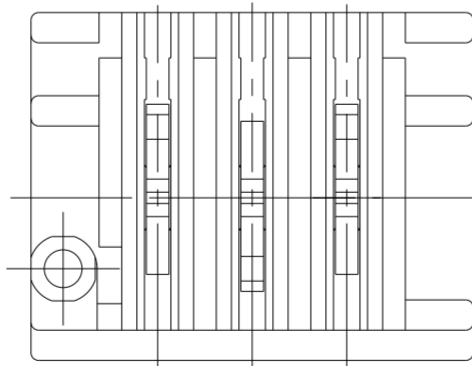
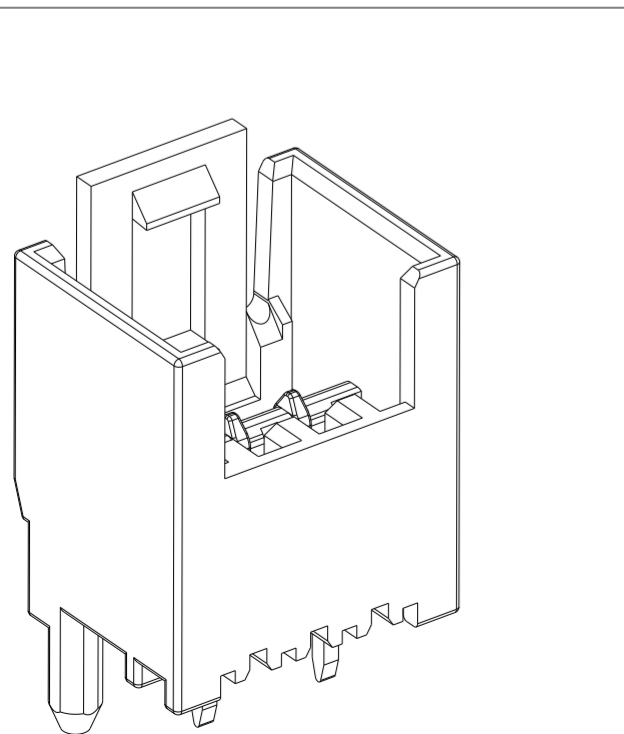
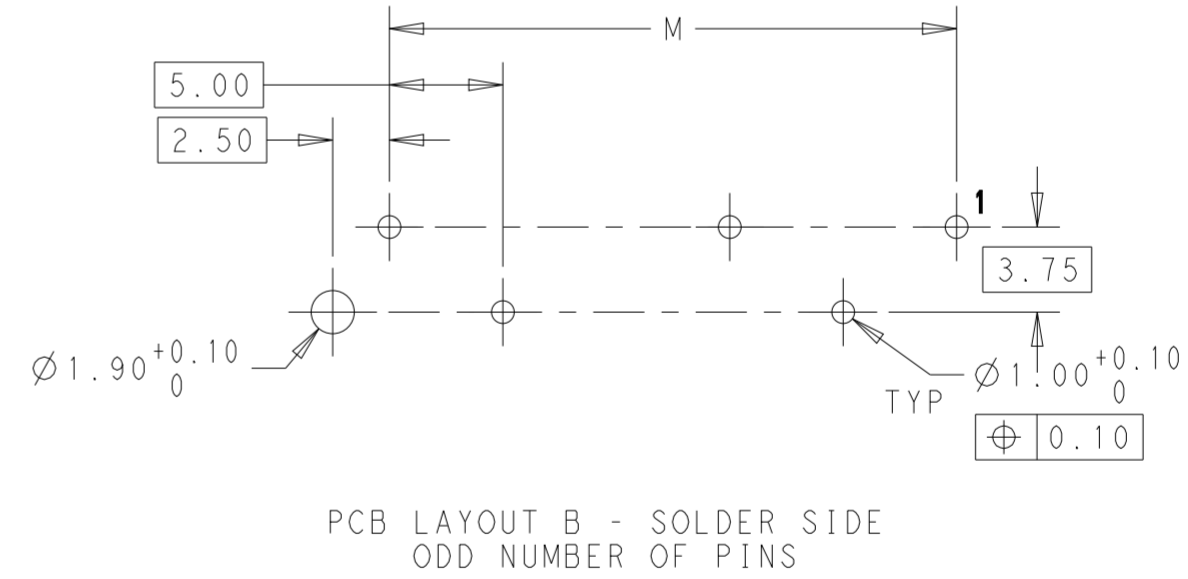
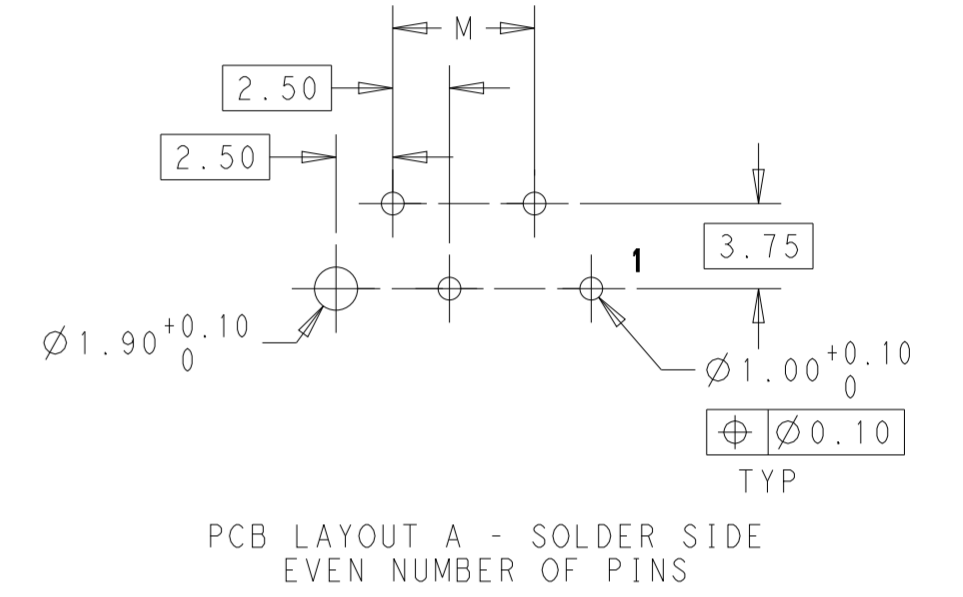
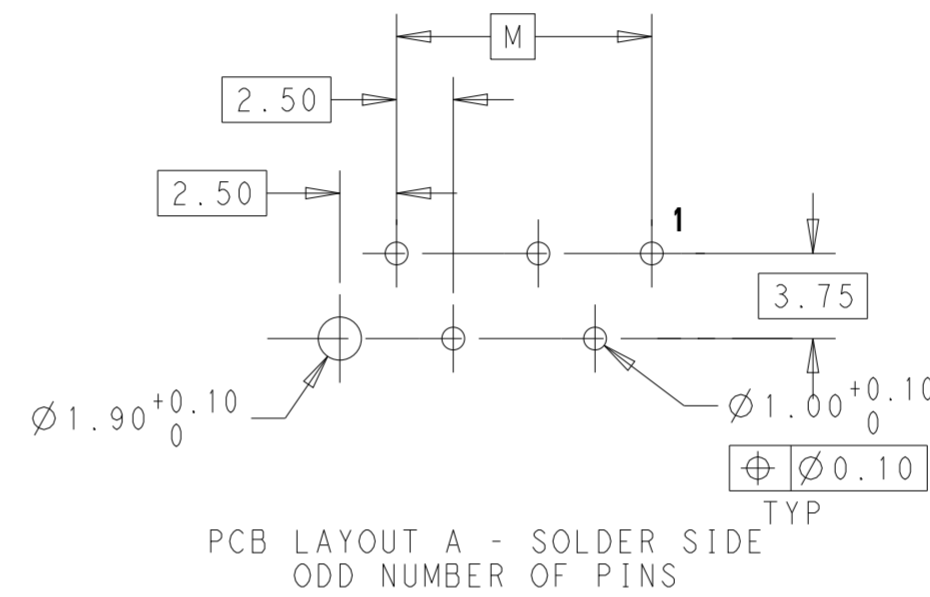
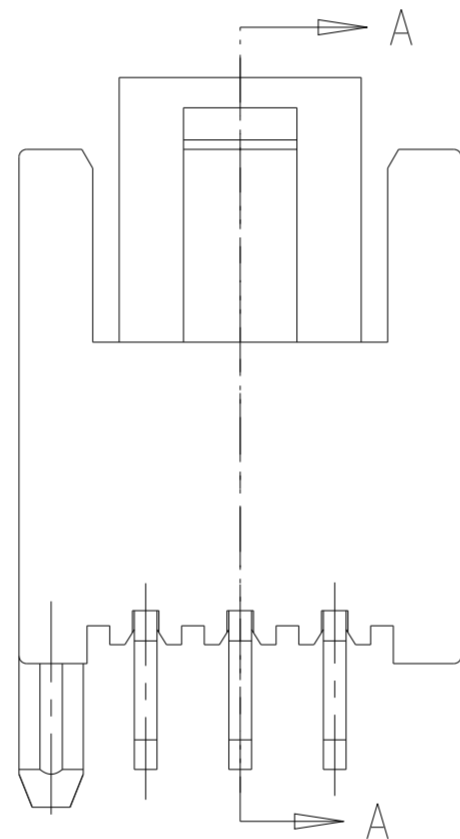
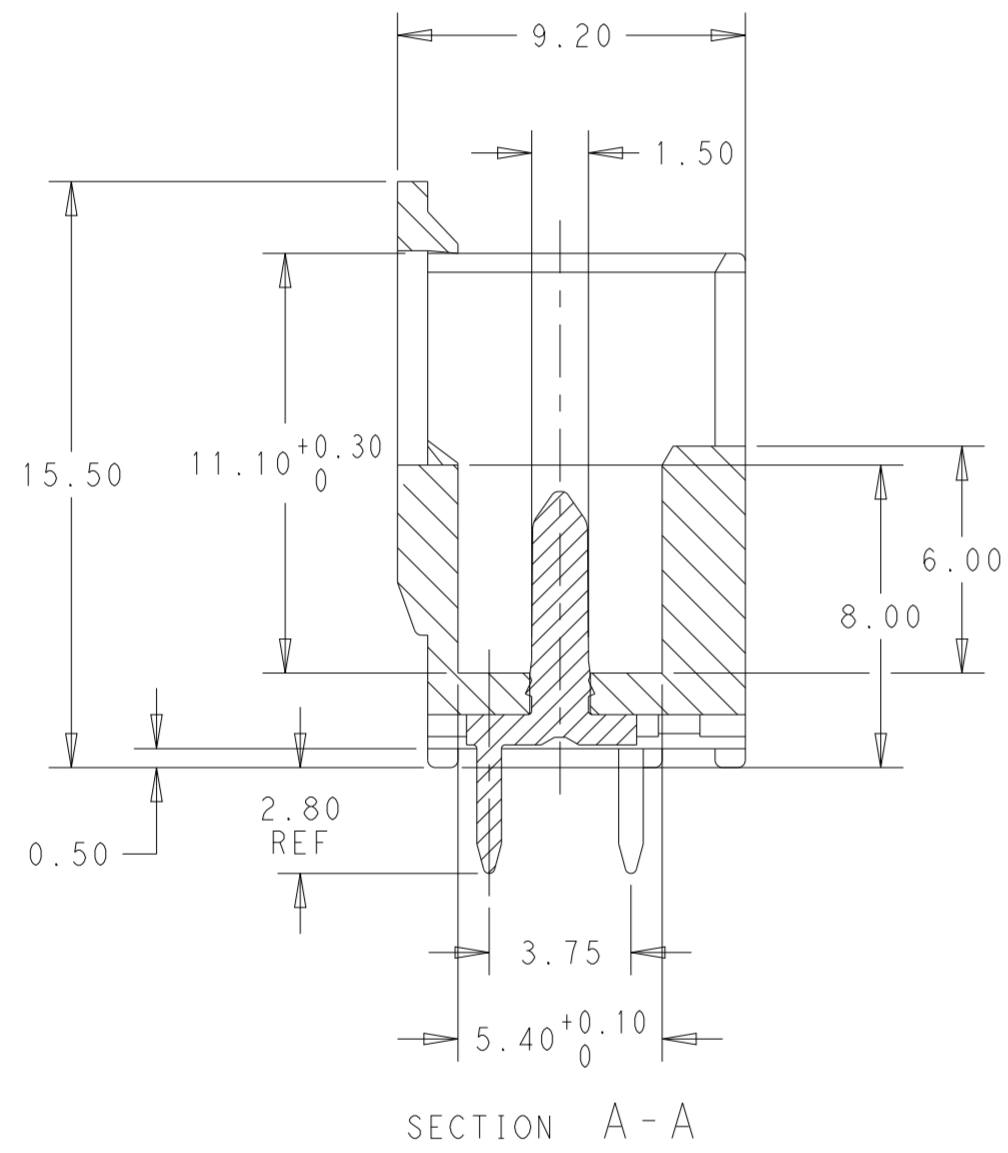


THIS DRAWING IS UNPUBLISHED. RELEASED FOR PUBLICATION 20
 © COPYRIGHT 20 BY - ALL RIGHTS RESERVED.

REVISIONS				
P	LTR	DESCRIPTION	DATE	APVD
A9		ECR-19-014915	26SEP2019	LZ FL
A10		ECR-19-016785	29OCT2019	LZ FL
A11		ECR-21-101428	26MAR2021	WW FL
A12		ECR-21-102542	20MAY2021	SM FL



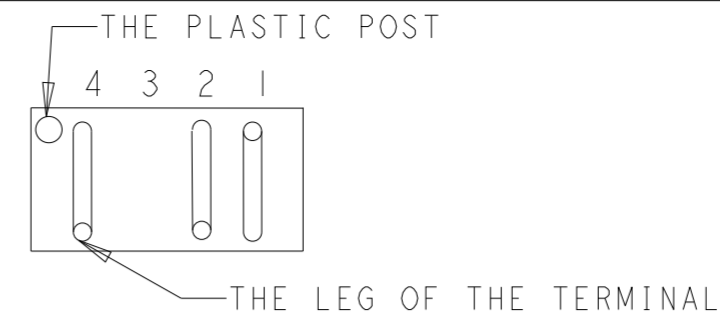
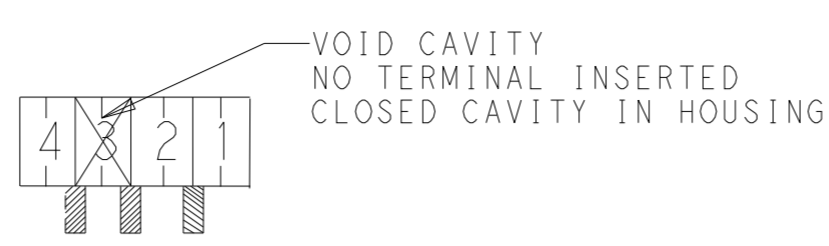
- 1 SEE SHEET 2 FOR AVAILABLE CONFIGURATIONS
- 2 MATERIAL: HOUSING, NYLON, UL94 V0, 750°C GWT NO FLAME CONTACT, COPPER ALLOY, 0.60MM THICK
- 3 FINISH: TIN PLATING OVER NICKEL UNDERPLATING
- 4 PCB LAYOUT AS SHOWN
- 5 PRELIMINARY, NOT FOR PRODUCTION



40.00	40.00	45.10	40.00	17
20.00	20.00	25.10	20.00	9
15.00	-	20.10	15.00	7
10.00	-	17.60	12.50	6
10.00	10.00	15.10	10.00	5
5.00	-	12.60	7.50	4
5.00	5.00	10.10	5.00	3
Q	P	N	M	POS

THIS DRAWING IS A CONTROLLED DOCUMENT.		DWN 16APR2015 WINTER WANG	TE Connectivity	
DIMENSIONS: mm		CHK 16APR2015 JAIN LIU		
TOLERANCES UNLESS OTHERWISE SPECIFIED:		APVD 16APR2015 RICCARDO ROBONE	NAME RAST 2.5 TAB HEADER ASSY POTTED VERSION	
0 PLC ±		PRODUCT SPEC 108-106079	SIZE CAGE CODE DRAWING NO RESTRICTED TO	
1 PLC ±		APPLICATION SPEC	A200779 C-2232960	
2 PLC ±0.20		WEIGHT	SCALE 5:1 SHEET 1 OF 5 REV A12	
3 PLC ±		CUSTOMER DRAWING		
4 PLC ±				
ANGLES ±1°				
FINISH				

THIS DRAWING IS UNPUBLISHED. RELEASED FOR PUBLICATION 20
 © COPYRIGHT 20 BY - ALL RIGHTS RESERVED.



REVISIONS				
P	LTR	DESCRIPTION	DATE	APVD
-	-	SEE SHEET 1	-	-

KEYING CONFIGURATION	TAIL CONFIGURATION	PCB LAYOUT	COLOR	VOID CAVITY	CAVITY	TE PART NUMBER
		B	BLACK	2	3	2-2232962-3
		B	NATURAL	2	3	1-2232962-3
		A	BLACK	-	3	8-2232960-3 5
		A	NATURAL	-	3	7-2232960-3 5
		A	NATURAL	-	3	6-2232960-3 5
		A	NATURAL	-	3	5-2232960-3
		A	NATURAL	-	3	4-2232960-3
		A	BLACK	-	3	3-2232960-3
		A	BLACK	-	3	2-2232960-3
		A	NATURAL	-	3	1-2232960-3

THIS DRAWING IS A CONTROLLED DOCUMENT.

DWN: WINTER WANG 16APR2015	TE Connectivity NAME: RAST 2.5 TAB HEADER ASSY POTTED VERSION SIZE: A2 CAGE CODE: 00779 DRAWING NO: C-2232960 RESTRICTED TO: -			
CHK: JAIN LIU 16APR2015				
APVD: RICCARDO ROBONE 16APR2015				
PRODUCT SPEC: 108-106079				
MATERIAL: -	WEIGHT: -	SCALE: 5:1	SHEET: 2 OF 5	REV: A12

CUSTOMER DRAWING

THIS DRAWING IS UNPUBLISHED. RELEASED FOR PUBLICATION 20
 © COPYRIGHT 20 BY - ALL RIGHTS RESERVED.

REVISIONS				
P	LTR	DESCRIPTION	DATE	APVD
-		SEE SHEET 1	-	-

		A	NATURAL	-	4	4-2232960-4
		A	NATURAL	-	4	3-2232960-4
		A	BLACK	-	4	2-2232960-4
		A	NATURAL	3	4	1-2232960-4
		B	NATURAL	2, 4	5	3-2232962-5
		B	BLACK	2, 4	5	1-2232962-5
		A	BLACK	-	5	2-2232960-5 5
		A	NATURAL	-	5	1-2232960-5
KEYING CONFIGURATION	TAIL CONFIGURATION	PCB LAYOUT	COLOR	VOID CAVITY	CAVITY	TE PART NUMBER

THIS DRAWING IS A CONTROLLED DOCUMENT.

DWN WINTER WANG 16APR2015	TE Connectivity NAME RAST 2.5 TAB HEADER ASSY POTTED VERSION				
CHK JAIN LIU 16APR2015					
APVD RICCARDO ROBONE 16APR2015					
PRODUCT SPEC 108-106079					
MATERIAL	APPLICATION SPEC	SIZE	CAGE CODE	DRAWING NO	RESTRICTED TO
-	-	A2	00779	C-2232960	-
CUSTOMER DRAWING		SCALE	SHEET	REV	
		5:1	3 OF 5	A12	

DIMENSIONS: mm
 TOLERANCES UNLESS OTHERWISE SPECIFIED:
 0 PLC ±
 1 PLC ±
 2 PLC ±0.20
 3 PLC ±
 4 PLC ±
 ANGLES ±1°
 FINISH -

THIS DRAWING IS UNPUBLISHED. RELEASED FOR PUBLICATION 20
 © COPYRIGHT 20 BY - ALL RIGHTS RESERVED.

REVISIONS				
P	LTR	DESCRIPTION	DATE	APVD
-	-	SEE SHEET 1	-	-

		B	NATURAL	2, 4, 6, 8, 10, 12, 14, 16	17	2-2232963-7
		B	NATURAL	2, 4, 6, 8, 10, 12, 14, 16	17	1-2232963-7
		B	NATURAL	2, 4, 6, 8	9	1-2232962-9
		A	NATURAL	-	9	2-2232960-9
		A	NATURAL	-	9	1-2232960-9
		B	NATURAL	2, 4, 6	7	1-2232962-7
		A	NATURAL	-	7	2-2232960-7
		A	NATURAL	-	7	1-2232960-7
		A	NATURAL	-	6	1-2232960-6
KEYING CONFIGURATION	TAIL CONFIGURATION	PCB LAYOUT	COLOR	VOID CAVITY	CAVITY	TE PART NUMBER

THIS DRAWING IS A CONTROLLED DOCUMENT.

DWN	16APR2015	WINTER WANG
CHK	16APR2015	JAIN LIU
APVD	16APR2015	RICCARDO ROBONE
PRODUCT SPEC	108-106079	
APPLICATION SPEC	-	
WEIGHT	-	
CUSTOMER DRAWING	SCALE 5:1	SHEET 4 OF 5

STE TE Connectivity

NAME: RAST 2.5 TAB HEADER ASSY POTTED VERSION

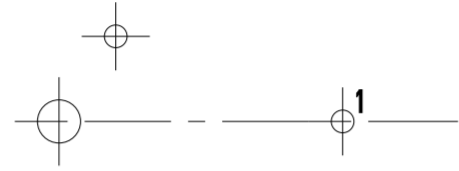
SIZE: A2 CAGE CODE: 00779 DRAWING NO: C-2232960 RESTRICTED TO: -

REV: A12

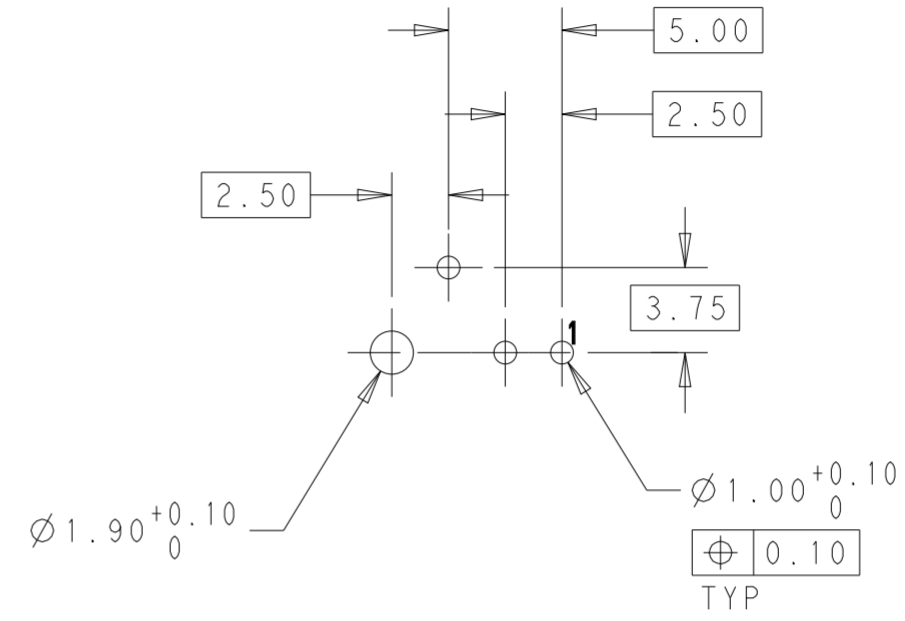
THIS DRAWING IS UNPUBLISHED. RELEASED FOR PUBLICATION 20
 © COPYRIGHT 20 BY - ALL RIGHTS RESERVED.

REVISIONS					
P	LTR	DESCRIPTION	DATE	DWN	APVD
-	-	SEE SHEET 1	-	-	-

PARTS WITH SPECIAL PCB LAYOUT



PCB LAYOUT C - SOLDER SIDE



PCB LAYOUT D - SOLDER SIDE

		C	NATURAL	2, 3, 4	5	2-2232962-5
		D	NATURAL	-	3	2364721-3
KEYING CONFIGURATION	TAIL CONFIGURATION	PCB LAYOUT	COLOR	VOID CAVITY	CAVITY	TE PART NUMBER

THIS DRAWING IS A CONTROLLED DOCUMENT.		DWN 16APR2015 WINTER WANG	TE Connectivity			
DIMENSIONS: mm		CHK 16APR2015 JAIN LIU				
TOLERANCES UNLESS OTHERWISE SPECIFIED:		APVD 16APR2015 RICCARDO ROBONE	NAME RAST 2.5 TAB HEADER ASSY POTTED VERSION			
		PRODUCT SPEC 108-106079	SIZE CAGE CODE DRAWING NO RESTRICTED TO			
MATERIAL		APPLICATION SPEC	A200779 C-2232960			
FINISH		WEIGHT	SCALE 5:1 SHEET 5 OF 5 REV A12			
-		CUSTOMER DRAWING				

X-ON Electronics

Largest Supplier of Electrical and Electronic Components

Click to view similar products for [Headers & Wire Housings](#) category:

Click to view products by [TE Connectivity](#) manufacturer:

Other Similar products are found below :

[892-18-020-10-001101](#) [58102-G61-06LF](#) [582553-1](#) [0009485154](#) [009176003701906](#) [0050291907](#) [LY20-4P-DT1-P1E-BR](#) [02.125.8002.8](#)
[609-3404](#) [61062-3](#) [61082-181009](#) [622-3653LF](#) [63453-116](#) [636-1030](#) [636-1427](#) [636-3427](#) [636-4007](#) [641938-9](#) [641991-4](#) [644827-2](#) [65817-010LF](#) [65817-015LF](#) [65863-015LF](#) [66207-023LF](#) [67095-007LF](#) [67601157](#) [68645-018](#) [68648-049](#) [70.362.1628.0](#) [70-4210](#) [70-4226B](#) [70-4853B](#) [707-5020](#) [707-5028](#) [71.350.2428.0](#) [71918-208LF](#) [71961-016LF](#) [733-134](#) [733-162](#) [754199-000](#) [760-3052](#) [787-8014-00](#) [79531-3000](#)
[FCN-360C032-B](#) [FCN-367T-T012/H](#) [FCN-723D010/2](#) [80.063.4001.1](#) [800-90-001-10-001000](#) [800-90-010-10-002000](#) [801-43-002-10-013000](#)