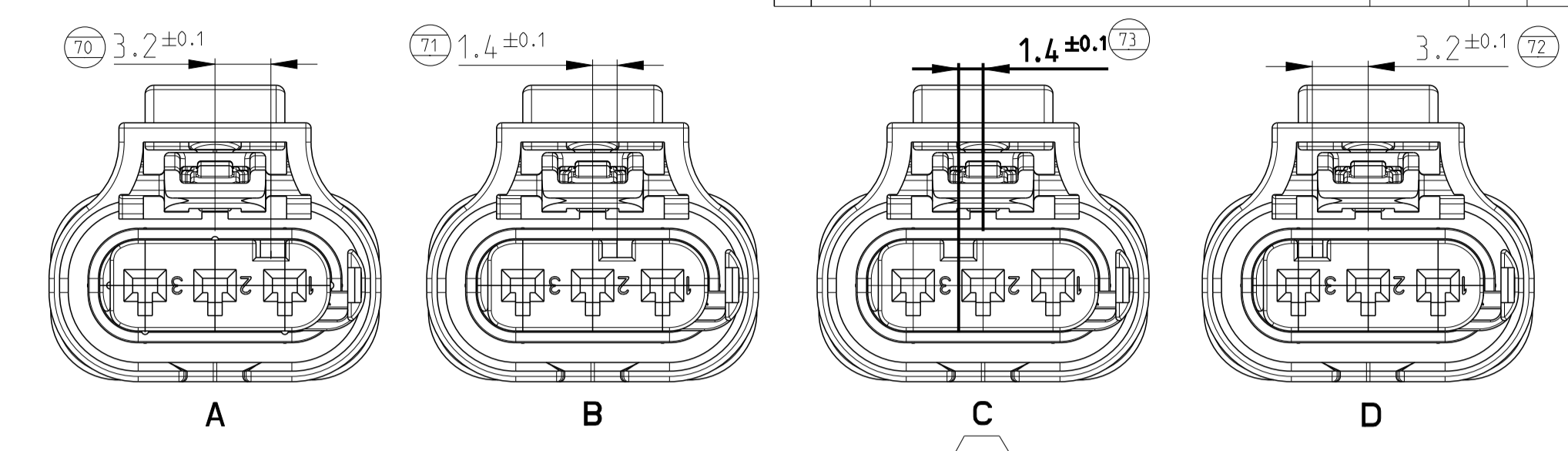


REVISIONS				
P.	LTN.	DESCRIPTION	DATE	APPROV.
C2		OUT HSG DESIGN UPDATED WITH CUTOUT	18JUL2016	SzN LSz
C3		CODING C ADDED	09JAN2017	LSz SzN
C4		CODING C WITH CPA VERSION ADDED	07JUN2017	SzN LSz
C5		ADDITIONAL INFO ON WIRE CROSSSECTION	29AUG2019	SzN LSz

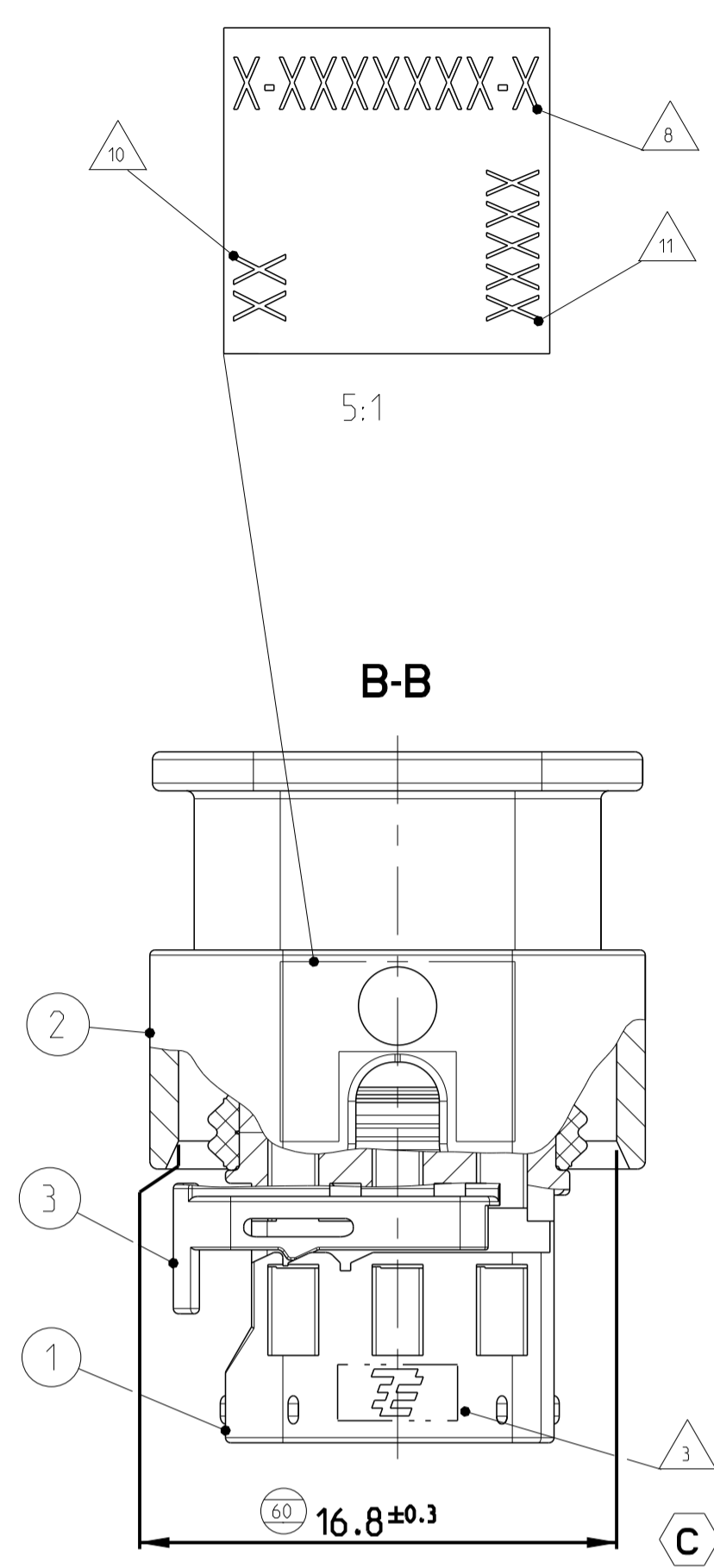
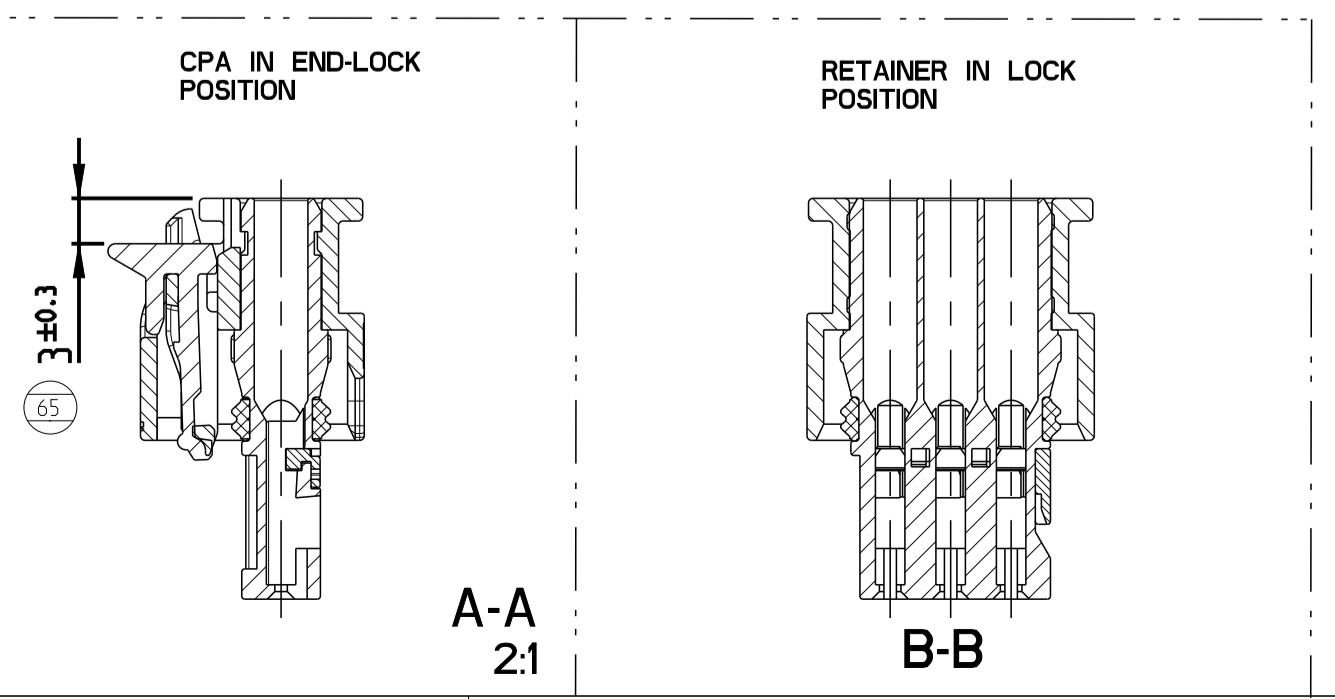
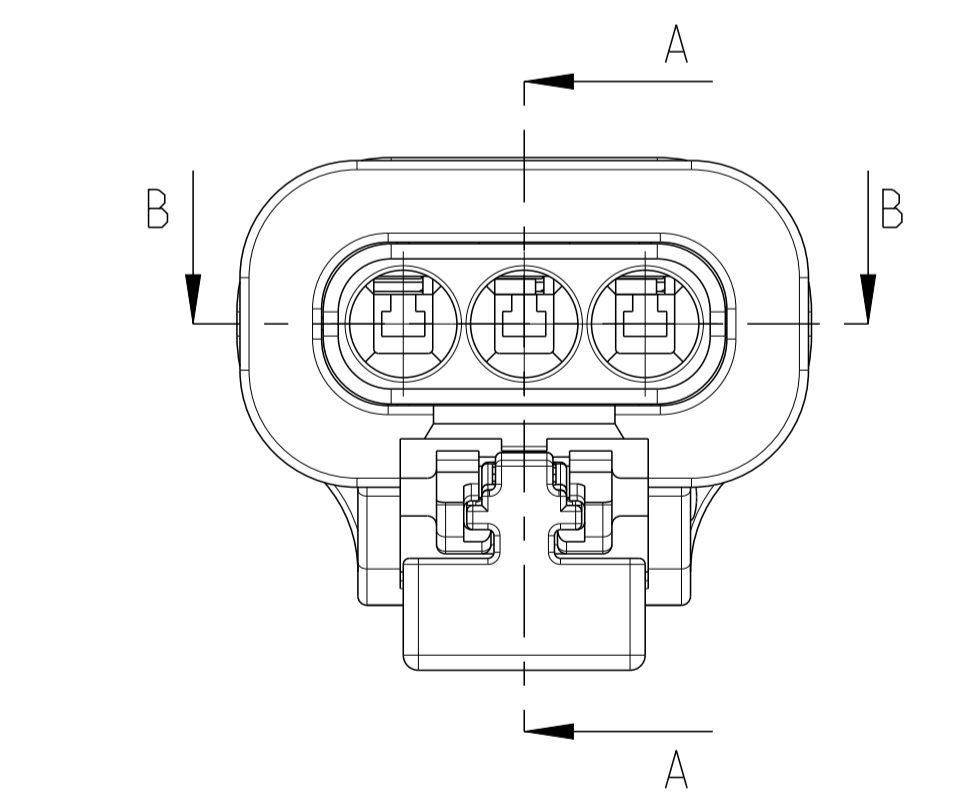
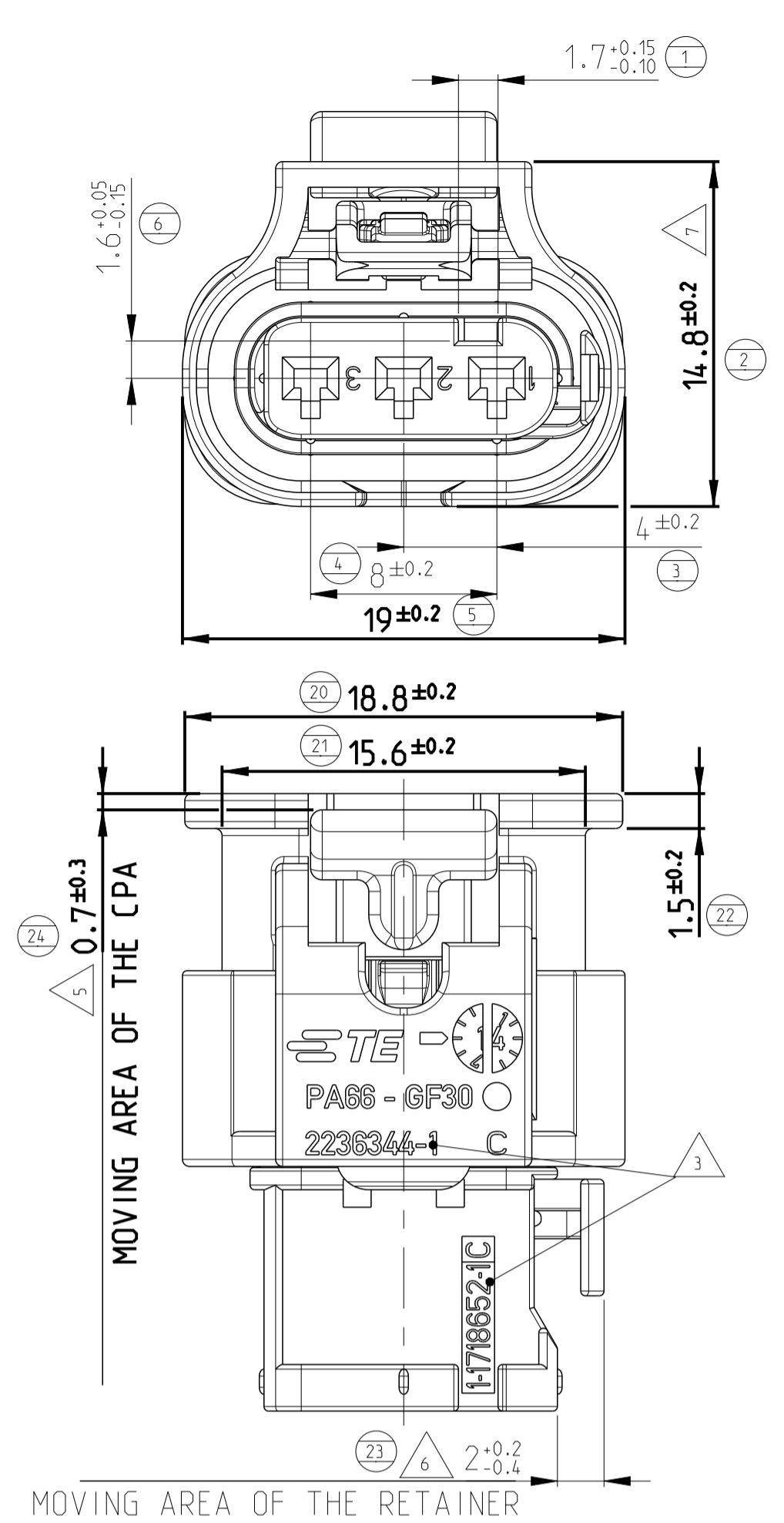
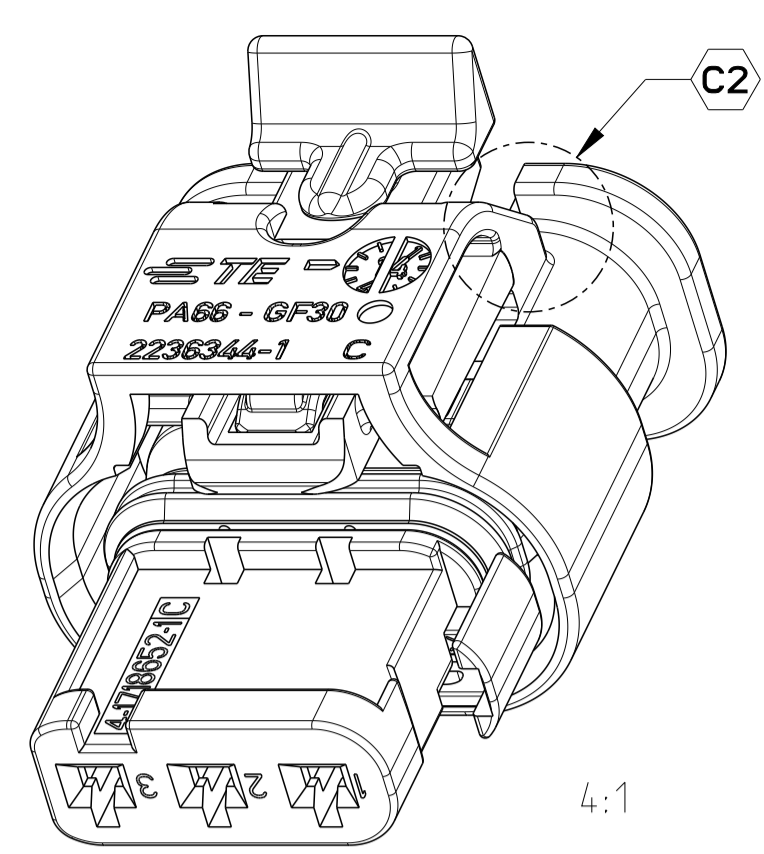
CODING



NOTES:

- USABLE CONTACTS MCON 1.2
SEE TE Connectivity -NO. 1452674, VERSION SINGLE WIRE SEAL
- MAX. WIRE SIZE RANGE 1.5 mm² FLR PERMITTED FOR CAVITY-Ø 3.55MM
QUANTITY SEE WIRE HARNESS DRAWING
FOR PERMISSIBLE CURRENT CARRYING CAPACITY OF THE SINGLE CONTACT SEE PRODUCT SPECIFICATION NO.108-18782
- SUPPLIER-MARK
- SPACE OF ACTIVITY
- SUPPLY CONDITION: CPA IN PRELOCKED POSITION
- SUPPLY CONDITION: RETAINER IN PRELOCKED POSITION
- WARPAGE PERMITTED TO MAX. -0.5mm
- TE Connectivity ORDER-NO.
- ACCORDING TO INTERFACE DRAWING
SEE TE-NO. 114-18679-3
- ASSEMBLY LINE SEGMENT IDENTIFICATION
- DATE CODE (DDYY)

CODING A AS SHOWN



TE-ORDER-NO.	COD	DESCRIPTION	REV	QTY	DESCRIPTION	MATERIAL	SURFACE/COLOR	ITEM
4-2236343-5	D	CONNECTOR 3POS.	C	1	CPA	PBT GF33	RED	5
				1	3pos SEAL	SILICONE RUBBER	GREEN	4
				1	3pos RETAINER	PA66-GF15	VIOLETT - SIMILAR TO RAL 4006	3
				1	3pos OUTER HOUSING	PA66-GF30	BLACK - SIMILAR TO RAL 9011	2
				1	3pos INNER HOUSING	PA66-GF30	VIOLETT - SIMILAR TO RAL 4006	1
3-2236343-5	C	CONNECTOR 3POS	C4	1	CPA	PBT - GF33	RED	5
				1	3pos SEAL	SILICONE RUBBER	GREEN	4
				1	3pos RETAINER	PA66 - GF15	VIOLETT - SIMILAR TO RAL 4006	3
				1	3pos OUTER HOUSING	PA66 - GF30	BLACK - SIMILAR TO RAL 9011	2
				1	3pos INNER HOUSING	PA66 - GF30	BLUE - SIMILAR TO RAL 5012	1
2-2236343-5	B	CONNECTOR 3POS.	C	1	CPA	PBT GF33	RED	5
				1	3pos SEAL	SILICONE RUBBER	GREEN	4
				1	3pos RETAINER	PA66-GF15	VIOLETT - SIMILAR TO RAL 4006	3
				1	3pos OUTER HOUSING	PA66-GF30	BLACK - SIMILAR TO RAL 9011	2
				1	3pos INNER HOUSING	PA66-GF30	NATURE	1
1-2236343-5	A	CONNECTOR 3POS.	C	1	CPA	PBT GF33	RED	5
				1	3pos SEAL	SILICONE RUBBER	GREEN	4
				1	3pos RETAINER	PA66-GF15	VIOLETT - SIMILAR TO RAL 4006	3
				1	3pos OUTER HOUSING	PA66-GF30	BLACK - SIMILAR TO RAL 9011	2
				1	3pos INNER HOUSING	PA66-GF30	BLACK - SIMILAR TO RAL 9011	1
4-2236343-1	D	CONNECTOR 3POS.	C	1	3pos SEAL	SILICONE RUBBER	GREEN	4
				1	3pos RETAINER	PA66-GF15	VIOLETT - SIMILAR TO RAL 4006	3
				1	3pos OUTER HOUSING	PA66-GF30	BLACK - SIMILAR TO RAL 9011	2
				1	3pos INNER HOUSING	PA66-GF30	VIOLETT - SIMILAR TO RAL 4006	1
				1	3pos SEAL	SILICONE RUBBER	GREEN	4
3-2236343-1	C	CONNECTOR 3POS.	C3	1	3pos SEAL	SILICONE RUBBER	GREEN	4
				1	3pos RETAINER	PA66-GF15	VIOLETT - SIMILAR TO RAL 4006	3
				1	3pos OUTER HOUSING	PA66-GF30	BLACK - SIMILAR TO RAL 9011	2
				1	3pos INNER HOUSING	PA66-GF30	BLUE - SIMILAR TO RAL 5012	1
				1	3pos SEAL	SILICONE RUBBER	GREEN	4
2-2236343-1	B	CONNECTOR 3POS.	C	1	3pos SEAL	SILICONE RUBBER	GREEN	4
				1	3pos RETAINER	PA66-GF15	VIOLETT - SIMILAR TO RAL 4006	3
				1	3pos OUTER HOUSING	PA66-GF30	BLACK - SIMILAR TO RAL 9011	2
				1	3pos INNER HOUSING	PA66-GF30	NATURE	1
				1	3pos SEAL	SILICONE RUBBER	GREEN	4
1-2236343-1	A	CONNECTOR 3POS.	C	1	3pos SEAL	SILICONE RUBBER	GREEN	4
				1	3pos RETAINER	PA66-GF15	VIOLETT - SIMILAR TO RAL 4006	3
				1	3pos OUTER HOUSING	PA66-GF30	BLACK - SIMILAR TO RAL 9011	2
				1	3pos INNER HOUSING	PA66-GF30	BLACK - SIMILAR TO RAL 9011	1
				1	3pos SEAL	SILICONE RUBBER	GREEN	4

TOLERANCES UNLESS OTHERWISE SPECIFIED ACC. TO DIN 16901-140. CENTRIC TO NOMINAL DIMENSION, EDITION 1982-11 SHALL APPLY. FEINMESSSTUHLNACH DIN 16901-140. Es gilt die Ausgabe 1982-11.

PRODUCT CHARACTERISTICS ACC. QMP EMEA_12
 BESONDERE MERKMALE NACH QMP EMEA_12

THIS DRAWING IS A CONTROLLED DOCUMENT.

OWNER: SzNemes 30JAN2014
 CHG: G.BENCZUC 30JAN2014
 APVD: G.BENCZUC 30JAN2014

NAME: 3pos. MCON 1.2 - LL Connector Sealed (high temp.)

APPLICATION SPEC: 108-18969-3

SIZE: 114-18861

WEIGHT: -

CUSTOMER DRAWING

SCALE: 4:1 SHEET: 1 OF 1 REV: C5

X-ON Electronics

Largest Supplier of Electrical and Electronic Components

Click to view similar products for [Automotive Connectors](#) category:

Click to view products by [TE Connectivity](#) manufacturer:

Other Similar products are found below :

[003-018-000](#) [60993906-B](#) [M902-2131](#) [M902-2161](#) [M902-2344](#) [72.330.1035.1](#) [73.353.4028.0](#) [F166900](#) [F358300-B](#) [F407400](#) [776880-1](#)
[827153-1](#) [8N1515-32-24P](#) [9-1326729-8](#) [925474-1](#) [928905-1](#) [964562-4](#) [968782-1](#) [98891-1012](#) [12004475-L](#) [12020308](#) [12041318-B](#)
[12052466](#) [12064869](#) [12015909](#) [1-21030-1](#) [12041254](#) [12041318](#) [12047946-B](#) [12110546-B](#) [12131792](#) [12084688](#) [12092346](#) [HD34-18-14PT](#)
[HD46-24-23SN-059](#) [HDB36-24-16PN-059](#) [HDP26-24-9SE-L015](#) [12185280](#) [12185550](#) [12336-12](#) [12191172-B](#) [12S](#) [13545280](#) [13577943](#)
[13681974](#) [13737722-B](#) [13830674](#) [13832576](#) [13849772](#) [13542772](#)