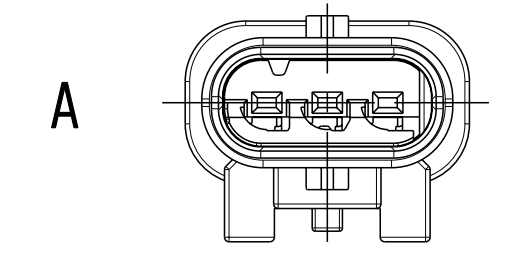
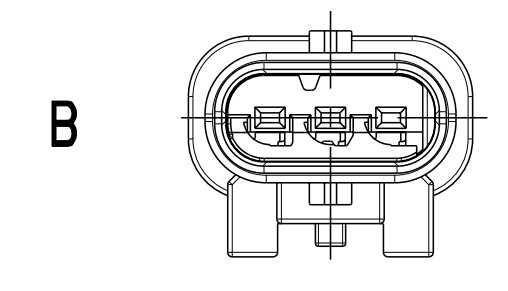


REVISIONS				
#	DATE	DESCRIPTION	DATE	APVD
A		New drawing	02JUN2014	MT HR
A1		ECR-14-018531	11DEC2014	MT HR
A2		ECR-16-003418	05MAR2016	GN GB

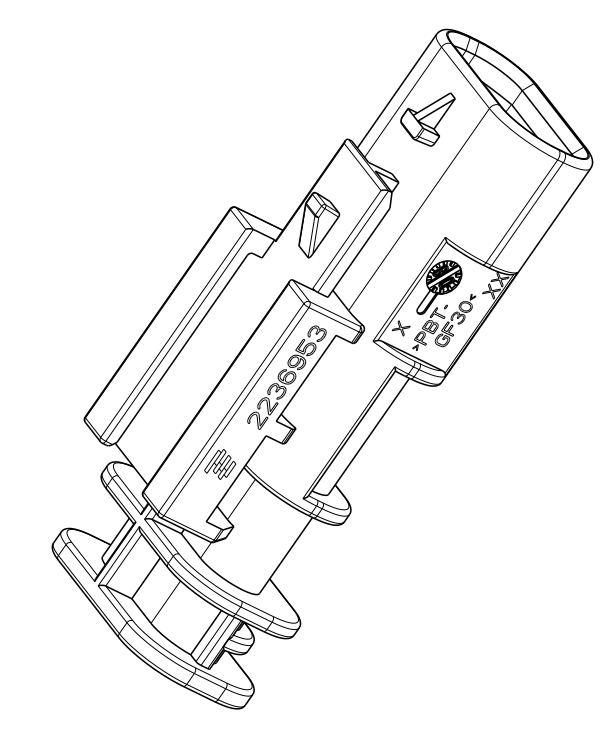
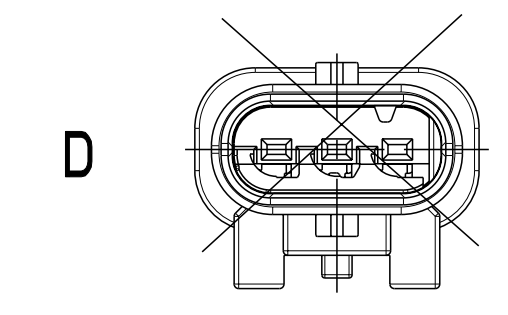
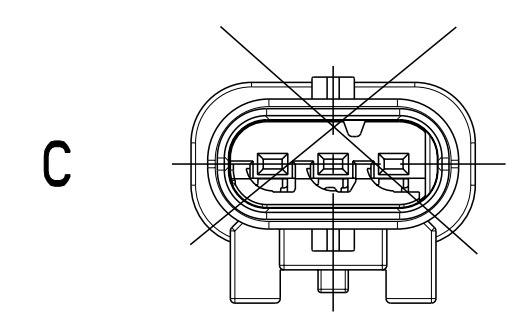
CODINGS
KODIERUNGEN
2:1



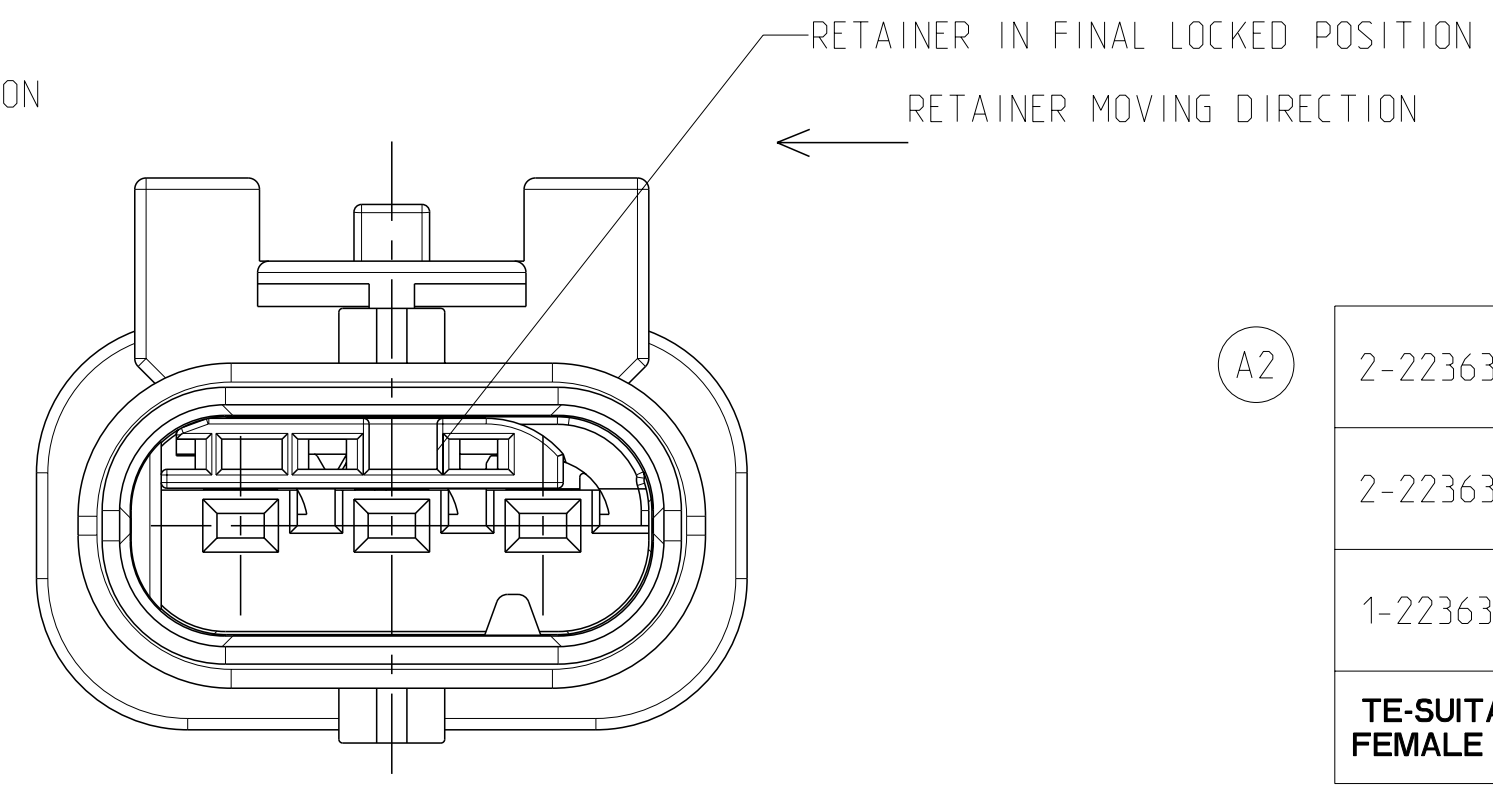
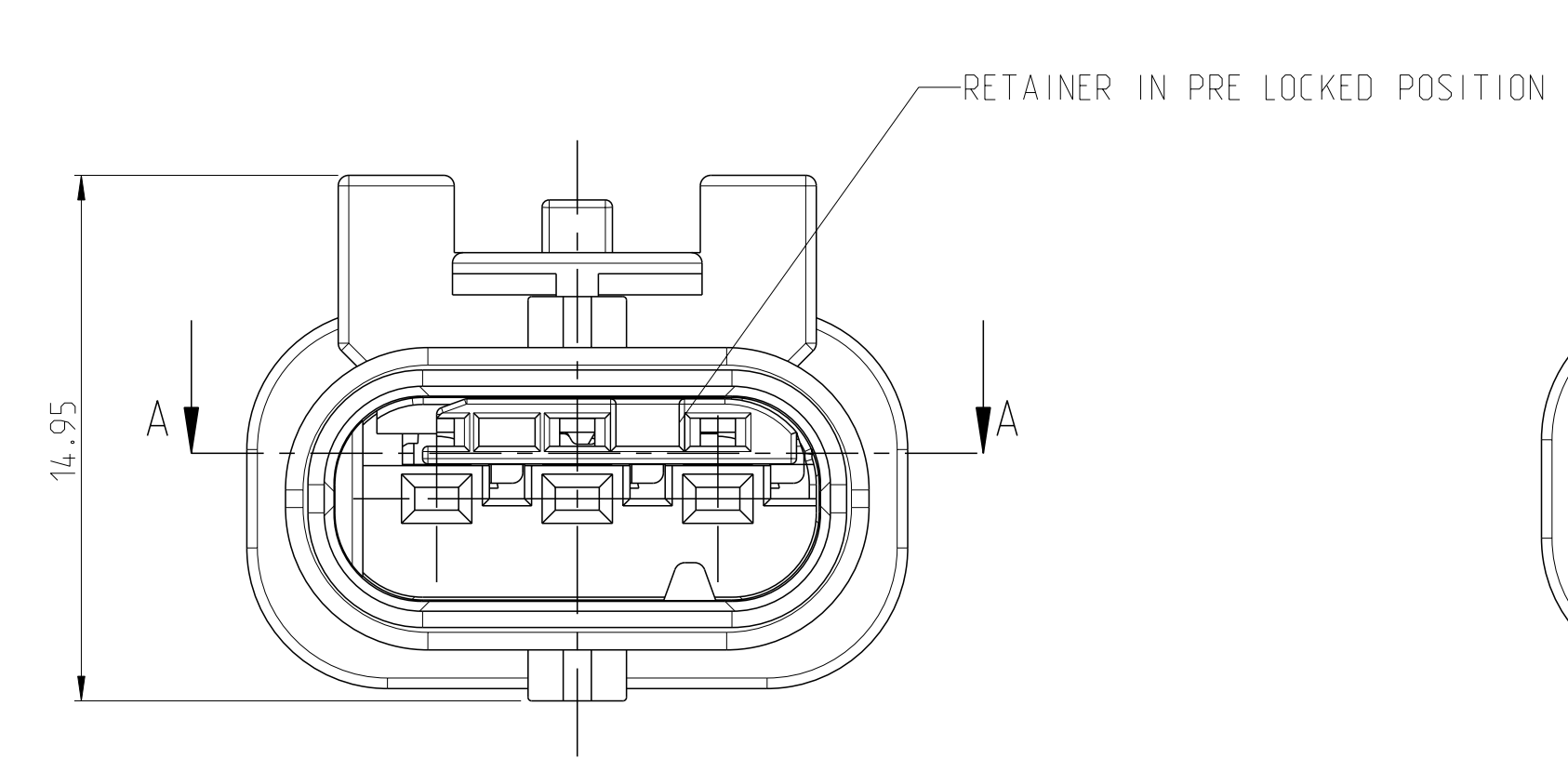
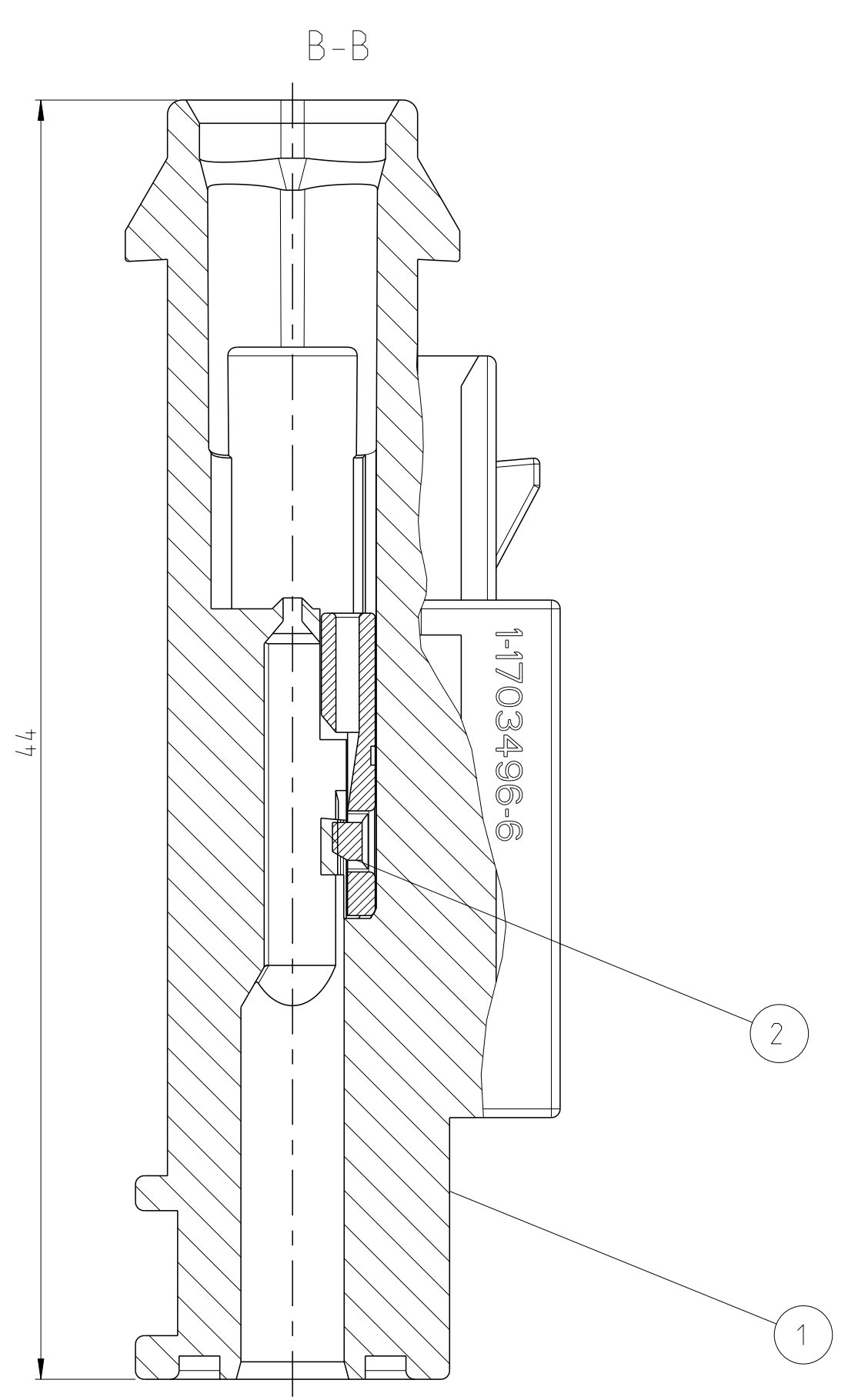
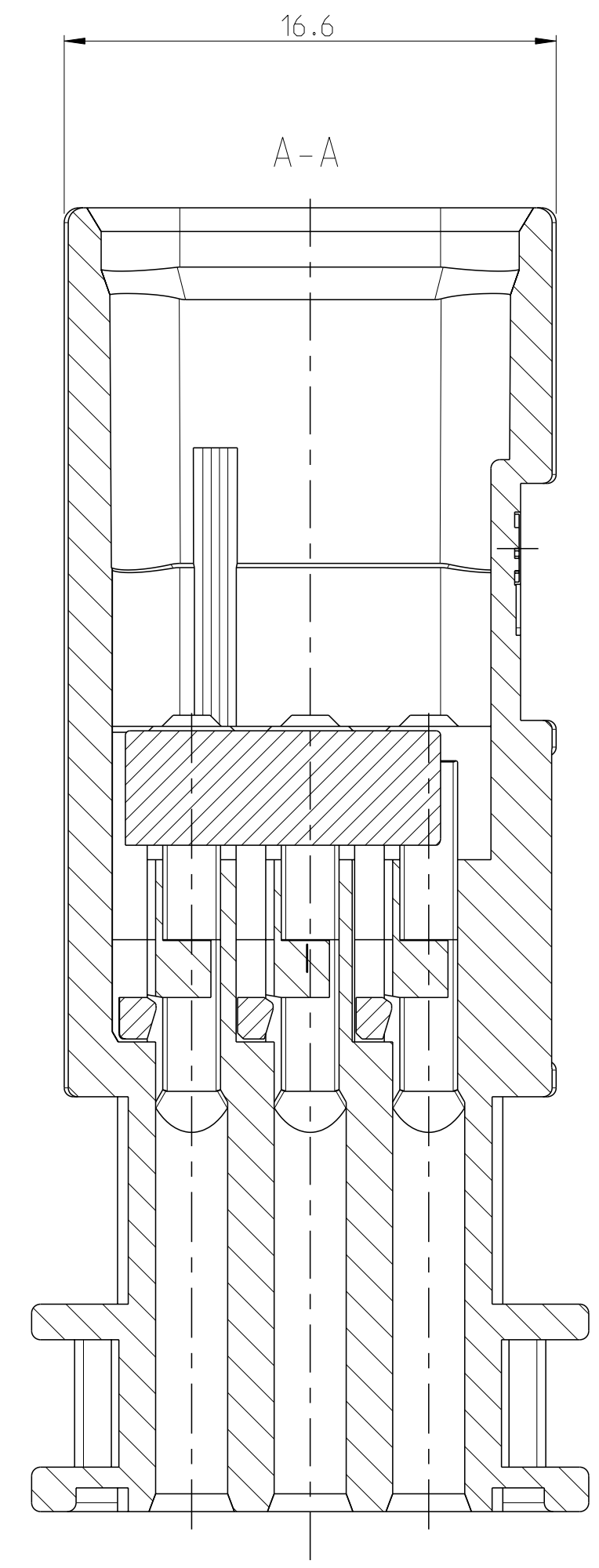
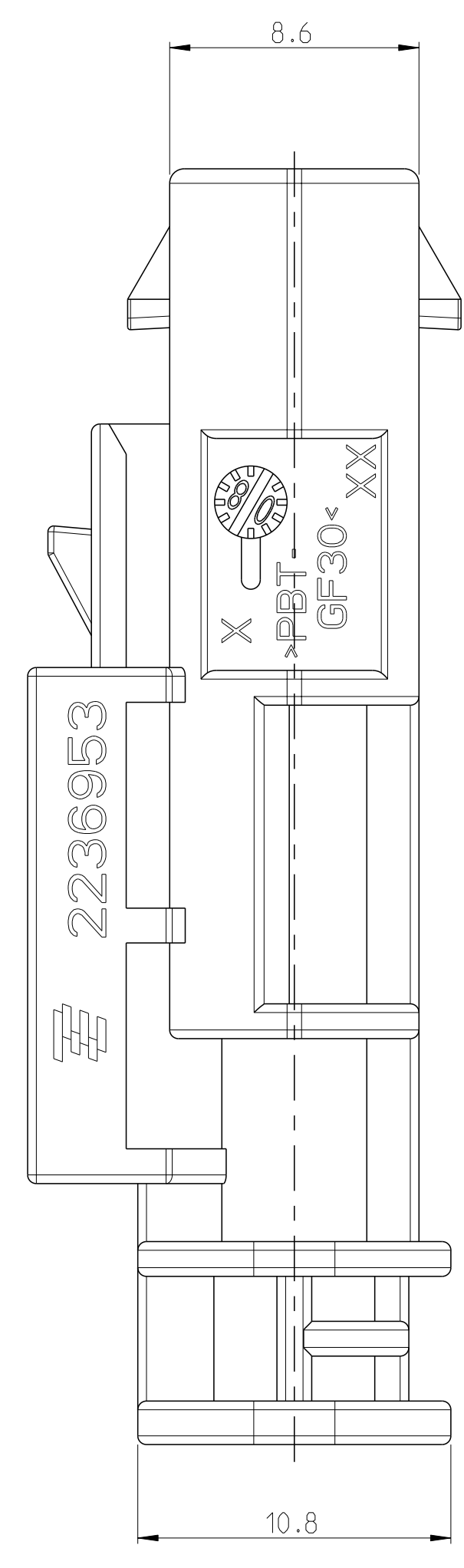
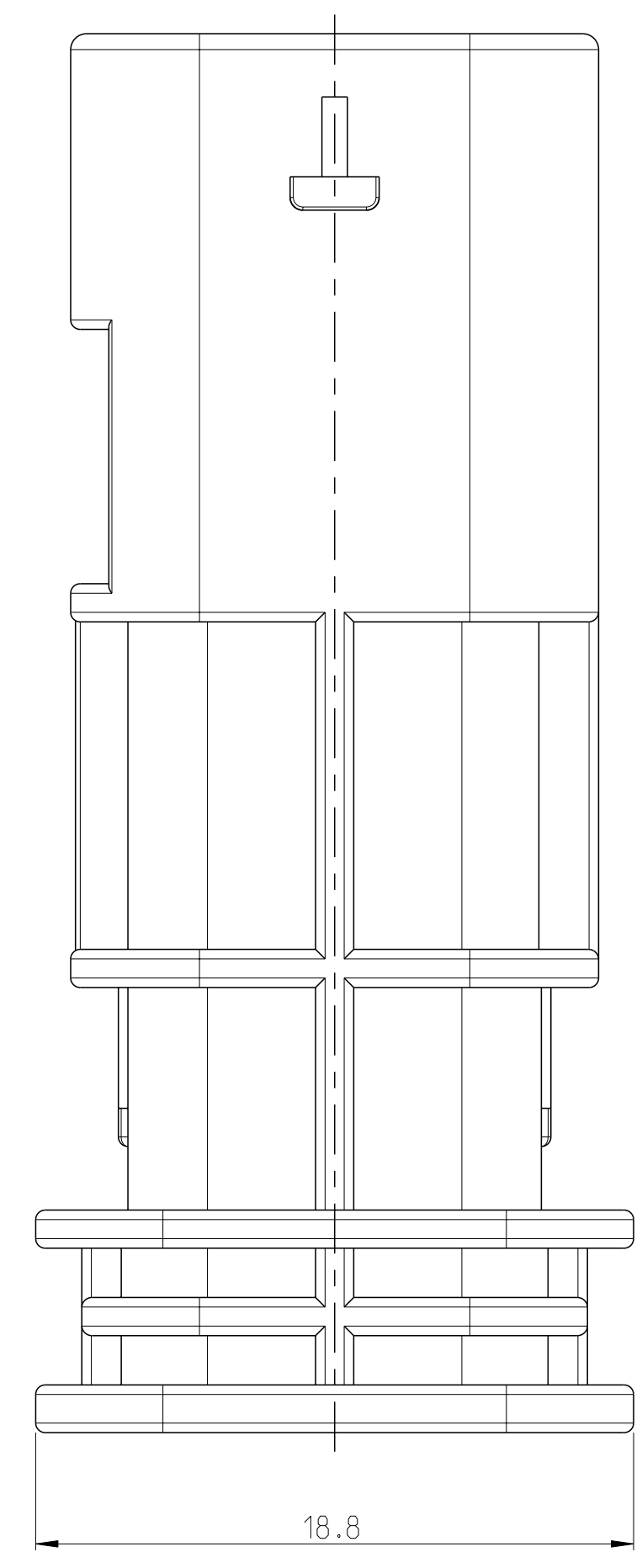
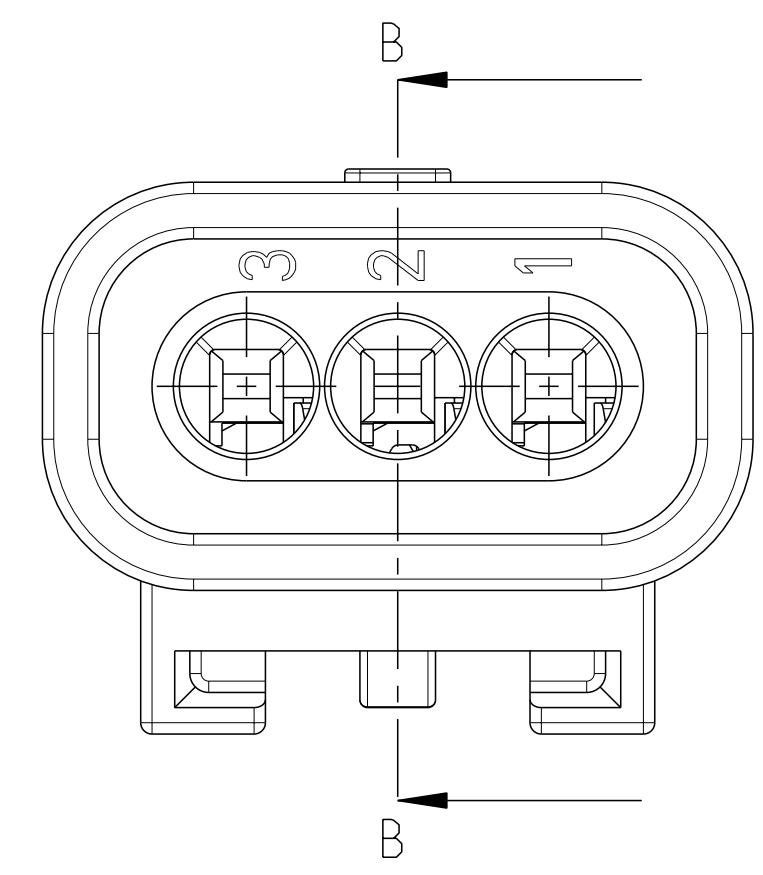
A
1-2236953-5
BLACK
(HIGH TEMP. MAX. 150 °C)



B
2-2236953-5 BLACK
2-2236953-6 GREY
(HIGH TEMP. MAX. 150 °C)



PN 1-2236953-5 AS SHOWN



TE-SUITABLE FEMALE HSG.	TE-ORDER-NO.	REV.	CODE	TITLE	QTY	TITLE	MATERIAL	SURFACE/COLOUR	ITEM
2-2236343-5	2-2236953-6	A	B	MALE HOUSING 3POS.	1	RETAINER	PA66-GF35	VIOLET	2
					1	MALE HOUSING	PBT-GF30	GREY	1
2-2236343-5	2-2236953-5	A	B	MALE HOUSING 3POS.	1	RETAINER	PA66-GF35	VIOLET	2
					1	MALE HOUSING	PBT-GF30	BLACK	1b
1-2236343-5	1-2236953-5	A	A	MALE HOUSING 3POS.	1	RETAINER	PA66-GF35	VIOLET	2
					1	MALE HOUSING	PBT-GF30	BLACK	1a


REGRIND MAX. 25%

THIS DRAWING IS A CONTROLLED DOCUMENT.		OWN: M. TRAJKOV	22JAN2014	NAME: MALE HSG. 3POS., MCON 1.2 SEALED (HIGH TEMP.)	
DIMENSIONS: mm		CHK: H. RIPPER	22JAN2014	PRODUCT SPEC: 108-94.177-1	
TOLERANCES UNLESS OTHERWISE SPECIFIED:		APVD: -		APPLICATION SPEC: -	
0 PLC ±0.5		MATERIAL: -		SIZE: 114-18910-1	
1 PLC ±0.5		FINISH: -		WEIGHT: -	
2 PLC ±0.5		Customer Drawing		SCALE: 5:1	
3 PLC ±		SHEET 1 OF 2		REV: A2	
4 PLC ±		RESTRICTED TO			
ANGLES ±°					

THIS DRAWING IS UNPUBLISHED. RELEASED FOR PUBLICATION 20
 © COPYRIGHT 20 BY . ALL RIGHTS RESERVED.

REVISIONS				
#	DATE	DESCRIPTION	DATE	APVD
		SEE PAGE 1st		

USED MCON 1.2mm LL MALE TERMINALS AND SEALS			
TE-PN. TERMINALS	WIRE RANGE	TE-PN. SINGLE WIRE SEAL	TE-PN. BLIND PLUG
2141868	0.14 - 0.22mm ²	967067-2	967056-1
1718758	0.25 - 0.35mm ²	967067-2	
1718760	0.5 - 0.75mm ²	967067-1	
1718762	1mm ²	967067-1	
TERMINAL TE-APPLICATION SPEC.: 114-18464.			

THIS DRAWING IS A CONTROLLED DOCUMENT.		OWN M. TRAJKOV 22JAN2014	 TE Connectivity	
DIMENSIONS: mm		CHK H. RIPPER 22JAN2014		
TOLERANCES UNLESS OTHERWISE SPECIFIED:		APVD	NAME	
0 PLC ±0.5		PRODUCT SPEC		MALE HSG., 3POS., MCON 1.2 SEALED (HIGH TEMP.)
1 PLC ±0.5		108-94177-1		
2 PLC ±0.5		APPLICATION SPEC		RESTRICTED TO
3 PLC ±		114-18910-1		
4 PLC ±		WEIGHT		SCALE 5:1 SHEET 2 OF 2 REV A2
ANGLES FINISH *°		Customer Drawing		

X-ON Electronics

Largest Supplier of Electrical and Electronic Components

Click to view similar products for [Automotive Connectors](#) category:

Click to view products by [TE Connectivity](#) manufacturer:

Other Similar products are found below :

[003-018-000](#) [60403001](#) [60993906-B](#) [M902-2131](#) [M902-2161](#) [72.330.1035.1](#) [73.353.4028.0](#) [F119300-B](#) [F166900](#) [F258300-B](#) [F358300-B](#)
[F407400](#) [F444110](#) [F487000](#) [F509500B-B](#) [827153-1](#) [8N1515-32-24P](#) [9-1326729-8](#) [925474-1](#) [928905-1](#) [964562-4](#) [968782-1](#) [GT17SA-8DS-](#)
[HU](#) [98891-1012](#) [98947-1016](#) [12004147](#) [12004475-L](#) [12010290](#) [12010309-B](#) [12015454](#) [12020219-B](#) [12020308](#) [12041318-B](#) [12052225-L](#)
[12052466](#) [12059125](#) [12064869](#) [12004327-B](#) [12010503-B](#) [12015308](#) [12015384](#) [12015909](#) [1-21030-1](#) [12041254](#) [12041318](#) [12047946-B](#)
[12047957](#) [12047957-L](#) [12059473](#) [12066261](#)