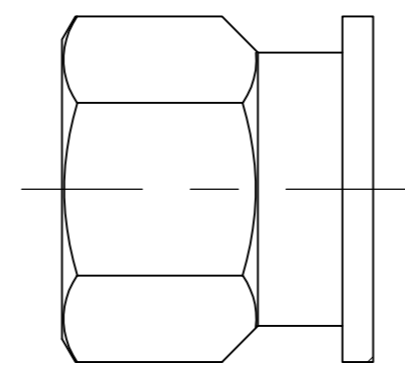


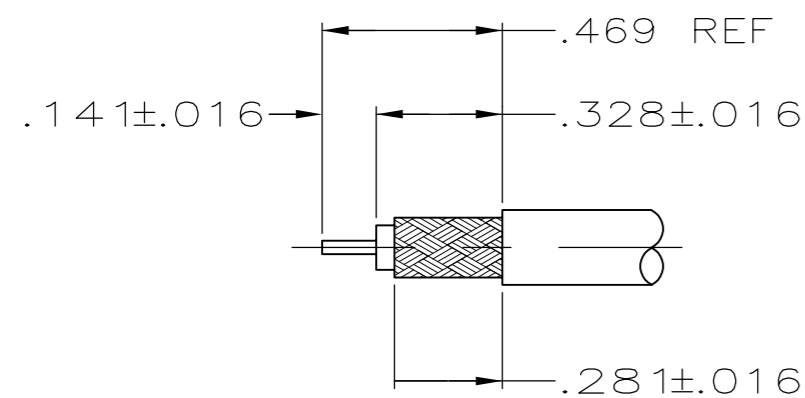
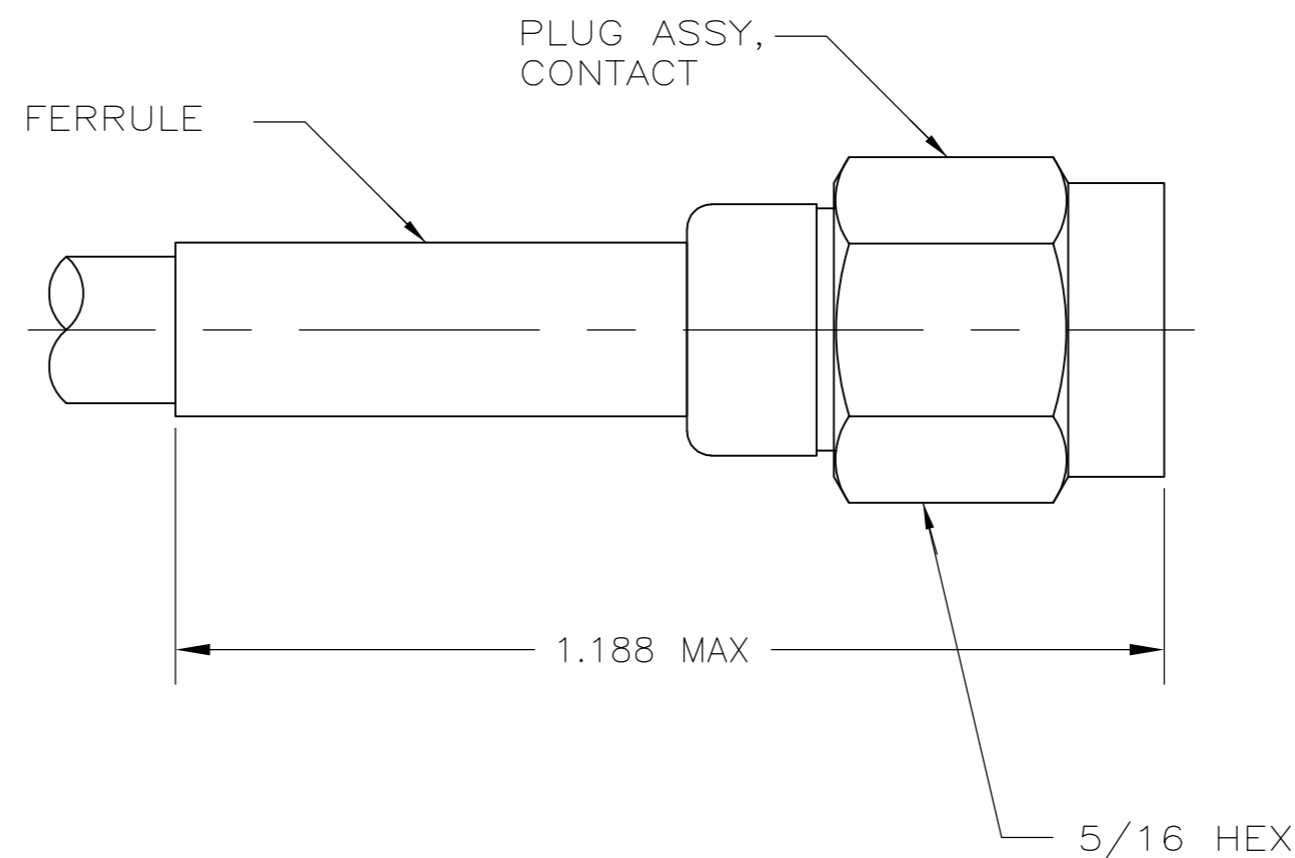
THIS DRAWING IS UNPUBLISHED. RELEASED FOR PUBLICATION
 © COPYRIGHT - By - ALL RIGHTS RESERVED.

LOC		DIST		REVISIONS			
P	LTR	DESCRIPTION	DATE	DWN	APVD		
DF	X0	H	REVISED	18OCT12	PY	DW	

PART	MATERIAL	FINISH
INNER FURRULE SHELL	STAINLESS STEEL PER ASTM A484 & A582 TYPE 303	PASSIVATE PER QQ-P-35
COUPLING NUT		
DIELECTRIC	PTFE PER ASTM D 1457	-
SEAL	SILICONE RUBBER PER ZZ-R-765	-
RETAINING RING	BeCu PER ASTM B 194 ALLOY 172 CONDITION H	-
FERRULE	COPPER OR BRASS ALLOY, ROCKWELL F65 MAX	SEE TABLE
CONTACT	BRASS PER ASTM B16	GOLD PLATE PER MIL-DTL-45204



COUPLING NUT FOR 225532-1, -3, -4, -9, & -10



RECOMMENDED STRIP LENGTH
SCALE: 2:1

TIN PLATE PER ASTM B545	∅.115	∅.0680	∅.024	WITHOUT	RG-179B & 187A	-	5-225532-8
TIN PLATE PER ASTM B545	∅.115	∅.0650	∅.024	WITHOUT	RG-174, 188 & 316	-	1-225532-5
TIN PLATE PER ASTM B545	∅.230	∅.1210	∅.042	WITHOUT	RG-142, 142A & 142B	-	1-225532-4
SILVER PLATE PER QQ-S-365	∅.130	∅.0650	∅.024	WITHOUT	DBL BRAID RG-188 & 316	-	1-225532-1
TIN LEAD PLATE PER ASTM B545	∅.230	∅.1210	∅.042	WITH	RG-55A & 223	M39012/55B3023	1-225532-0
TIN LEAD PLATE PER ASTM B545	∅.207	∅.1210	∅.042	WITH	RG-141, 141A & 303	M39012/55B3024	225532-9
TIN LEAD PLATE PER ASTM B545	∅.115	∅.0680	∅.024	WITHOUT	RG-179B & 187A	-	225532-8
TIN LEAD PLATE PER ASTM B545	∅.115	∅.0650	∅.024	WITH	RG-174, 188 & 316	M39012/55B3019	225532-4
TIN LEAD PLATE PER ASTM B545	∅.230	∅.1210	∅.042	WITH	RG-142, 142A & 142B	M39012/55B3022	225532-3
TIN LEAD PLATE PER ASTM B545	∅.207	∅.1210	∅.042	WITH	RG-58A & 58C	M39012/55B3021	225532-1
FERRULE PLATING	FERRULE	HOUSING	CONTACT	SAFETY WIRE HOLES	CABLE SIZE	MILITARY P/N	PART NUMBER
	CABLE ENTRY DIAMETER						

THIS DRAWING IS A CONTROLLED DOCUMENT.

DWN	P. YEAGER	01MAR06
CHK	F. BLASICK	01MAR06
APVD	F. BLASICK	01MAR06

TE Connectivity

NAME: PLUG ASSEMBLY SERIES SMA

PRODUCT SPEC: 108-12027

APPLICATION SPEC: 408-2322

WEIGHT: .134 OZ

SCALE: 5:1 SHEET: 1 of 1 REV: H

CUSTOMER DRAWING

X-ON Electronics

Largest Supplier of Electrical and Electronic Components

Click to view similar products for [RF Connectors](#) / [Coaxial Connectors](#) category:

Click to view products by [TE Connectivity](#) manufacturer:

Other Similar products are found below :

[R125315120](#) [8915-1511-000](#) [89674-0827](#) [5916-1103-603](#) [6-0001-3](#) [6001-7071-019](#) [6002-7051-003](#) [6002-7551-202](#) [6059674-1](#) [619550-1](#)
[630059-000](#) [M39012/25-0021](#) [M39012/79-3008](#) [M39030/3-01N](#) [M39030/3-03N](#) [M3933/25-36N](#) [6500-7071-046](#) [M83723/72W24576](#)
[M83723/72W2457N](#) [6769](#) [CX050L2AQ](#) [7002-1541-010](#) [7002-1572-002](#) [7003-1572-002](#) [7010-1511-000](#) [7029-1511-060](#) [7101-1541-010](#)
[7101-1571-002](#) [7105-1521-002](#) [7145-1521-002](#) [7209-1511-011](#) [7210-1511-015](#) [7210-1511-019](#) [7225-1512-050](#) [7242-1511-000](#) [73137-5015](#)
[73251-0111](#) [73251-0672](#) [7325-1512-000](#) [73276-1501](#) [73366-0013](#) [73404-2300](#) [73413-6080](#) [73415-5721](#) [7405-1521-005](#) [7405-1521-802](#)
[7406-1521-005](#) [804S01D04M040](#) [8145-1521-002](#) [81590](#)