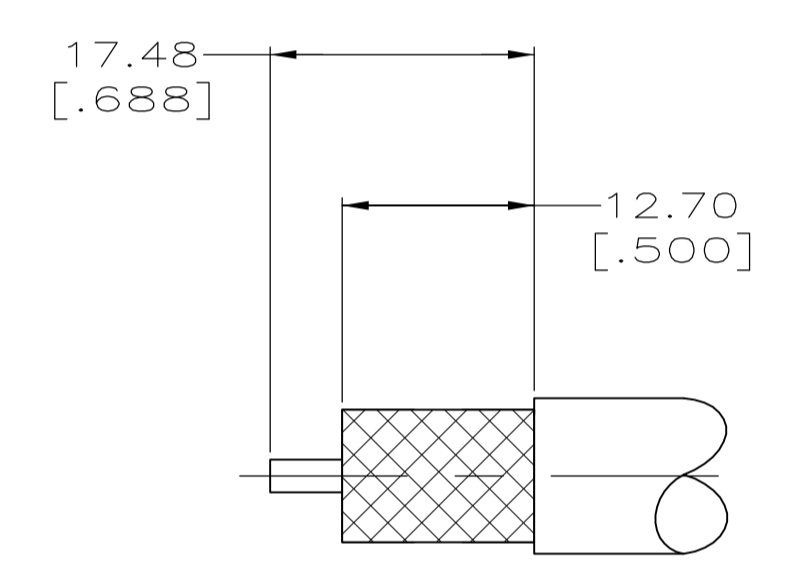
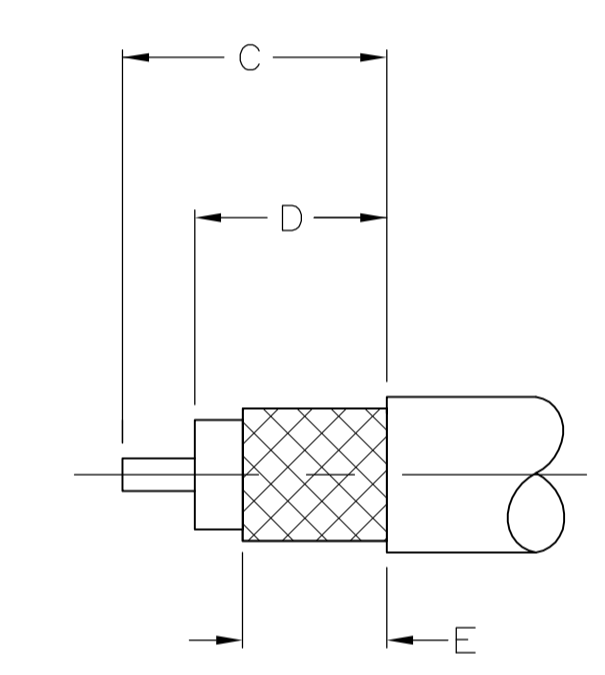


- 1. SEE I.S. 2028-1
- 2. SEE SEPERATE RESTRICTED CUSTOMER DRAWING
- 3. SAME AS 1-225661-8 EXCEPT PACKAGE 10 PER BOX
- 4. OBSOLETE PARTS: OBSOLETE CIS STREAMLINING PER D.RENAUD/D.SINISI



DETAIL A  
SCALE 2:1



DETAIL B  
SCALE 2:1

RECOMMENDED STRIP LENGTH

	OBSOLETE	RG-58A/U & 58C/U	220045-2	8.71 [.343]	10.31 [.406]	15.09 [.594]	B	9-225381-0	225343-2	225342-3	9-225661-2	
	2	OBSOLETE	RG-213/U	220015-1	9.53 [.375]	12.70 [.500]	17.45 [.687]	B	9-51713-0	2-51695-1	51701-6	9-225661-1
		OBSOLETE	RG-9/U & 214/U	220015-1	-	-	-	A	9-51713-0	2-51695-1	51701-6	9-225661-0
	3	SUPERSEDED	-	-	-	-	-	-	-	-	-	1-225661-9
	4	OBSOLETE	-	-	-	-	-	-	-	-	-	1-225661-8
		SUPERSEDED	BELDEN 8214	220015-1	9.53 [.375]	12.70 [.500]	17.45 [.687]	B	9-51713-0	1-51695-2	51701-6	1-225661-6
		OBSOLETE	RG-142/U,142A/U, & 142B/U	220045-2	8.71 [.343]	10.31 [.406]	15.09 [.594]	B	225382-3	225343-4	225342-3	1-225661-5
		SUPSPD BY 1-225662-4	RG-141/U,141A/U & BELDEN YR-20621	220045-2	8.71 [.343]	10.31 [.406]	15.09 [.594]	B	225381-3	225343-4	225342-3	1-225661-4
		SUPERSEDED	RG-55A & 223	220045-2	8.71 [.343]	10.31 [.406]	15.09 [.594]	B	9-225382-0	225343-2	225342-3	1-225661-3
			RG-58A/U & 58C/U	220045-2	8.71 [.343]	10.31 [.406]	15.09 [.594]	B	9-225381-0	225343-2	225342-3	1-225661-2
		OBSOLETE	RG-115A/U	220015-1	-	-	-	A	51713-9	2-51695-1	51701-7	1-225661-0
		OBSOLETE	RG-216/U	220015-1	-	-	-	A	51713-9	2-51695-2	51701-6	225661-5
			RG-213/U	220015-1	9.53 [.375]	12.70 [.500]	17.45 [.687]	B	9-51713-0	2-51695-1	51701-6	225661-2
			RG-9/U & 214/U	220015-1	-	-	-	A	9-51713-0	2-51695-1	51701-6	225661-1
			CABLE	CRIMPING TOOL	E	D	C	DETAIL	3 FERRULE QTY=1	2 CONTACT QTY=1	1 PLUG ASSY QTY=1	PART NUMBER

THIS DRAWING IS A CONTROLLED DOCUMENT.

DIMENSIONS:	TOLERANCES UNLESS OTHERWISE SPECIFIED:	DWG	9-24-90
mm [INCHES]		NIK FRITZ	2-28-91
0 PLC ± -		M. SNFED	
1 PLC ± -		R. HENRY	2-28-91
2 PLC ± 0.41 [016]			
3 PLC ± -			
4 PLC ± -			
ANGLES ± -			

MATERIAL: - FINISH: -

WEIGHT: -

SIZE: A1

CAGE CODE: 00779

DRAWING NO: 225661

RESTRICTED TO: -

CUSTOMER DRAWING

SCALE: 4:1

SHEET: 1 of 1

REV: K3

STE TE Connectivity

PLUG, SERIES N

## X-ON Electronics

Largest Supplier of Electrical and Electronic Components

*Click to view similar products for [RF Connectors / Coaxial Connectors](#) category:*

*Click to view products by [TE Connectivity](#) manufacturer:*

Other Similar products are found below :

[R125315120](#) [8915-1511-000](#) [89674-0827](#) [5916-1103-603](#) [6-0001-3](#) [6001-7071-019](#) [6002-7051-003](#) [6002-7551-202](#) [6059674-1](#) [619550-1](#)  
[630059-000](#) [M39012/25-0021](#) [M39012/79-3008](#) [M39030/3-01N](#) [M39030/3-03N](#) [M3933/25-36N](#) [6500-7071-046](#) [M83723/72W24576](#)  
[M83723/72W2457N](#) [6769](#) [CX050L2AQ](#) [7002-1541-010](#) [7002-1572-002](#) [7003-1572-002](#) [7010-1511-000](#) [7029-1511-060](#) [7101-1541-010](#)  
[7101-1571-002](#) [7105-1521-002](#) [7145-1521-002](#) [7209-1511-011](#) [7210-1511-015](#) [7210-1511-019](#) [7225-1512-050](#) [7242-1511-000](#) [73137-5015](#)  
[73251-0111](#) [73251-0672](#) [7325-1512-000](#) [73276-1501](#) [73366-0013](#) [73404-2300](#) [73413-6080](#) [73415-5721](#) [7405-1521-005](#) [7405-1521-802](#)  
[7406-1521-005](#) [804S01D04M040](#) [8145-1521-002](#) [81590](#)