

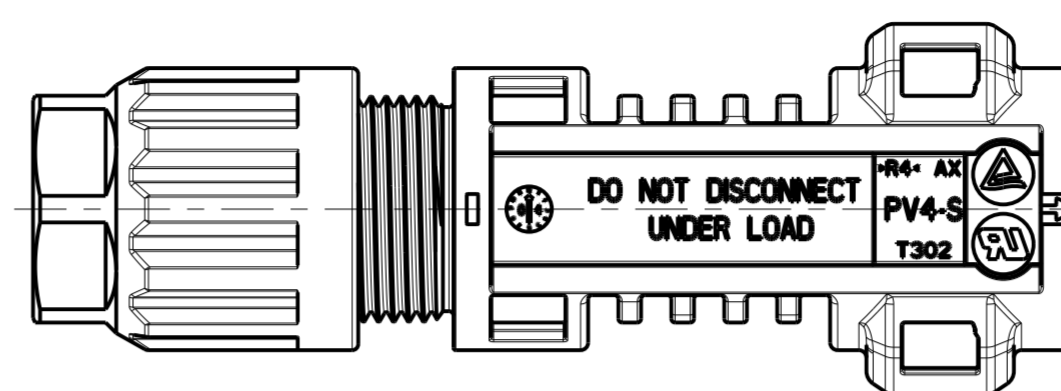
LOC	DIST	REVISIONS					
		P	LTR	DESCRIPTION	DATE	DWN	APVD
-	-	B1		UPDATED CABLE DIAMETER	01JUN2018	GCM	MZ
		B2		REVISED DRAWING	28SEP2018	MZ	MZ
		B3		ADDED NEW P/Ns	25NOV2019	MZ	PO
		B4		ADDED NEW P/N -5	18JAN2021	MZ	MZ

1 SPECIFICATION:

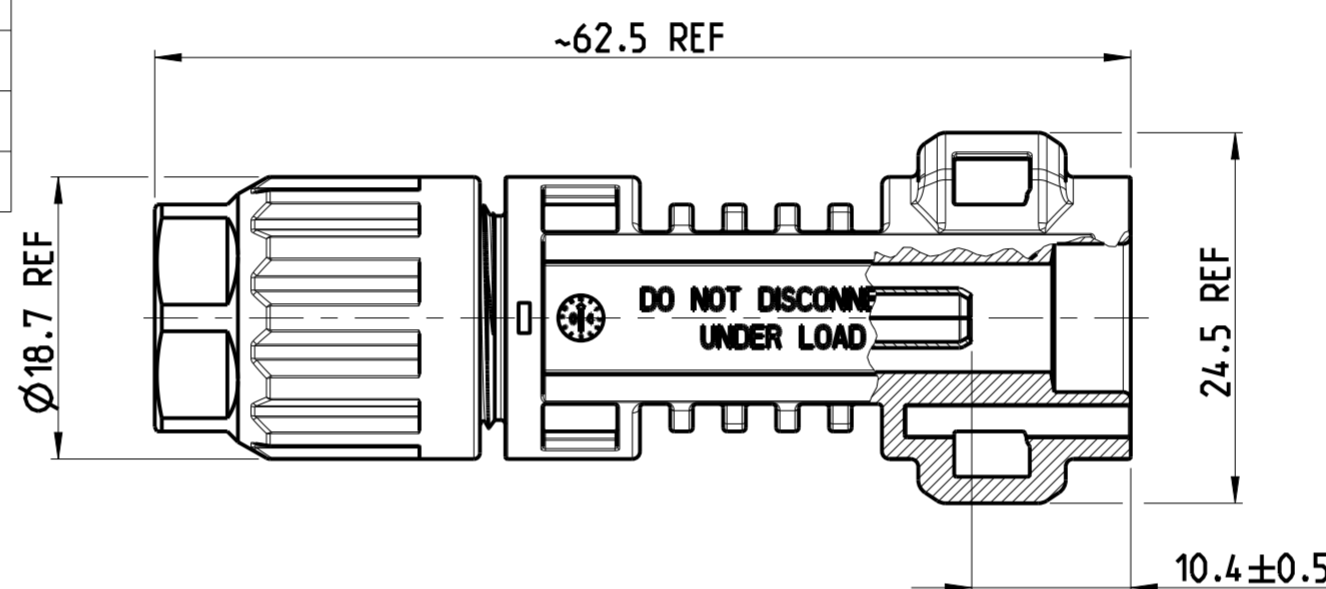
CABLE CONDUCTOR SIZE	2.5MM ² /14AWG	4.0MM ² /AWG12	6.0MM ² /AWG10
RATED CURRENT (AT 85°C AMBIENT)	UL 15A DC TUV 35A DC	UL 20A DC TUV 40A DC	UL 30A DC TUV 45A DC
RATED VOLTAGE	PV4-S: UL 1000V DC / TUV 1000V DC PV4-S1: UL 1500V DC / TUV 1500V DC		
DEGREE OF PROTECTION, MATED	IP 68 (1m, 24h)		
AMBIENT TEMPERATURE RANGE	-40°C ~ +85°C		
OVERVOLTAGE CATEGORY	III		
POLLUTION DEGREE	2		
CONTACT RESISTANCE	0.5 mΩ		
CONTACT MATERIAL	COPPER, TIN PLATED		
INSULATION MATERIAL	THERMOPLASTIC, UL94-V0		
SAFETY CLASS	II		
STRIP LENGTH	6.5 mm		
CABLE JACKET DIAMETER	TUV: 5.0-7.8 mm / UL: 5.5-7.8 mm		

2 CONTACT SHOWN UNINSTALLED, FOR REFERENCE ONLY

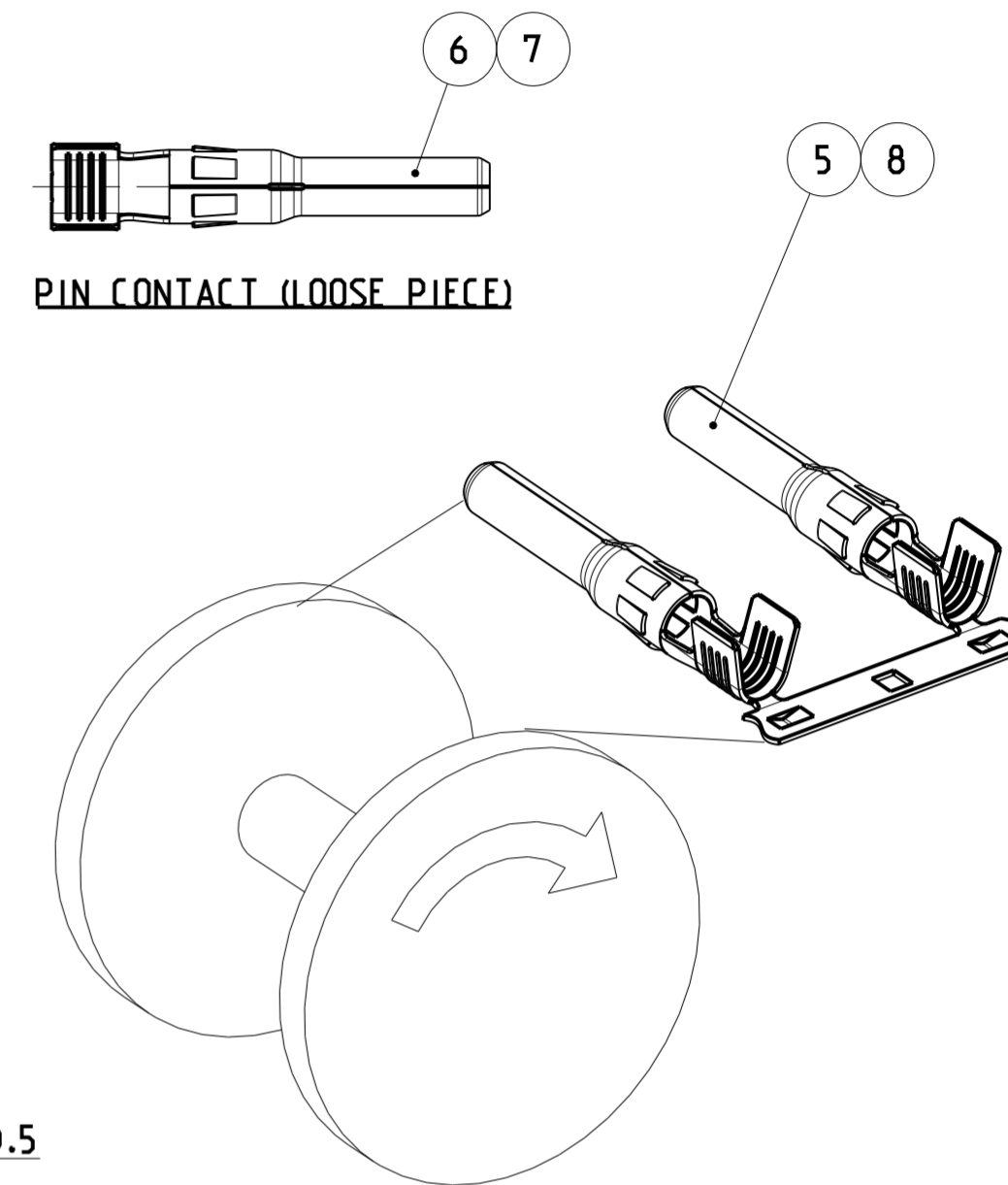
3 USE ONLY CRIMPING TOOL OF TE CONNECTIVITY TO CRIMP CONTACT:
 A. CRIMPING TOOL PN 6-1579014-9 WILL BE USED FOR CRIMPING THE CONTACTS HAVING WIRE SIZE 2.5mm² AND 4.0mm²
 B. CRIMPING TOOL PN 6-1579014-8 WILL BE USED FOR CRIMPING THE CONTACTS HAVING WIRE SIZE 4.0mm² AND 6.0mm²



PREASSEMBLED VIEW AS SHOWN

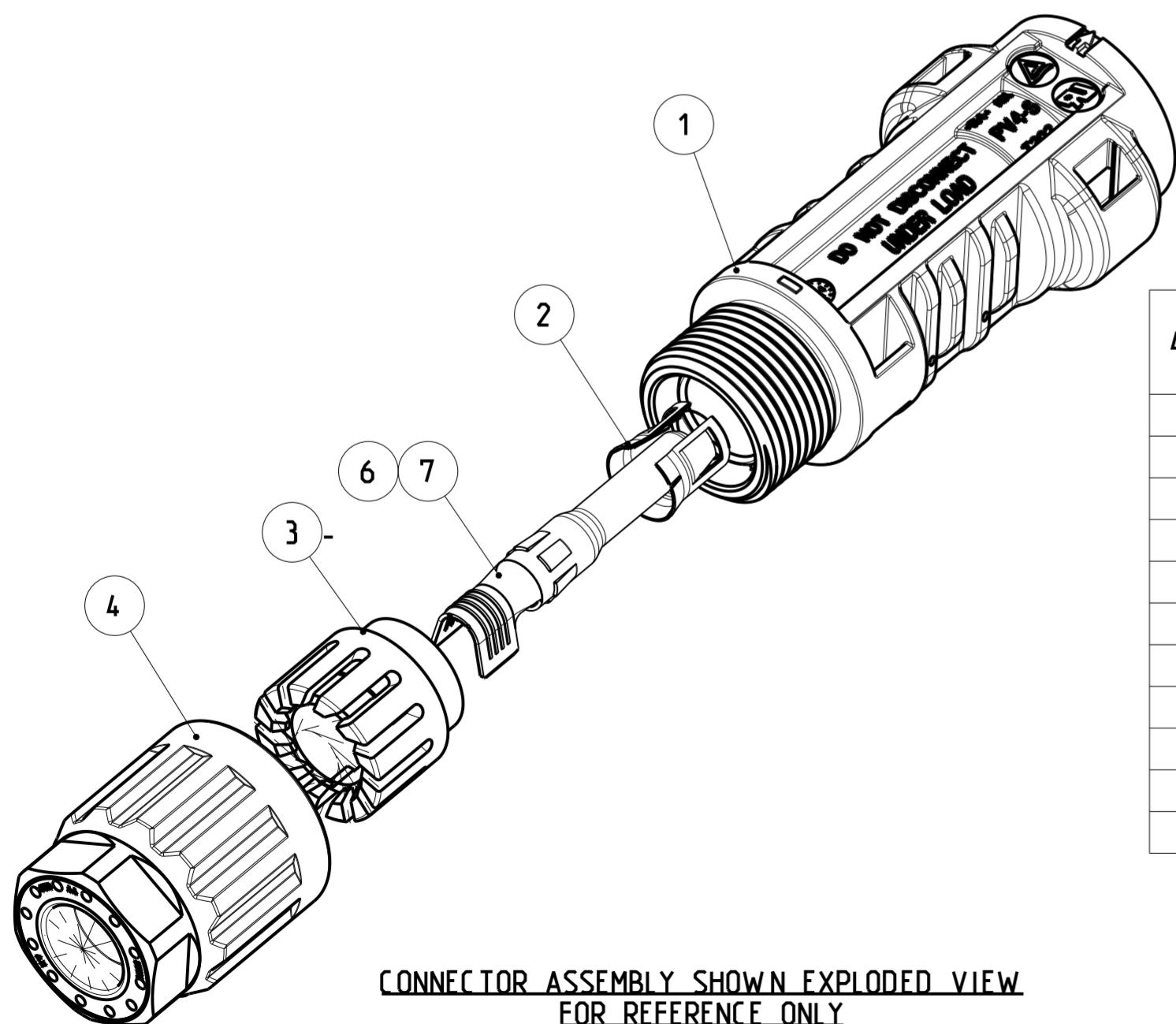


ASSEMBLED VIEW AS SHOWN



STRIP CONTACT COME OFF TO ASSEMBLY
 2000 PCS CONTACTS MOUNTED REEL
 REEL TYPE SUBJECT TO ALTERNATION

-1 AS SHOWN



CONNECTOR ASSEMBLY SHOWN EXPLODED VIEW FOR REFERENCE ONLY

4- -3	4- -1	3- -3	3- -1	2- -3	2- -1	1- -3	1- -1	-5	-3	-1	PART NUMBER	ITEM NO
1000	2000	1000	2000	100	2000	10	1000				PACKAGING QTY.	
TUV: 5.0-7.8 mm / UL: 5.5-7.8 mm											CABLE JACKET DIAMETER in mm	
1	-	-	-	-	-	1	-	-	-	-	PIN CONTACT, 2.5 mm ² /14AWG, STRIP	8
-	1	-	-	1	-	-	-	-	1	-	PIN CONTACT, 2.5 mm ² /14AWG, LOOSE PIECE	7
-	-	1	-	-	1	-	-	1	-	1	PIN CONTACT, 4-6 mm ² /10-12AWG, LOOSE PIECE	6
-	-	-	1	-	-	-	1	-	-	-	PIN CONTACT, 4-6 mm ² /10-12AWG, STRIP	5
1	1	1	1	1	1	1	1	1	1	1	CABLE SCREW JOINT	4
1	1	1	1	1	1	1	1	1	1	1	PINCH RING SEAL INMOLDED, ASSY	3
1	1	1	1	1	1	1	1	1	1	1	METAL CLIP	2
1	1	1	1	1	1	1	1	1	1	1	PV4-S1 PIN CONNECTOR	1
QUANTITY PER ASSEMBLY											DESCRIPTION	

THIS DRAWING IS A CONTROLLED DOCUMENT.

DIMENSIONS: mm

TOLERANCES UNLESS OTHERWISE SPECIFIED:

0 PLC	±0.0
1 PLC	±
2 PLC	±
3 PLC	±
4 PLC	±
ANGLES	±
FINISH	±

MATERIAL: -

APPROVALS:

DWN	WANG LORRY	13JUN2014
CHK	TAO DANIEL	13JUN2014
APVD	PETER YIN	13JUN2014

PRODUCT SPEC: 108-137077

APPLICATION SPEC: 114-137077

WEIGHT: -

CUSTOMER DRAWING

SCALE: 2:1

SHEET 1 OF 1

REV: B4

RESTRICTED TO: -

TE Connectivity

PIN CONNECTOR KITS
 PV4-S1 CONNECTOR, PV4-S1M

X-ON Electronics

Largest Supplier of Electrical and Electronic Components

Click to view similar products for [Solar Connectors / Photovoltaic Connectors](#) category:

Click to view products by [TE Connectivity](#) manufacturer:

Other Similar products are found below :

[1740699-7](#) [1971861-4](#) [1971131-4](#) [1971858-3](#) [1971861-3](#) [PV-090508-M10](#) [PV-CM-S 2 5-6 \(-\)](#) [2270184-3](#) [2270154-2](#) [2270226-4](#) [PV-090508-M06-N](#) [1987558-2](#) [PV-090506-F03](#) [UTXPM](#) [UTXPF](#) [UTXCMB6AM](#) [1627092](#) [1017635](#) [1017636](#) [1-2306314-1](#) [1-2306314-2](#) [1302440201](#) [2-1971862-2](#) [H4CMC6DM](#) [1705996](#) [1705995](#) [1971858-2](#) [5-2306317-2](#) [1704926](#) [H4CFC4DIS](#) [H4CMC4DC](#) [H4CFC4DC](#) [H4CMC4DM](#) [H4CFC4DM](#) [H4CFC6DM](#) [H4CFM2DI](#) [H4CFM6DI](#) [H4CMC2DI](#) [H4CMC8DM](#) [H4CMM6DI](#) [H4CMC4DMS](#) [H4CMC4DIS](#) [H4PF](#) [H4PM](#) [HGLUI](#) [PWJ-03BMMB-LL8001](#) [UTXCFA0AM](#) [UTXCFA4BMH](#) [UTXCMA0AM](#) [UTXCMA4AM](#)