

4

3

2

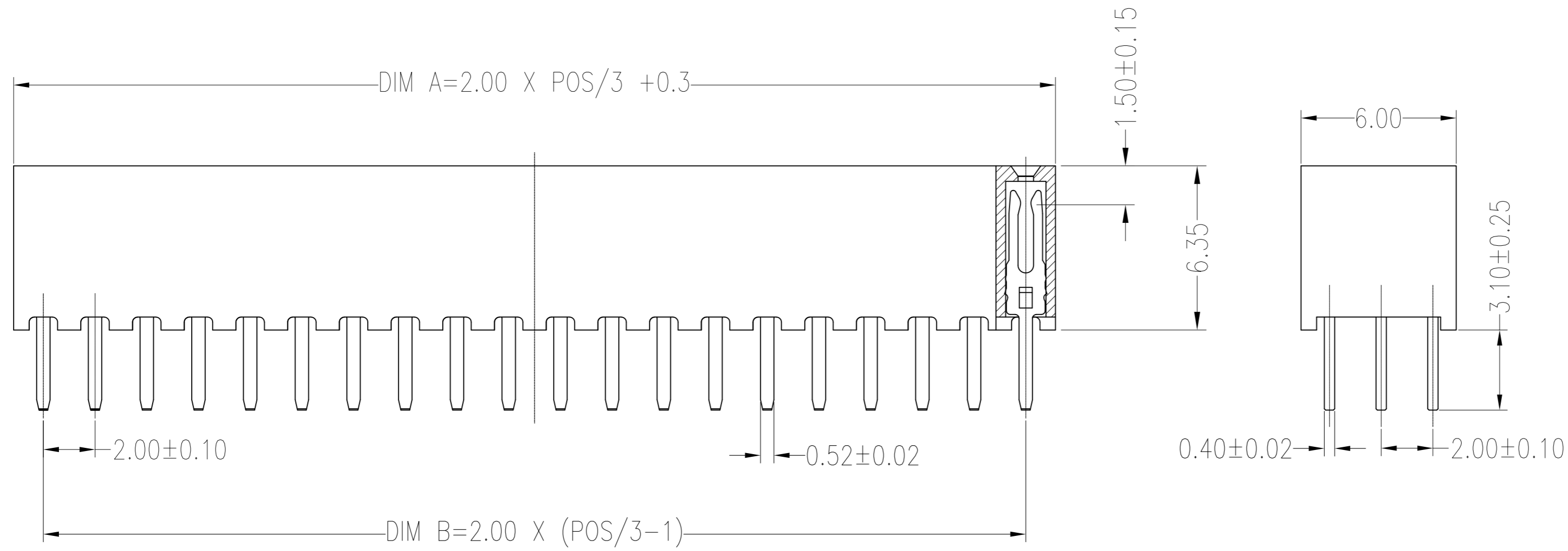
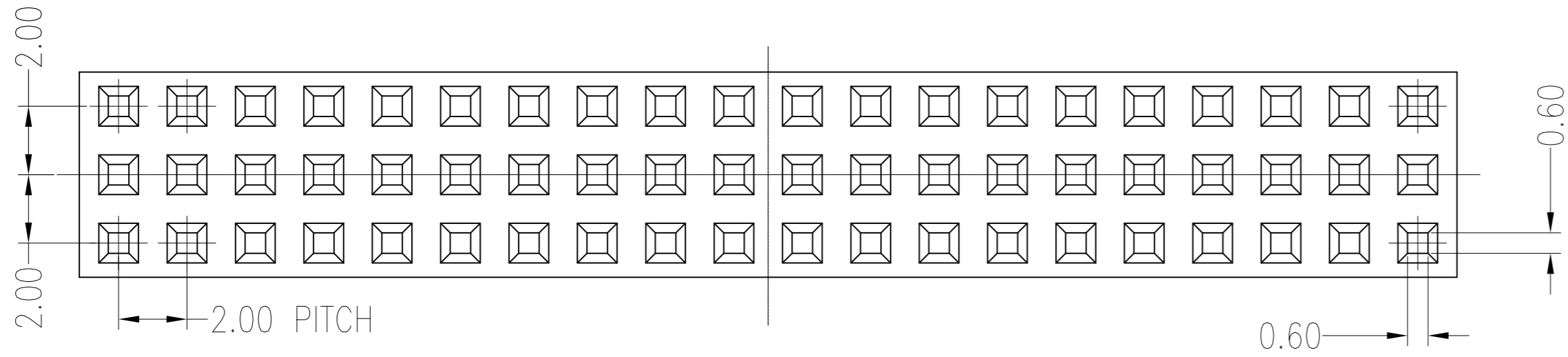
1

THIS DRAWING IS UNPUBLISHED. RELEASED FOR PUBLICATION. ALL RIGHTS RESERVED.

LOC		DIST		REVISIONS			
P	LTR	DESCRIPTION	DATE	DWN	APVD		
-	-	-	-	-	-		

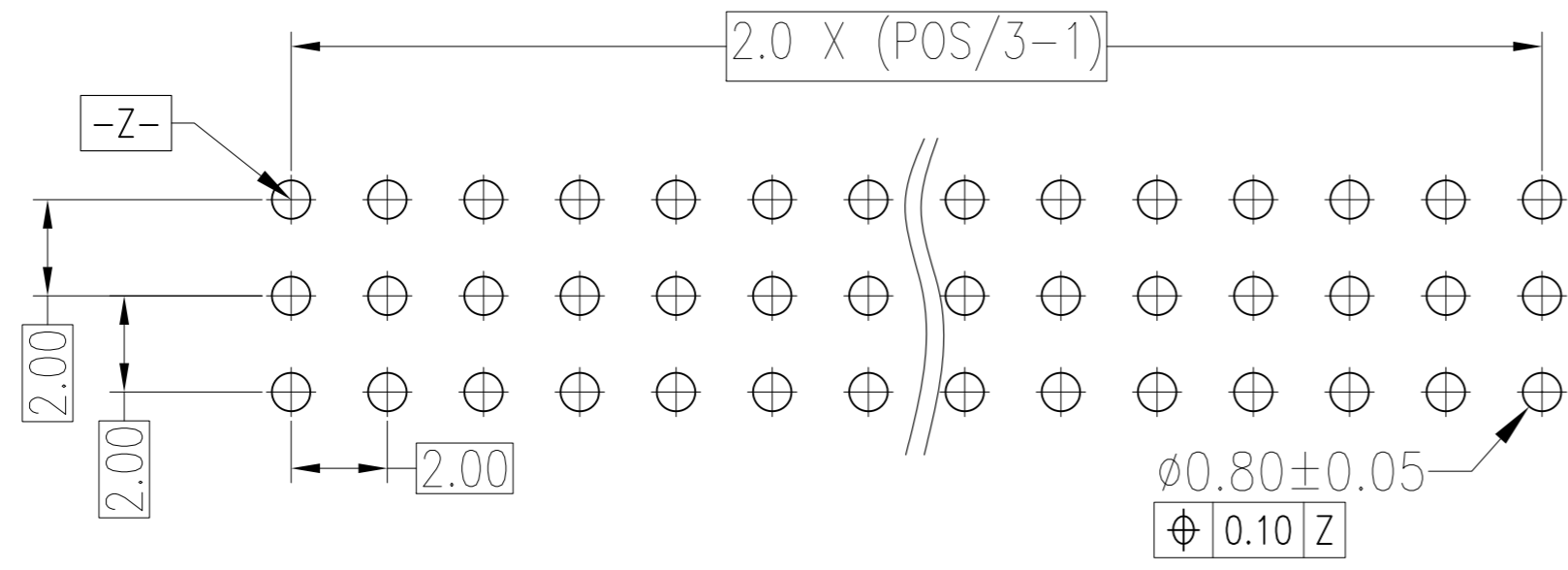
NOTES:
 Rated Current:2.0AMP.
 Contact Resistance:20mΩ Max.
 Withstand Voltage:500V AC/DC
 Insulation Resistance:1000MΩ Min.
 Operation Temperature:-40°C to +105°C

Contact Material: Copper Alloy
 Contact Plating: Gold Plating all over Nickel
 Insulator Material: Polyester UL94V-0 BLACK



PART NUMBER AS SHOWN: 1-2271019-1

-	2.30	3	2-2271019-0
2.00	4.30	6	1-2271019-9
4.00	6.30	9	1-2271019-8
6.00	8.30	12	1-2271019-7
8.00	10.30	15	1-2271019-6
10.00	12.30	18	1-2271019-5
12.00	14.30	21	1-2271019-4
14.00	16.30	24	1-2271019-3
16.00	18.30	27	1-2271019-2
18.00	20.30	30	2271019-1
20.00	22.30	33	1-2271019-0
22.00	24.30	36	2271019-9
24.00	26.30	39	2271019-8
26.00	28.30	42	2271019-7
28.00	30.30	45	2271019-6
30.00	32.30	48	2271019-5
32.00	34.30	51	2271019-4
34.00	36.30	54	2271019-3
36.00	38.30	57	2271019-2
38.00	40.30	60	1-2271019-1
DIM B	DIM A	POS	PN



Recommended P.C.B Layout

THIS DRAWING IS A CONTROLLED DOCUMENT.

DIMENSIONS: mm	TOLERANCES UNLESS OTHERWISE SPECIFIED:	DWN: ETHAN CHENG 26-NOV-13	CHK: KOBBOY ZHAO 27-NOV-13	APVD: XU XIANG 28-NOV-13	NAME: AMPMODU, 2.00 PITCH, TRIPLE ROW REC HEADER, THROUGH HOLE						
MATERIAL: SEE NOTES	FINISH: SEE NOTES	0 PLC ± -	1 PLC ± -	2 PLC ± ±0.25	3 PLC ± -	4 PLC ± -	ANGLES ± -	WEIGHT: -	SCALE: 1:1	SHEET: 1 of 1	REV: B

STE TE Connectivity

SIZE: A2 CAGE CODE: 00779 DRAWING NO: 2271019 RESTRICTED TO: -

CUSTOMER DRAWING

X-ON Electronics

Largest Supplier of Electrical and Electronic Components

Click to view similar products for [Headers & Wire Housings](#) category:

Click to view products by [TE Connectivity](#) manufacturer:

Other Similar products are found below :

[57102-F02-18ULF](#) [58102-G61-06LF](#) [582553-1](#) [009176003701906](#) [0050291907](#) [02.125.8002.8](#) [609-3404](#) [61062-3](#) [622-0430](#) [622-3653LF](#)
[63453-116](#) [636-1030](#) [636-1427](#) [636-3427](#) [636-4007](#) [641938-9](#) [65495-038](#) [65692-001LF](#) [65781-018](#) [65781-047](#) [65817-010LF](#) [65817-015LF](#)
[66207-023LF](#) [67016-026LF](#) [67095-007LF](#) [68631-112](#) [68645-018](#) [68648-049](#) [699319-000](#) [M90C108951C](#) [70.362.1628.0](#) [70-4210](#) [70-4226B](#)
[70-4853B](#) [707-5020](#) [707-5028](#) [71.350.2428.0](#) [71961-016LF](#) [733-134](#) [754199-000](#) [760-3052](#) [787-8014-00](#) [FCN-367T-T012/H](#)
[80.063.4001.1](#) [800-90-001-10-001000](#) [801-43-002-10-013000](#) [801-43-006-10-002000](#) [803-41-018-10-001000](#) [803-43-014-20-001000](#)
[803-43-024-10-001000](#)