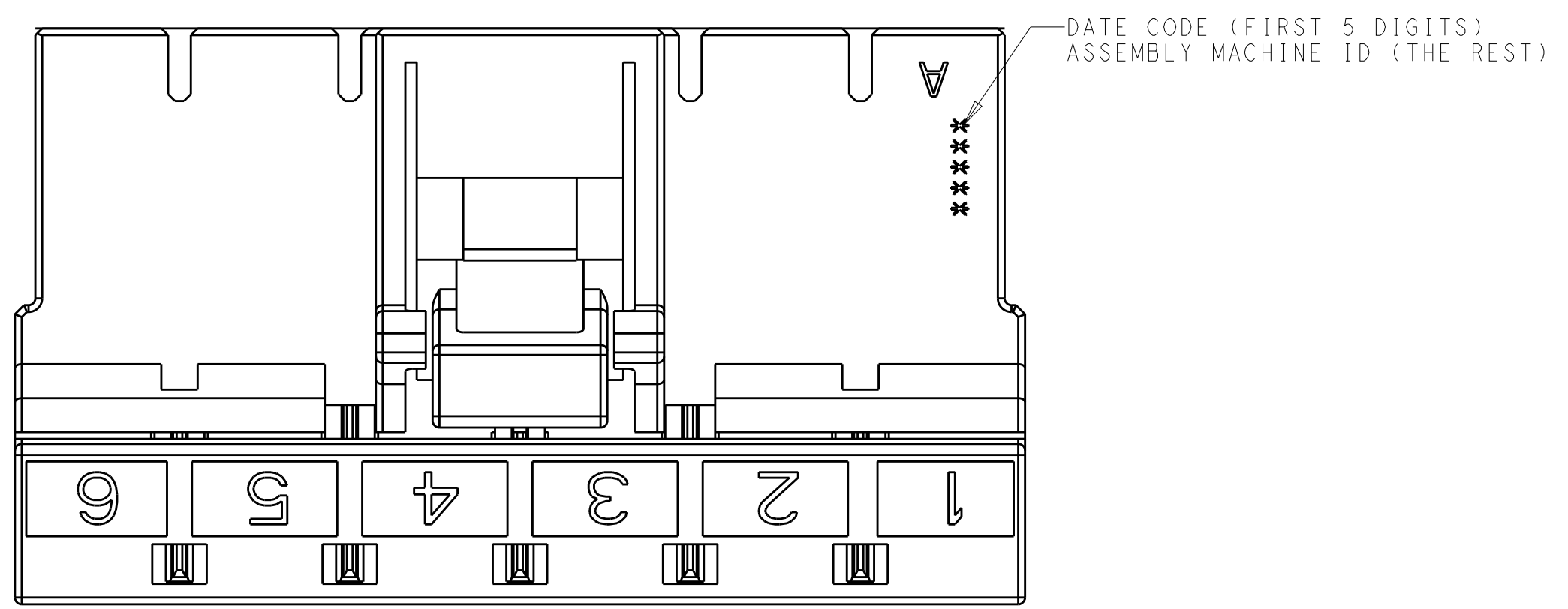
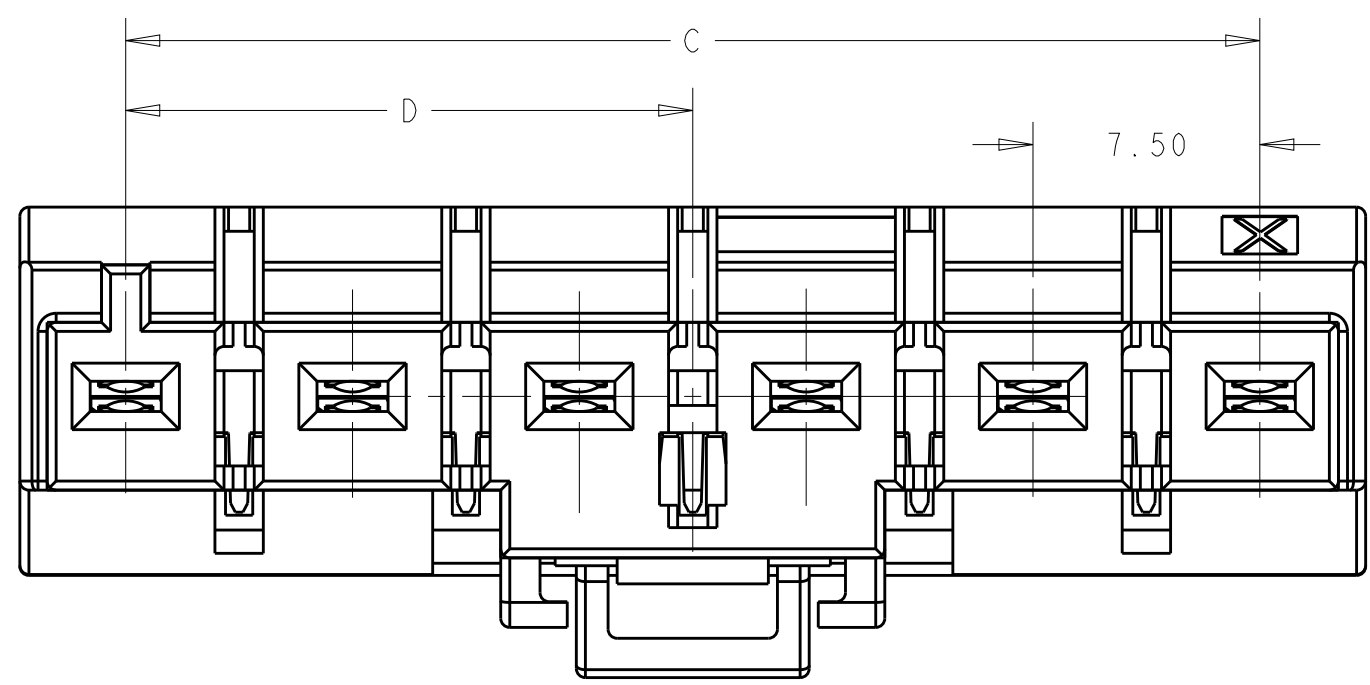
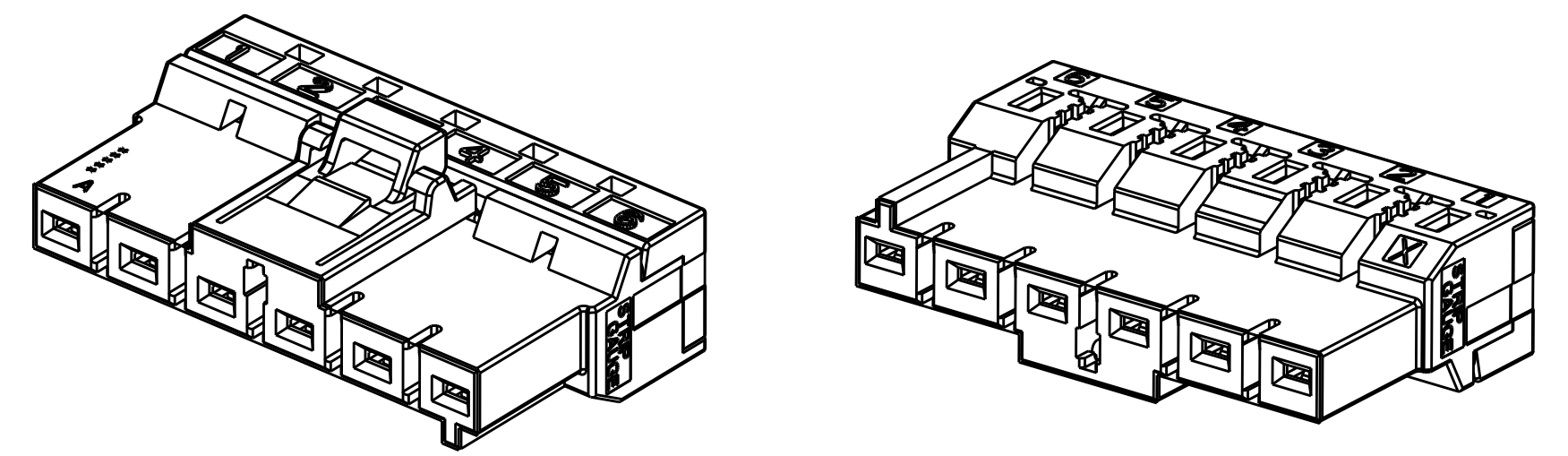
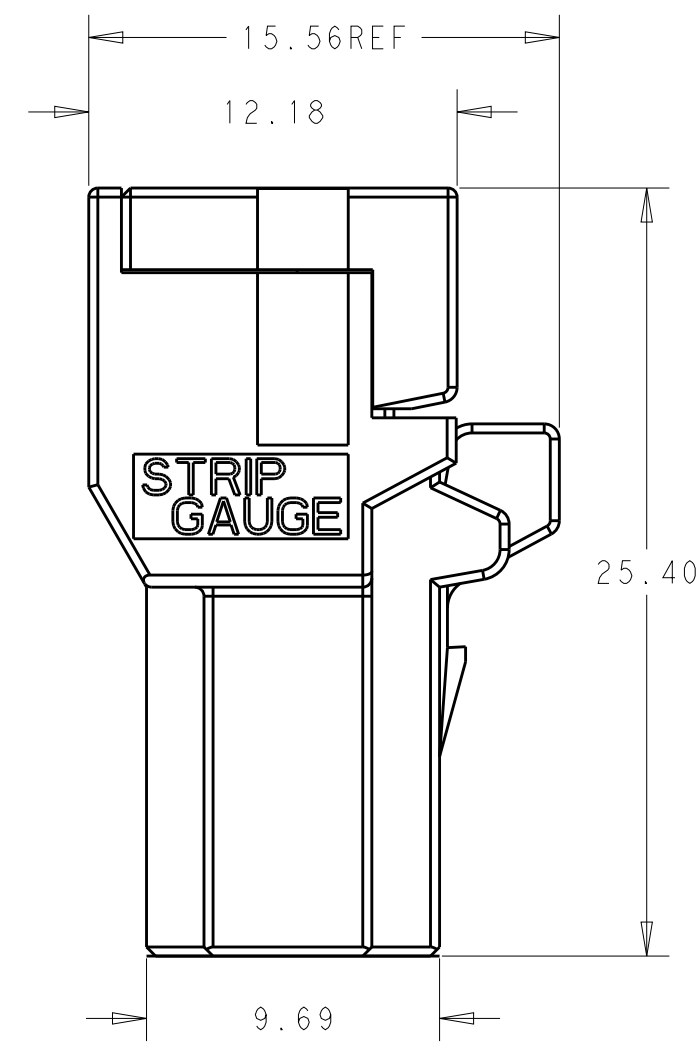
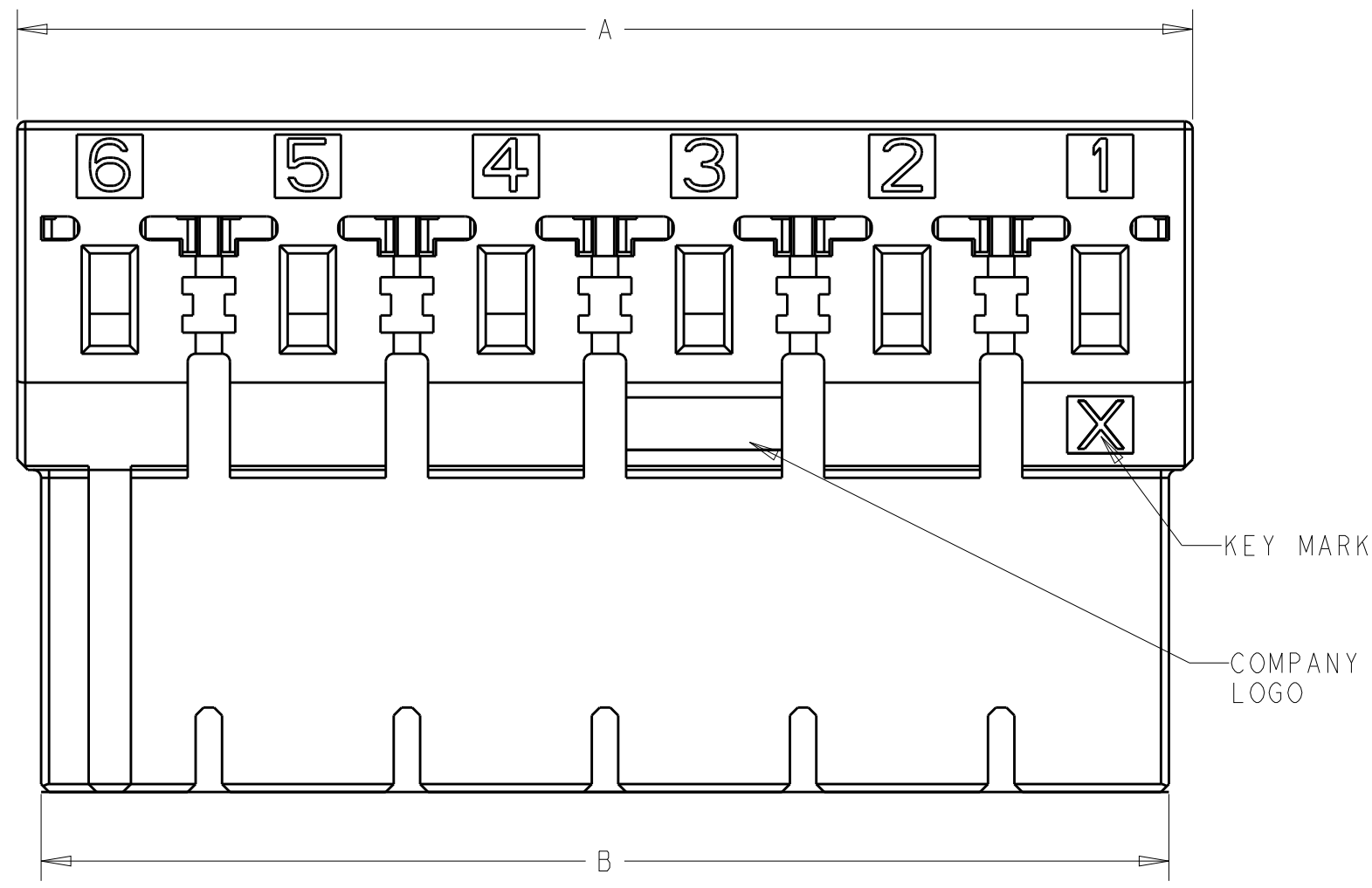


THIS DRAWING IS UNPUBLISHED. RELEASED FOR PUBLICATION 20
 © COPYRIGHT 20 BY - ALL RIGHTS RESERVED.

REVISIONS					
P	LTR	DESCRIPTION	DATE	DWN	APVD
B		REVISED	25JUN2018	K.T	E.I



- ① COMPLIES WITH DIRECTIVES 2002/95/EC (ROHS)
- ② RATED VOLTAGE: 600VAC,
- ③ APPLICATION CABLE: 22AWG~14AWG
- ④ OPERATION TEMPERATURE: -30°C~105°C
- ⑤ CONTACT RESISTANCE: 10mΩ MAX. INITIAL
- ⑥ INSULATION RESISTANCE: 1000MΩ MIN. INITIAL
- ⑦ NOTE DELETED

X	6PIN	18.75	37.50	42.70	44.50	1-2271454-6
X	4PIN	11.25	22.50	27.70	29.50	1-2271454-4
KEY MARK	PINS	DIM.D	DIM.C	DIM.B	DIM.A	ASSEMBLY P/N

THIS DRAWING IS A CONTROLLED DOCUMENT.		DWN 08JAN2015 Ning Wang	TE Connectivity			
DIMENSIONS: mm		CHK 08JAN2015 Kobby Zhao				
TOLERANCES UNLESS OTHERWISE SPECIFIED:		APVD 08JAN2015 Xiang Xu	NAME DYNAMIC D3950 RECEPTACLE ASSEMBLY			
0 PLC ±		PRODUCT SPEC 108-78997	SIZE A2	CAGE CODE -	DRAWING NO. G-2271454	RESTRICTED TO -
1 PLC ±0.50		APPLICATION SPEC 411-78272	SCALE 2:1	SHEET 1 OF 1	REV B	
2 PLC ±0.30		WEIGHT -	Customer Drawing			
3 PLC ±						
4 PLC ±						
ANGLES ±						
FINISH -						

X-ON Electronics

Largest Supplier of Electrical and Electronic Components

Click to view similar products for [Headers & Wire Housings](#) category:

Click to view products by [TE Connectivity](#) manufacturer:

Other Similar products are found below :

[95000-104TRLF](#) [10135584-644402LF](#) [DF62W-EP2022PCA](#) [95000-106TRLF](#) [DF62W-2022SCA](#) [DF62W-EP2022PC](#) [2203348](#) [DF62W-2022SC](#) [1084018](#) [1029039](#) [1084017](#) [802-10-012-10-002000](#) [1112640](#) [1112639](#) [891-007-9SS-BST1T](#) [000-34000](#) [0008550134](#) [0009482033](#) [0009507031](#) [57102-F02-18ULF](#) [57102-S06-03LF](#) [57202-S52-04LF](#) [PCN6-15S-2.5E](#) [0039019024](#) [58102-G61-06LF](#) [582553-1](#) [0009485154](#) [0009508121](#) [0022285053](#) [0050291907](#) [018731A](#) [LY20-4P-DT1-P1E-BR](#) [02.125.8002.8](#) [60101931](#) [60598-1 \(Cut Strip\)](#) [M1625-3R/100](#) [61062-3](#) [61082-181009](#) [CSU011177004](#) [636-1427](#) [638009-1](#) [641938-9](#) [641991-4](#) [644168-1](#) [644827-2](#) [647662-1](#) [65039-019ELF](#) [65692-001LF](#) [65781-018](#) [65781-047](#)