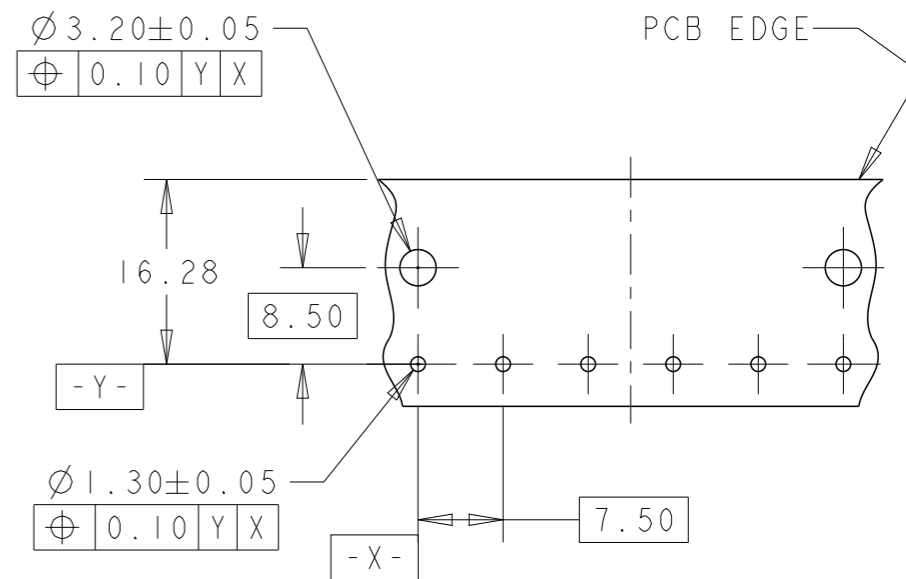
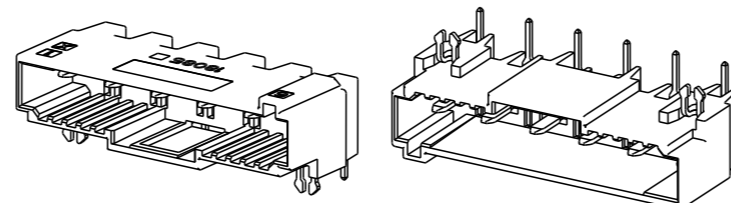
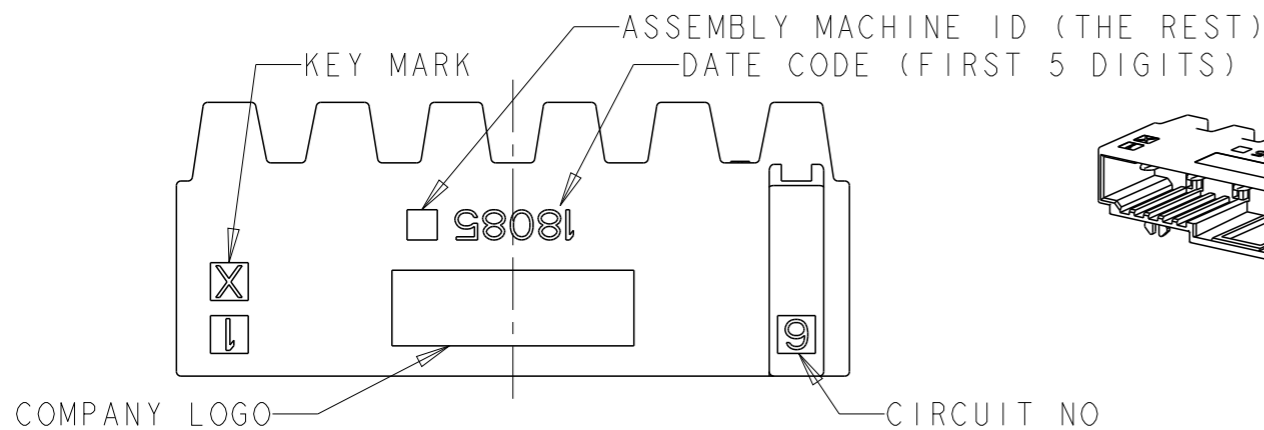


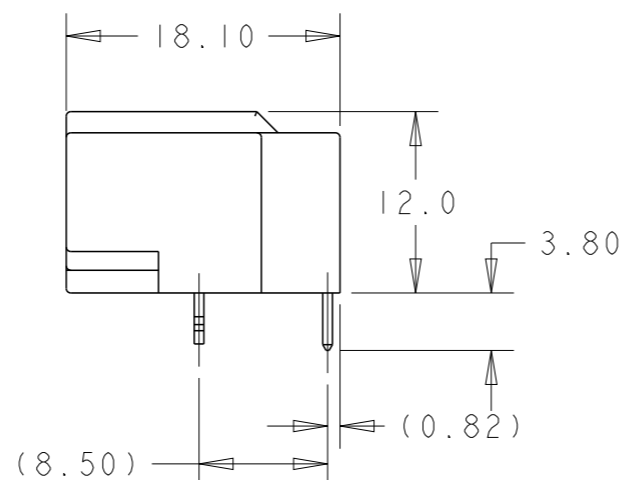
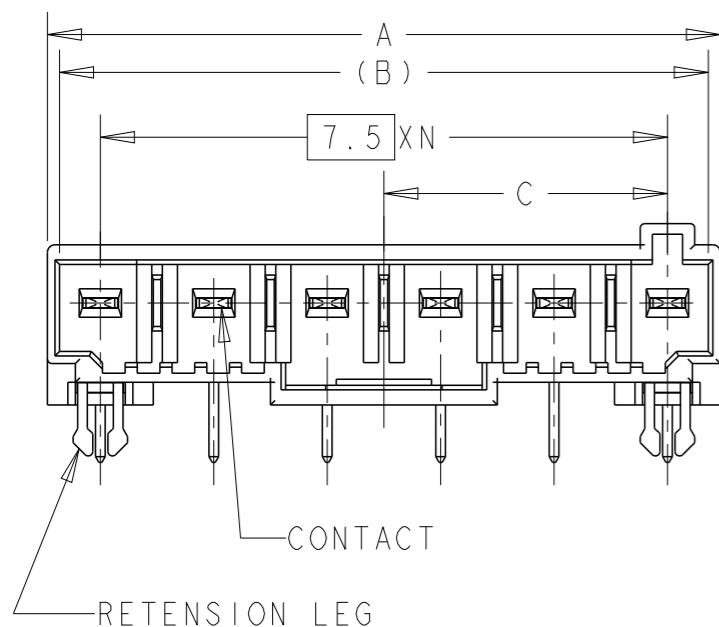
THIS DRAWING IS UNPUBLISHED. RELEASED FOR PUBLICATION 20
 © COPYRIGHT 20 BY - ALL RIGHTS RESERVED.

REVISIONS

P	LTR	DESCRIPTION	DATE	DWN	APVD
B		REVISED	12JUN2018	K.T	E.I
BI		REVISED	31JULY2018	K.T	E.I
C		REVISED PER ECR-19-009855	25JUN2019	R.I	E.I
D		REVISED PER ECR-19-012255	05AUG2019	R.I	E.I

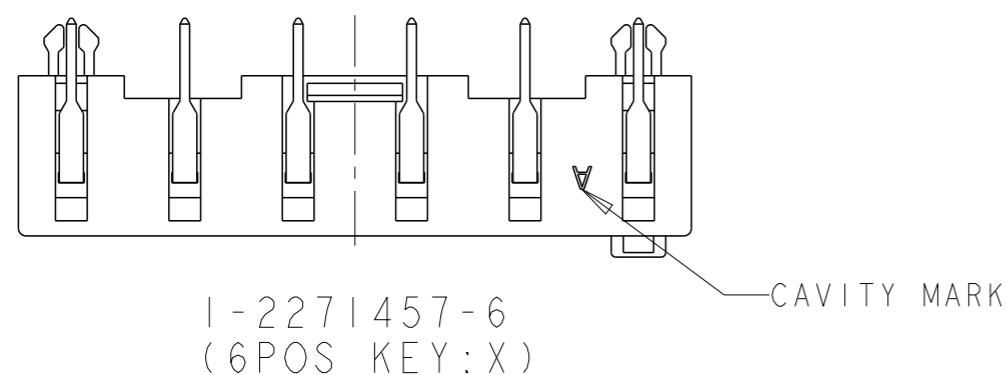
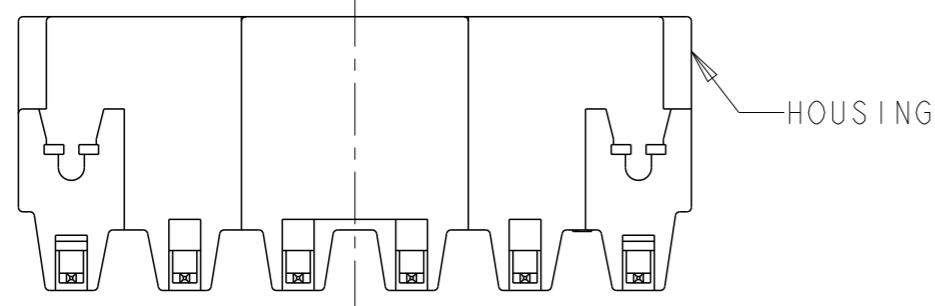


RECOMMENDED PCB LAYOUT



- 1 COMPLIES WITH DIRECTIVES 2002/95/EC (ROHS)
- 2 RATED VOLTAGE: 600VAC,
- 3 APPLICATION CABLE: 22AWG~14AWG
- 4 OPERATION TEMPERATURE: -30°C~105°C
- 5 CONTACT RESISTANCE: 10mΩ MAX. INITIAL
- 6 INSULATION RESISTANCE: 1000MΩ MIN. INITIAL
- 7 NOTE DELETED

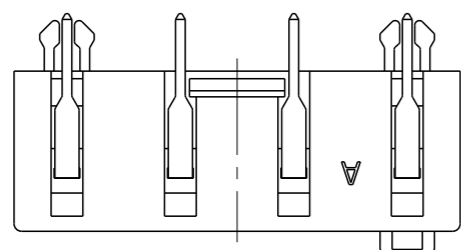
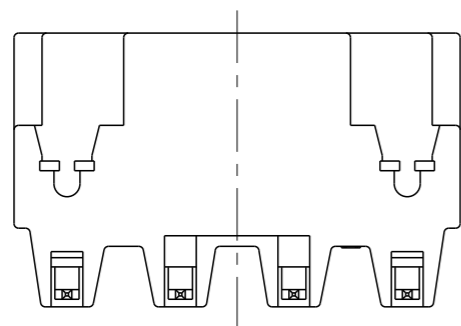
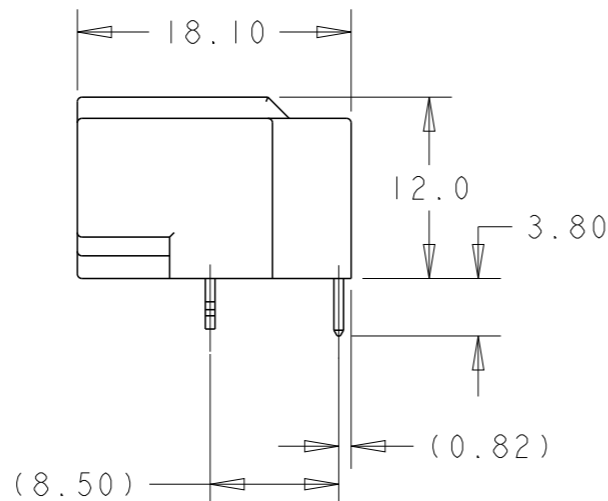
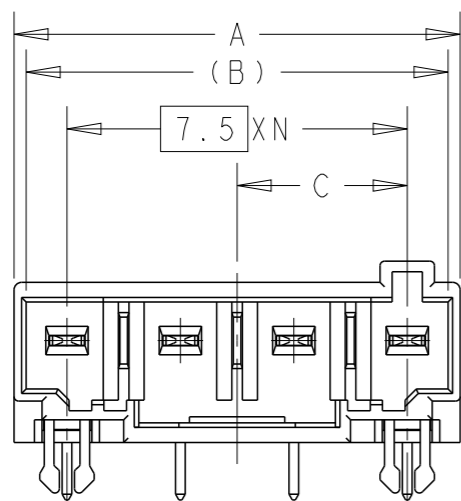
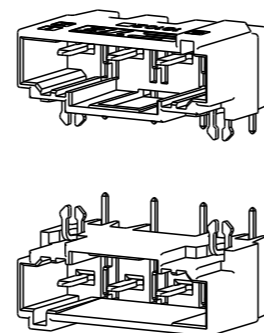
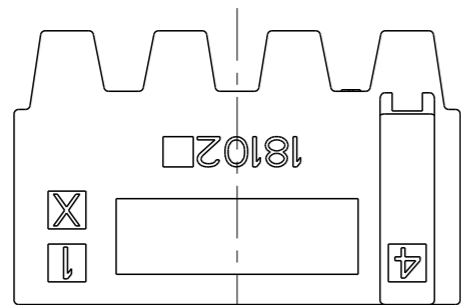
X	8	7	26.25	57.90	59.50	1-2271457-8
X	6	5	18.75	42.90	44.50	1-2271457-6
Y	4	3	11.25	27.90	29.50	2-2271457-4
X	4	3	11.25	27.90	29.50	1-2271457-4
KEY MARK	POS	N	DIM.C	DIM.B	DIM.A	ASSEMBLY P/N



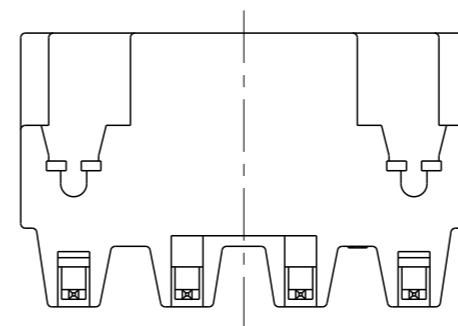
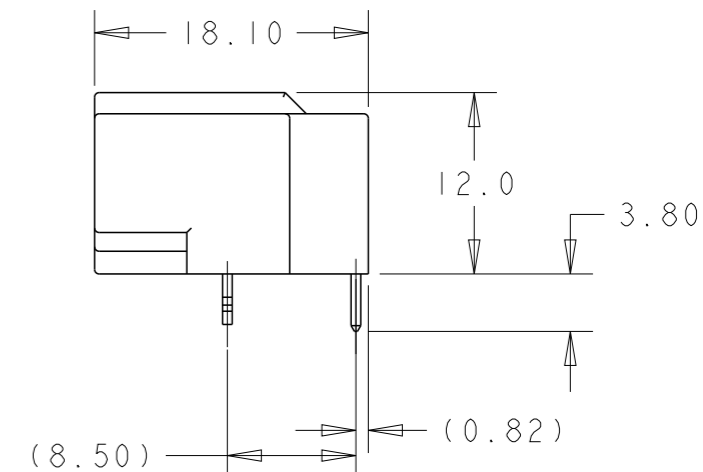
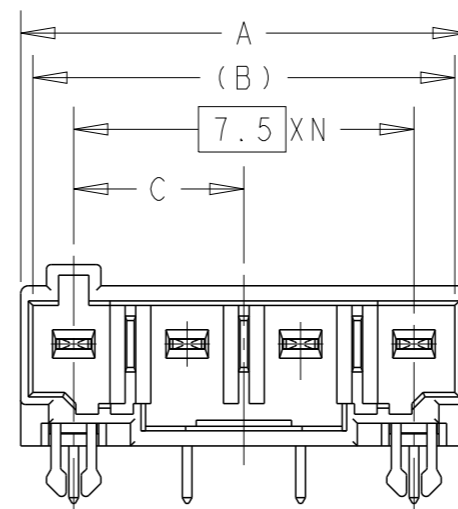
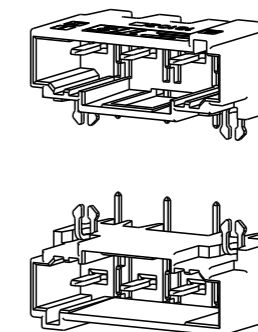
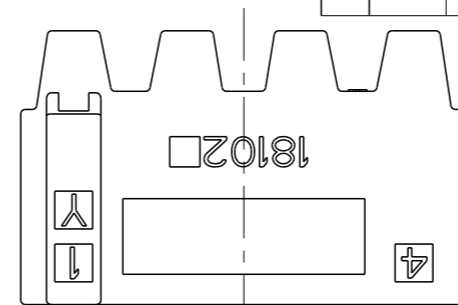
THIS DRAWING IS A CONTROLLED DOCUMENT.

DIMENSIONS: mm	TOLERANCES UNLESS OTHERWISE SPECIFIED: 0 PLC ± 1 PLC ±0.50 2 PLC ±0.30 3 PLC ± 4 PLC ± ANGLES ±3°	DWN 13JAN2015 Ning Wang	NAME DYNAMIC 3950 PLUG ASSEMBLY
		CHK 13JAN2015 Kobby Zhao	
MATERIAL SEE NOTE	FINISH	APVD 13JAN2015 Xiang Xu	PRODUCT SPEC 108-78997
			APPLICATION SPEC 411-78272
		WEIGHT	SIZE A3
		CUSTOMER DRAWING	CAGE CODE - DRAWING NO C-2271457
			RESTRICTED TO
			SCALE 2:1 SHEET 1 OF 3 REV D

P	LTR	DESCRIPTION	DATE	DWN	APVD
		SEE SHEET 1			



1-2271457-4
(4POS KEY:X)

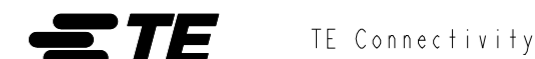


2-2271457-4
(4POS KEY:Y)

THIS DRAWING IS A CONTROLLED DOCUMENT.

DIMENSIONS:	TOLERANCES UNLESS OTHERWISE SPECIFIED:
mm	
	0 PLC ±-
	1 PLC ±0.50
	2 PLC ±0.30
	3 PLC ±-
	4 PLC ANGLES ±3°
MATERIAL	FINISH
-	-

DWN	13JAN2015
Ning Wang	
CHK	13JAN2015
Kobby Zhao	
APVD	13JAN2015
Xiang Xu	
PRODUCT SPEC	108-78997
APPLICATION SPEC	411-78272
WEIGHT	-



NAME		DYNAMIC 3950 PLUG ASSEMBLY	
SIZE	CAGE CODE	DRAWING NO	RESTRICTED TO
A3	-	©-2271457	
CUSTOMER DRAWING		SCALE	SHEET
		2:1	2 OF 3
			REV D

THIS DRAWING IS UNPUBLISHED.

RELEASED FOR PUBLICATION

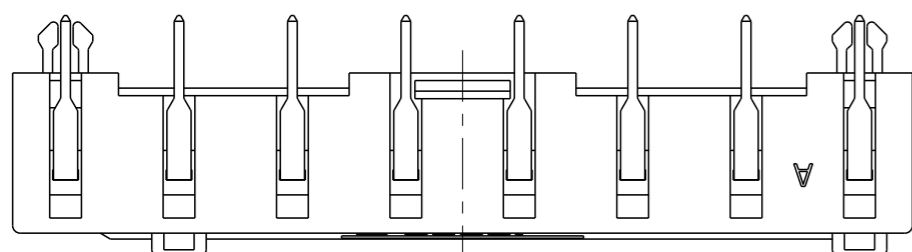
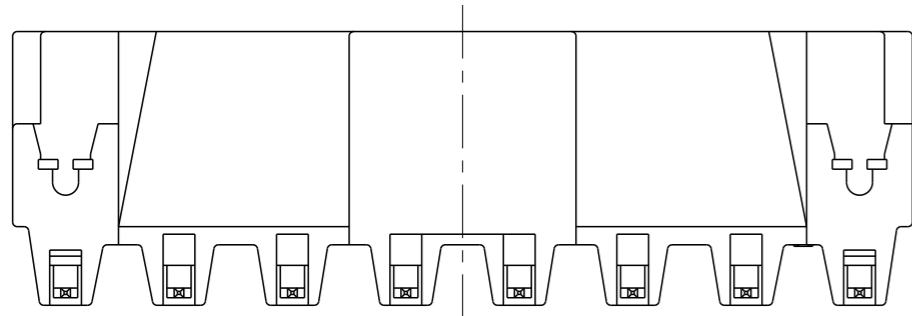
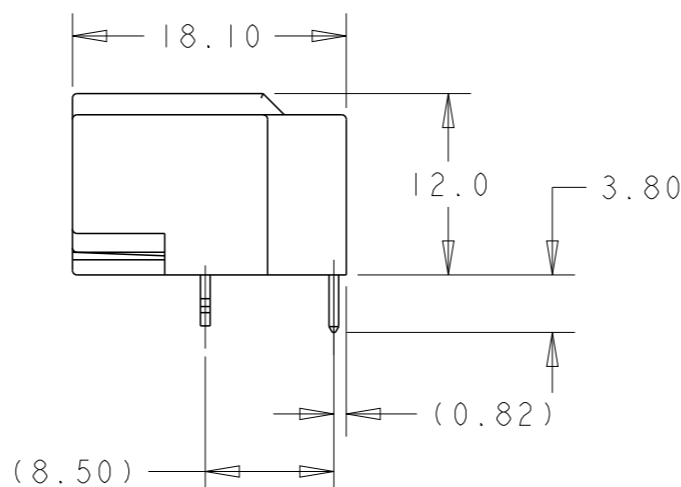
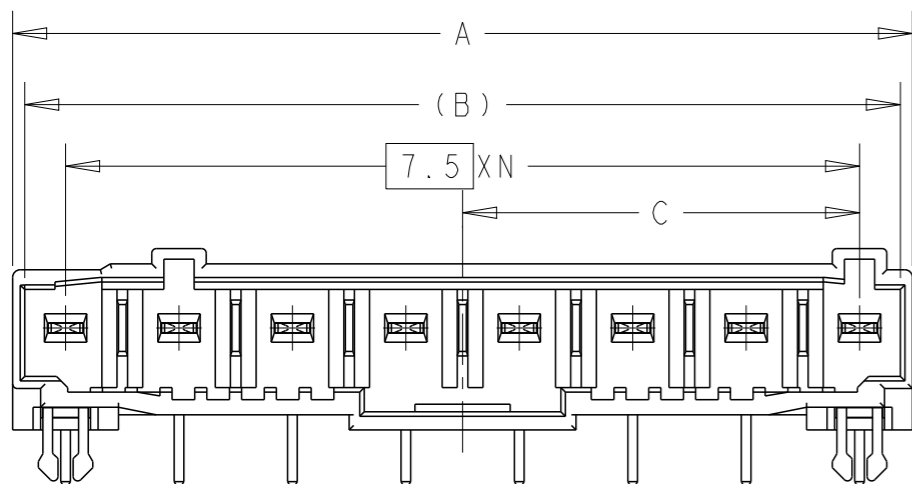
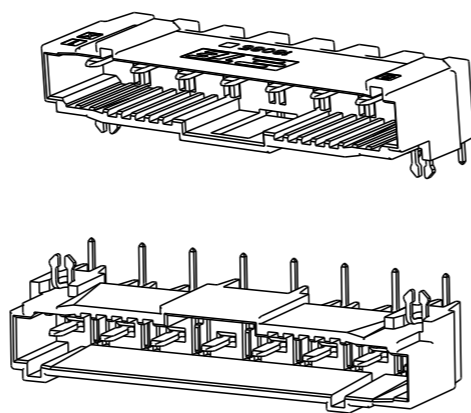
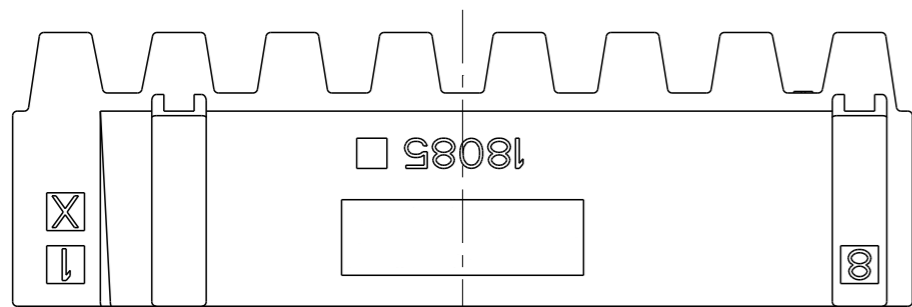
20

© COPYRIGHT 20 BY -

ALL RIGHTS RESERVED.

REVISIONS

P	LTR	DESCRIPTION	DATE	DWN	APVD
-	-	SEE SHEET 1	-	-	-



1-2271457-8
(8POS KEY:X)

THIS DRAWING IS A CONTROLLED DOCUMENT.		DWN Ning Wang 13JAN2015		NAME DYNAMIC 3950 PLUG ASSEMBLY -										
DIMENSIONS: mm		CHK Kobby Zhao 13JAN2015												
TOLERANCES UNLESS OTHERWISE SPECIFIED:		APVD Xiang Xu 13JAN2015												
<table border="0"> <tr><td>0 PLC</td><td>±0.50</td></tr> <tr><td>1 PLC</td><td>±0.30</td></tr> <tr><td>2 PLC</td><td>±0.30</td></tr> <tr><td>3 PLC</td><td>±0.30</td></tr> <tr><td>4 PLC</td><td>±0.30</td></tr> <tr><td>ANGLES</td><td>±3°</td></tr> </table>		0 PLC			±0.50	1 PLC	±0.30	2 PLC	±0.30	3 PLC	±0.30	4 PLC	±0.30	ANGLES
0 PLC	±0.50													
1 PLC	±0.30													
2 PLC	±0.30													
3 PLC	±0.30													
4 PLC	±0.30													
ANGLES	±3°													
MATERIAL SEE NOTE		APPLICATION SPEC 411-78272	SIZE A3	CAGE CODE -										
FINISH -		WEIGHT -	DRAWING NO C-2271457	RESTRICTED TO										
-		CUSTOMER DRAWING	SCALE 2:1	SHEET 3 OF 3										
				REV D										

X-ON Electronics

Largest Supplier of Electrical and Electronic Components

Click to view similar products for [Power to the Board](#) category:

Click to view products by [TE Connectivity](#) manufacturer:

Other Similar products are found below :

[10131318-08512GRLF](#) [6450171-4](#) [6450552-7](#) [6600323-8](#) [6643429-1](#) [6646040-2](#) [6651939-1](#) [6766604-1](#) [120959-1](#) [1393557-2](#) [1393532-2](#)
[1393532-3](#) [1393532-4](#) [1393557-1](#) [1600812-5](#) [1-6450861-2](#) [1645595-1](#) [1743490-1](#) [1744132-7](#) [1761122-1](#) [1766169-1](#) [1766250-1](#) [18362](#)
[1892109-1](#) [1-967627-6](#) [2226808-1](#) [2-6450860-5](#) [2-6450860-6](#) [2-6450870-0](#) [93003-0502](#) [953552-1](#) [1-6450161-4](#) [1-6450850-6](#) [1645526-2](#) [1-](#)
[6600130-0](#) [1743419-1](#) [1766150-1](#) [2005243-2](#) [211110-1](#) [2-6600130-2](#) [TE34-12-16P-F0](#) [51700-10201602AALF](#) [5-6450830-6](#) [5646956-4](#)
[36662-0005](#) [40585-3000](#) [4-6450830-9](#) [4-6600333-3](#) [51142-0214](#) [10125416-4050LF](#)