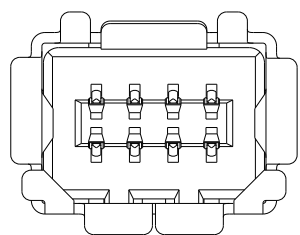
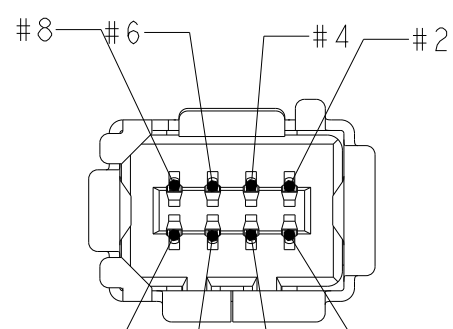
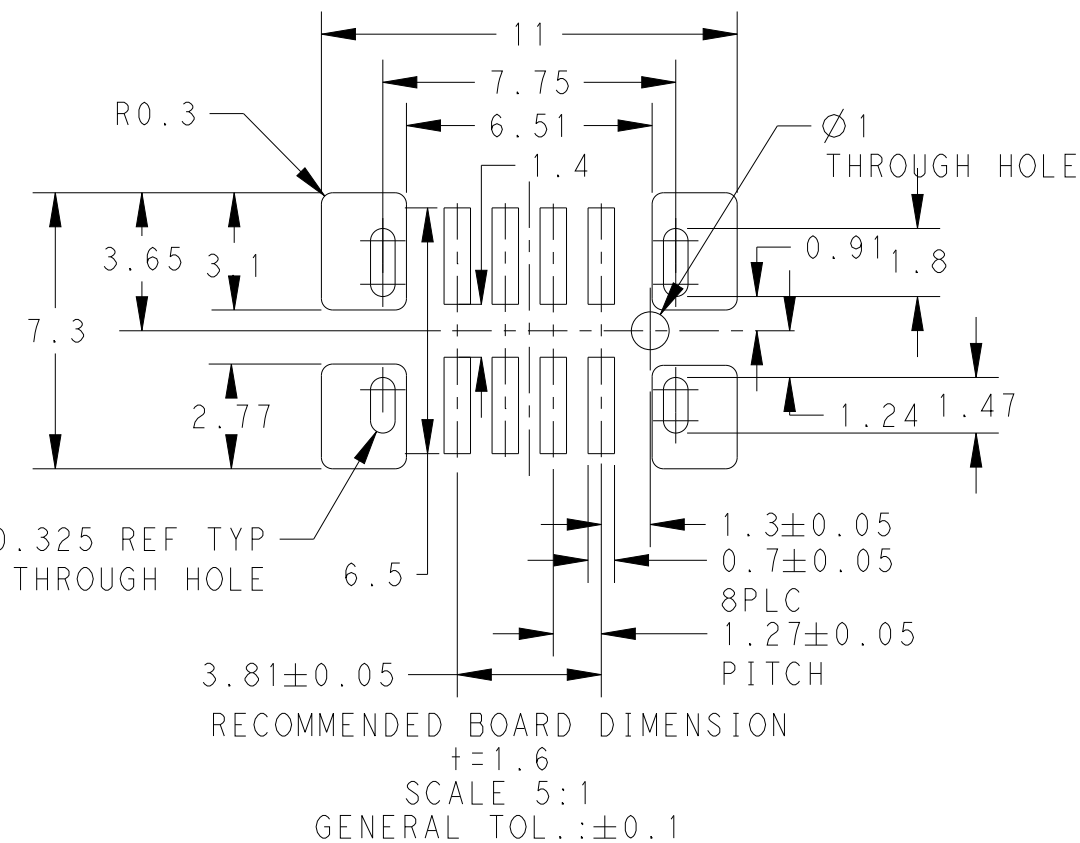
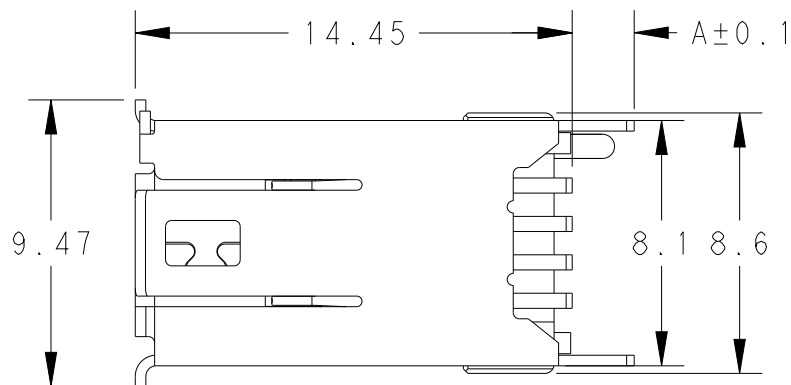


THIS DRAWING IS UNPUBLISHED. RELEASED FOR PUBLICATION  
 © COPYRIGHT - BY - ALL RIGHTS RESERVED.

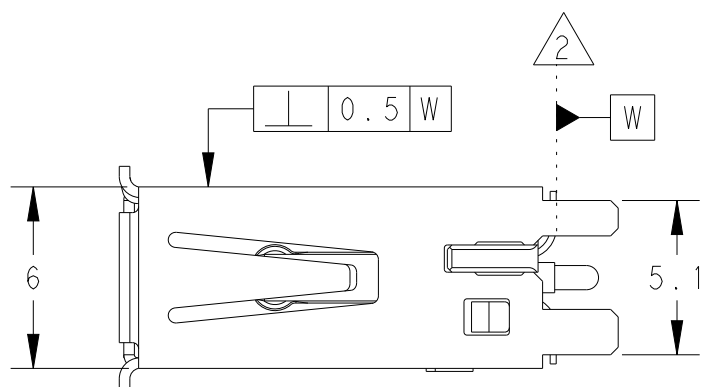
| LOC | DIST | REVISIONS   |                                      |           |           |
|-----|------|-------------|--------------------------------------|-----------|-----------|
| P   | LTR  | DESCRIPTION | DATE                                 | DWN       | APVD      |
| -   | -    | B           | ECR-16-006831 PACKAGE TRAY CHANGE    | 04MAY2016 | L.Z. X.X. |
|     |      | C           | ECR-18-010755                        | 11NOV2018 | GCM PP    |
|     |      | C1          | ADDED NEW PART VARIANT 3--1 AND 3--2 | 19OCT2020 | SS JDB    |
|     |      | C2          | ADDED NEW PART VARIANT 4--1          | 19MAY2021 | SS JDB    |



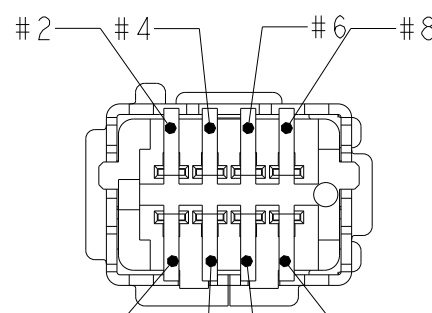
2271656-2  
TYPE II



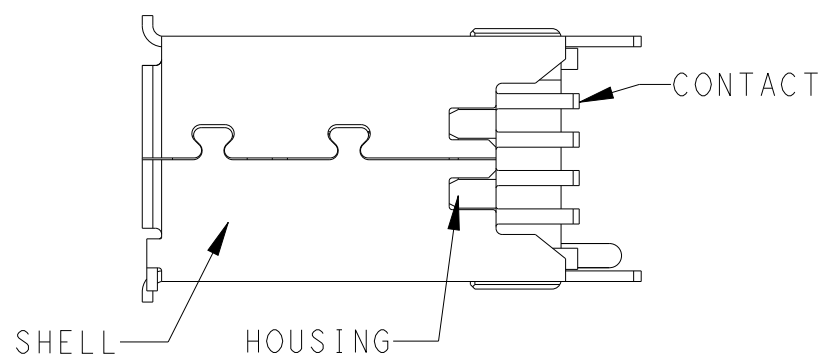
2271656-1  
TYPE I



CIRCUIT NO



CIRCUIT NO



| DIM "A"     | POS  | TOP CONTACT AREA | DESCRIPTION           | PART NO  |             |
|-------------|------|------------------|-----------------------|--|-------------|
| 1.5         | 8    | GOLD 0.5µm MIN   | TYPE I SMT RECEPTACLE | 4-2271656-1                                    |             |
| PRELIMINARY | 2.05 | 8                | GOLD 0.76µm MIN       | TYPE II SMT RECEPTACLE WITH EMBOSS TAPE        | 3-2271656-2 |
| PRELIMINARY | 2.05 | 8                | GOLD 0.76µm MIN       | TYPE I SMT RECEPTACLE WITH EMBOSS TAPE         | 3-2271656-1 |
|             | 2.05 | 8                | GOLD 0.5µm MIN        | TYPE II SMT RECEPTACLE WITH CAP ON EMBOSS TAPE | 2-2271656-2 |
|             | 2.05 | 8                | GOLD 0.5µm MIN        | TYPE I SMT RECEPTACLE WITH CAP ON EMBOSS TAPE  | 2-2271656-1 |
|             | 2.05 | 8                | GOLD 0.5µm MIN        | TYPE II SMT RECEPTACLE WITH CAP                | 1-2271656-2 |
|             | 2.05 | 8                | GOLD 0.5µm MIN        | TYPE I SMT RECEPTACLE WITH CAP                 | 1-2271656-1 |
|             | 2.05 | 8                | GOLD 0.5µm MIN        | TYPE II SMT RECEPTACLE                         | 2271656-2   |
|             | 2.05 | 8                | GOLD 0.5µm MIN        | TYPE I SMT RECEPTACLE                          | 2271656-1   |

NOTES:  
 1 MATERIAL AND FINISH  
 CONTACT: COPPER ALLOY  
 UNDER ALL SURFACE NICKEL 1.27µm MIN.  
 TOP CONTACT AREA: SEE TABLE  
 SOLDERING AREA: TIN PLATE  
 HOUSING: THERMO PLASTIC (UL94V-0)  
 SHELL: COPPER ALLOY  
 UNDER ALL SURFACE NICKEL  
 TOP ALL SURFACE TIN  
 2 COPLANARITY 0.1 MAX (IN 8 TIPS OF CONTACTS)  
 DATUM -W- IS THE SEATING PLANE FOR ALL 8 CONTACT LEGS  
 3 GENERAL TOL.: ±0.3; ±5°

THIS DRAWING IS A CONTROLLED DOCUMENT.

DWN: LEAR ZHANG 01DEC2015  
 CHK: KOBBY ZHAO 01DEC2015  
 APVD: XU XIANG 01DEC2015

NAME: SMT VERTICAL MINI I/O RECEPTACLE 1.27mm PITCH

TE Connectivity

STE

108-106087

SIZE: A3 CAGE CODE: - DRAWING NO: C-2271656 RESTRICTED TO: -

CUSTOMER DRAWING WEIGHT: - SCALE: 4:1 SHEET: 1 OF 4 REV: C2

4

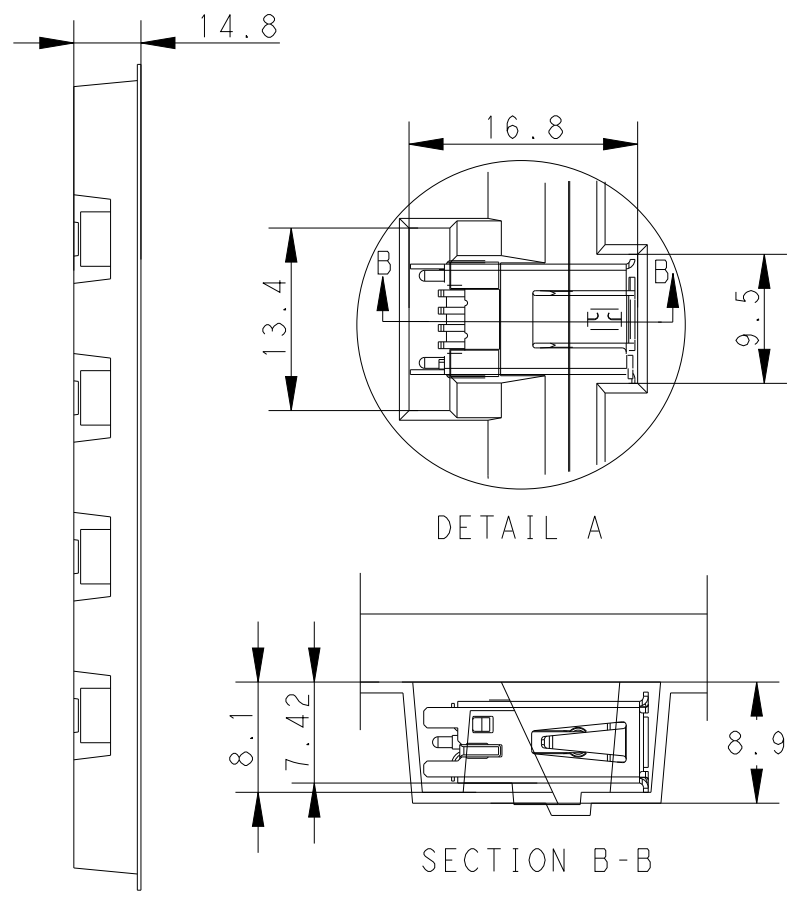
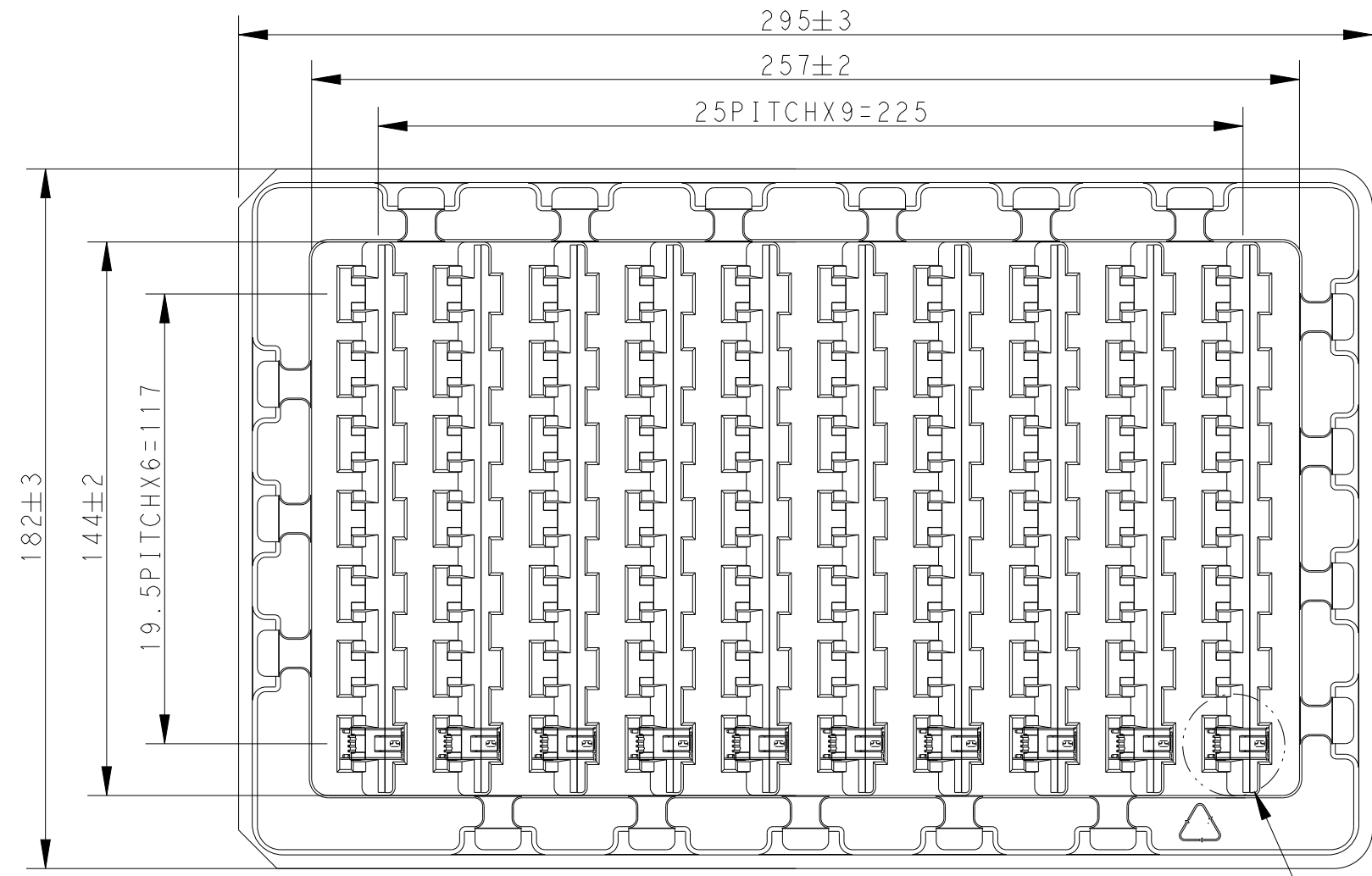
3

2

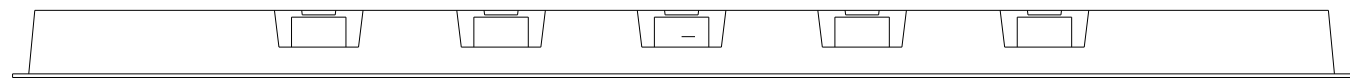
1

THIS DRAWING IS UNPUBLISHED. RELEASED FOR PUBLICATION  
 © COPYRIGHT - BY - ALL RIGHTS RESERVED.

| LOC | DIST | REVISIONS   |      |     |      |
|-----|------|-------------|------|-----|------|
| P   | LTR  | DESCRIPTION | DATE | DWN | APVD |
| -   | -    | SEE SHEET 1 | -    | -   | -    |



SEE DETAIL A



NOTE:  
 4 PACKAGE:  
 70PCS PER TRAY FOR 2271656-1, 2271656-2  
 AND 4-2271656-1

|                  |             |
|------------------|-------------|
| PACKAGE AS SHOWN | 4-2271656-1 |
|                  | 2271656-2   |
|                  | 2271656-1   |
| DESCRIPTION      | PART NO     |

|  |  |   |            |  |               |     |    |
|--|--|---|------------|--|---------------|-----|----|
| THIS DRAWING IS A CONTROLLED DOCUMENT.   |  | DWN   | 01DEC2015  | TE Connectivity<br>NAME<br>SMT VERTICAL MINI I/O RECEPTACLE<br>1.27mm PITCH<br>- | RESTRICTED TO |     |    |
| DIMENSIONS: mm   |  | CHK   | 01DEC2015  |  |               |     |    |
| TOLERANCES UNLESS OTHERWISE SPECIFIED:   |  | APVD  | 01DEC2015  |  |               |     |    |
| 0 PLC ±-<br>1 PLC ±-<br>2 PLC ±-<br>3 PLC ±-<br>4 PLC ±-<br>ANGLES ±-<br>MATERIAL - FINISH - |  | LEAR ZHANG<br>KOBBY ZHAO<br>XU XIANG<br>PRODUCT SPEC<br>108-106087<br>APPLICATION SPEC<br>-<br>WEIGHT - | SIZE<br>A3 |  |               |     |    |
| CUSTOMER DRAWING   |  | SCALE   | 4:1        | SHEET  | 2 OF 4        | REV | C2 |

4

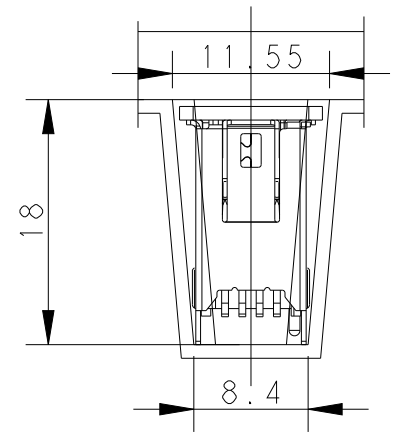
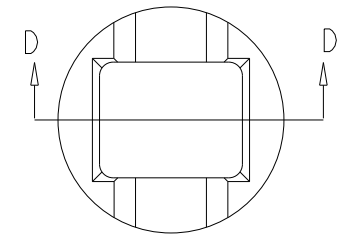
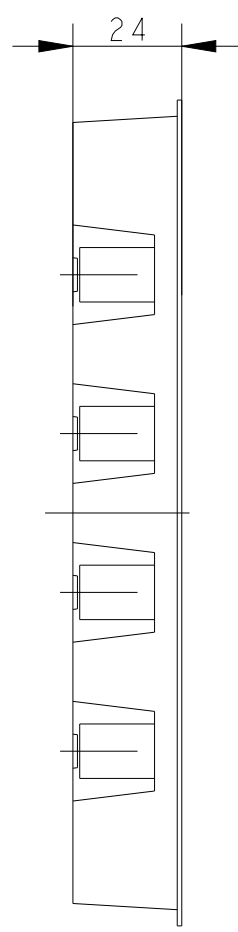
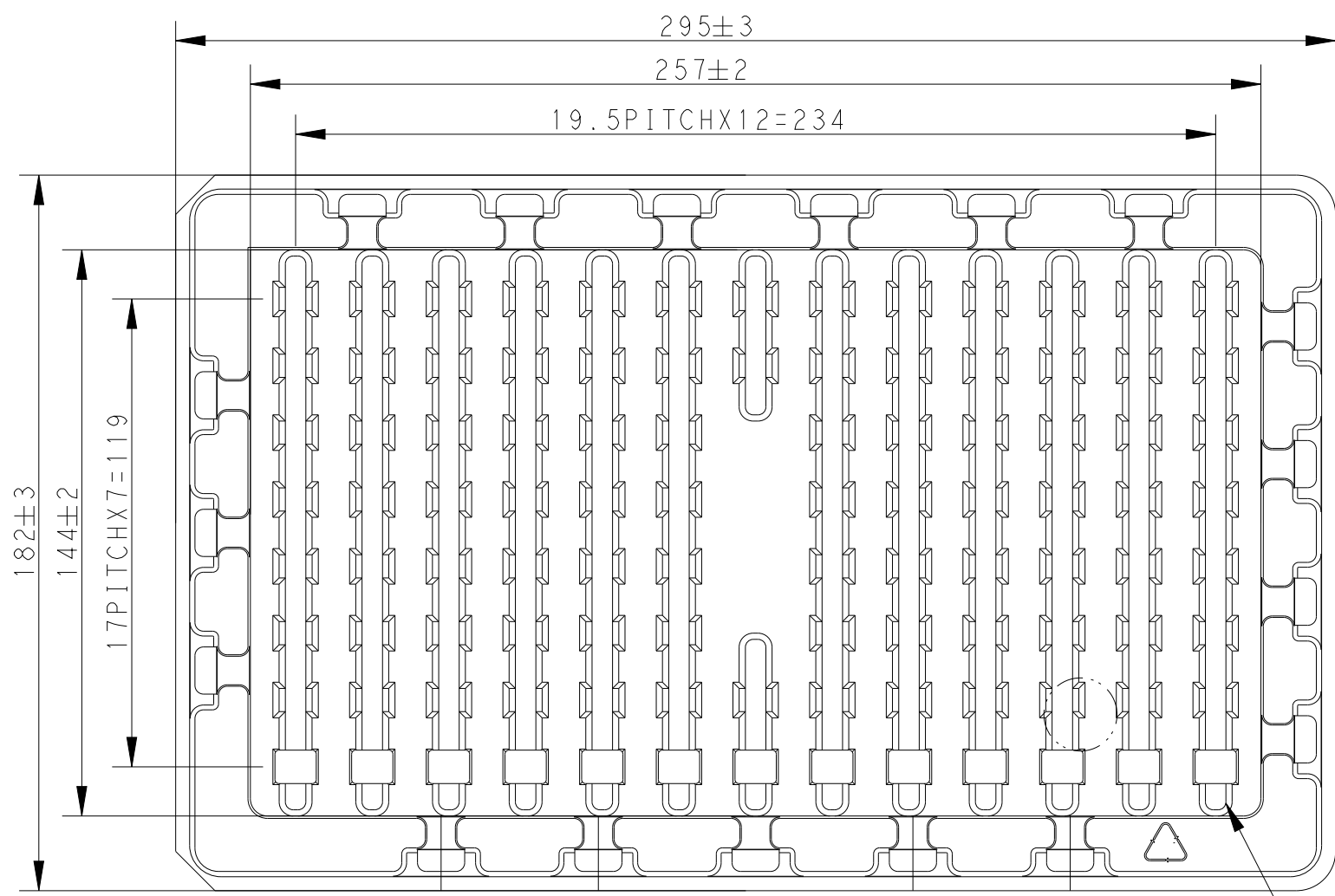
3

2

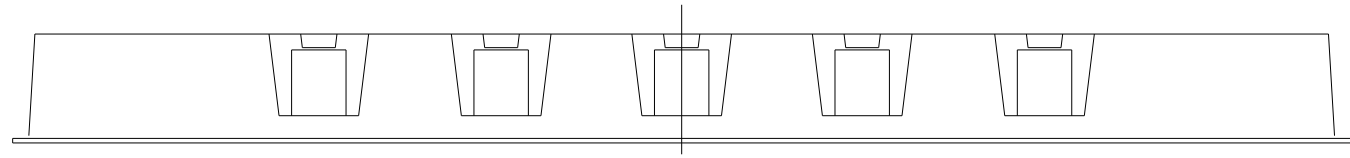
1

THIS DRAWING IS UNPUBLISHED. RELEASED FOR PUBLICATION  
 © COPYRIGHT - BY - ALL RIGHTS RESERVED.

| LOC | DIST | REVISIONS   |      |     |      |
|-----|------|-------------|------|-----|------|
| P   | LTR  | DESCRIPTION | DATE | DWN | APVD |
| -   | -    | SEE SHEET 1 | -    | -   | -    |
|     |      |             |      |     |      |
|     |      |             |      |     |      |



SEE DETAIL C



NOTE:  
 5 PACKAGE:  
 100PCS PER TRAY FOR 1-2271656-1 & 1-2271656-2

THIS DRAWING IS A CONTROLLED DOCUMENT.

| DIMENSIONS: | TOLERANCES UNLESS OTHERWISE SPECIFIED: |
|-------------|--|
| mm          | 0 PLC ±-                               |
|             | 1 PLC ±-                               |
|             | 2 PLC ±-                               |
|             | 3 PLC ±-                               |
|             | 4 PLC ±-                               |
|             | ANGLES ±-                              |
| MATERIAL    | FINISH                                 |

|                  |            |
|------------------|------------|
| DWN              | 01DEC2015  |
| LEAR ZHANG       |            |
| CHK              | 01DEC2015  |
| KOBBY ZHAO       |            |
| APVD             | 01DEC2015  |
| XU XIANG         |            |
| PRODUCT SPEC     | 108-106087 |
| APPLICATION SPEC | -          |
| WEIGHT           | -          |

|                  |                            |
|------------------|----------------------------|
| PACKAGE AS SHOWN | 1-2271656-2<br>1-2271656-1 |
| DESCRIPTION      | PART NO                    |



|  |           |            |                     |
|--|-----------|------------|---------------------|
| NAME   |           |            |                     |
| SMT VERTICAL MINI I/O RECEPTACLE<br>1.27mm PITCH |           |            |                     |
| SIZE   | CAGE CODE | DRAWING NO | RESTRICTED TO       |
| A3   | -         | ©-2271656  | -                   |
| CUSTOMER DRAWING                                 |           | SCALE 4:1  | SHEET 3 OF 4 REV C2 |

THIS DRAWING IS UNPUBLISHED.

RELEASED FOR PUBLICATION

© COPYRIGHT - BY -

ALL RIGHTS RESERVED.

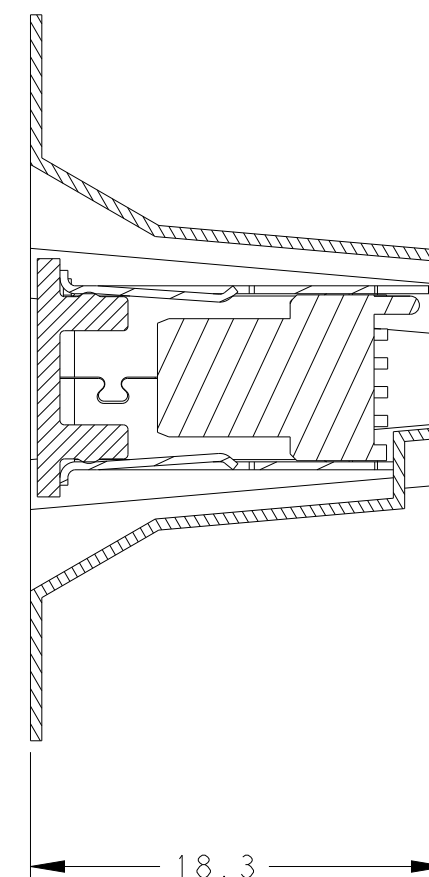
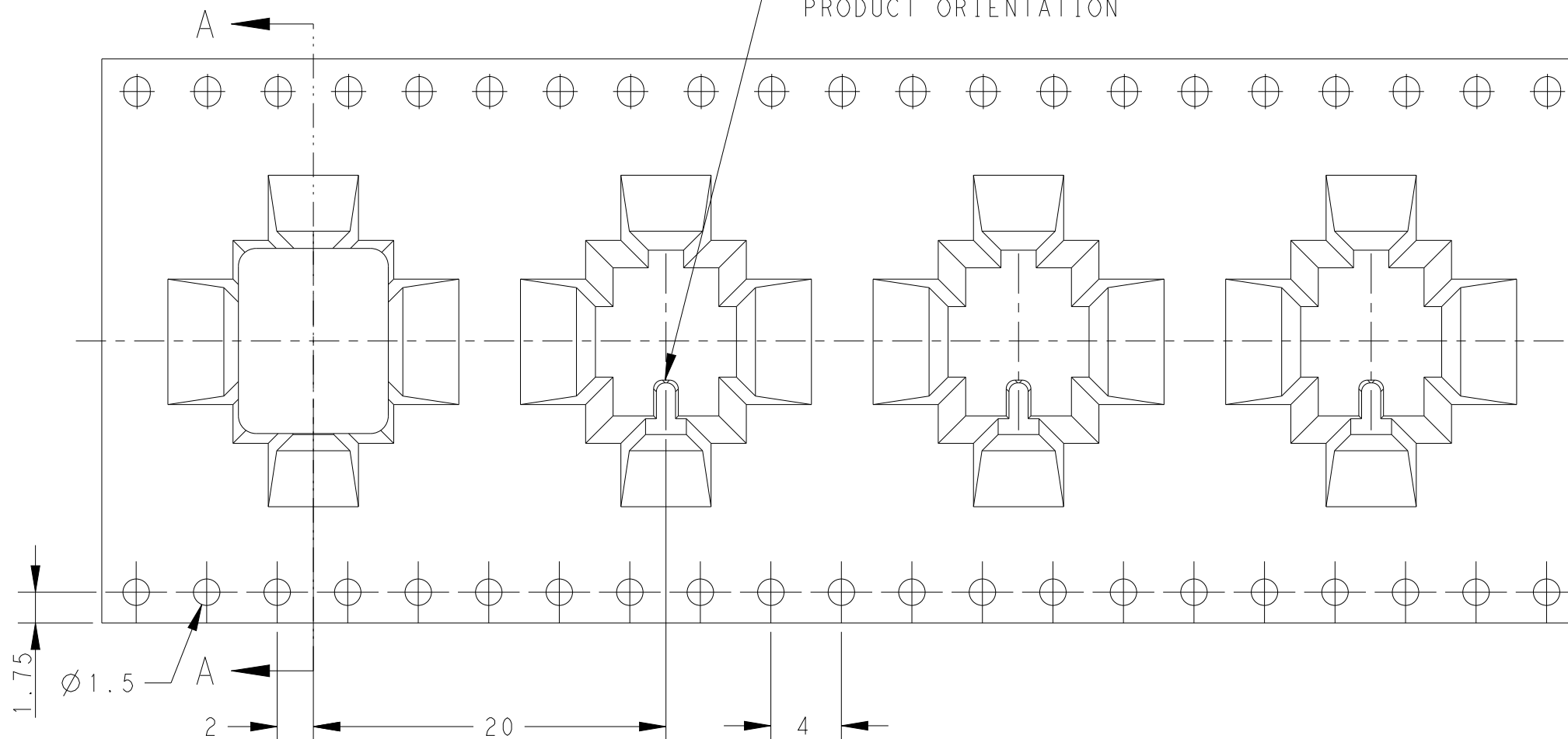
LOC - DIST -

REVISIONS

| P | LTR | DESCRIPTION | DATE | DWN | APVD |
|---|-----|-------------|------|-----|------|
| - | -   | SEE SHEET 1 | -    | -   | -    |
|   |     |             |      |     |      |
|   |     |             |      |     |      |

CODING KEY FOR PRODUCT ORIENTATION


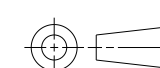
SECTION A - A



EMBOSS TAPE

|                  |             |
|------------------|-------------|
| PACKAGE AS SHOWN | 3-2271656-2 |
|                  | 3-2271656-1 |
|                  | 2-2271656-2 |
|                  | 2-2271656-1 |
| DESCRIPTION      | PART NO     |

NOTE:  
 6 PACKAGE:  
 240PCS PER REEL FOR 2-2271656-1, 2-2271656-2,  
 3-2271656-1 & 3-2271656-2

|  |  |                  |            |   |  |
|--|--|------------------|------------|---|--|
| THIS DRAWING IS A CONTROLLED DOCUMENT.   |  | DWN              | 01DEC2015  |  TE Connectivity |  |
| DIMENSIONS: mm   |  | CHK              | 01DEC2015  |   |  |
|         |  | APVD             | 01DEC2015  |   |  |
| TOLERANCES UNLESS OTHERWISE SPECIFIED:   |  | PRODUCT SPEC     | 108-106087 |   |  |
| MATERIAL -   |  | FINISH -         | -          | NAME  | SMT VERTICAL MINI I/O RECEPTACLE<br>1.27mm PITCH |
| 0 PLC ±-<br>1 PLC ±-<br>2 PLC ±-<br>3 PLC ±-<br>4 PLC ±-<br>ANGLES ±-<br>MATERIAL - FINISH - |  | APPLICATION SPEC | -          | SIZE  | A3   |
| -  |  | WEIGHT           | -          | CAGE CODE   | -  |
| -  |  | CUSTOMER DRAWING | -          | DRAWING NO  | ©-2271656  |
| -  |  | SCALE            | 4:1        | RESTRICTED TO   | -  |
| -  |  | SHEET            | 4 OF 4     | REV   | C2   |

## X-ON Electronics

Largest Supplier of Electrical and Electronic Components

*Click to view similar products for [Modular Connectors / Ethernet Connectors](#) category:*

*Click to view products by [TE Connectivity](#) manufacturer:*

Other Similar products are found below :

[8949-H88/06BLKA/SN](#) [74441-0010/BKN](#) [MP1010RX-1000](#) [MP44RX-1000](#) [PHJ-4P4C-1-V-4](#) [PHP-6P6C-5](#) [GAX-3-66](#) [GAX-8-62](#) [GDCX-PA-66-50](#) [GDCX-PN-64](#) [GDCX-PN-66](#) [GDCX-PN-66-50](#) [GDLX-A-66](#) [GDLX-N-66](#) [GDLX-S-66](#) [GDLX-S-88K](#) [GDTX-S-88-50](#) [GDX-PA-1010](#) [GLX-N-1010M-BLK](#) [GLX-S-88M-BLK](#) [GMX-N-1010](#) [GMX-S-1010](#) [GMX-S-66](#) [GMX-SMT4-N-88](#) [GPX-2-64](#) [GSGX-N-2-88](#) [GSGX-N-4-88](#) [GSX-NS2-88-3.05](#) [GSX-NS2-88-3.05-50](#) [GSX-NS-88-3.05-50](#) [PT-108A-8C-UL](#) [PT-J951-8C](#) [PTS-J531-8CS-50UL](#) [1-1775629-2](#) [A-2014-0-4](#) [GWLX-S-88-GR](#) [GWLX-S9-88-YG](#) [DC-1021-8-WH-6](#) [1300530003](#) [1324640-4](#) [RJ11FTVC2G](#) [RJ11FTVC2N](#) [RJFTVX2SA1G](#) [132764-001](#) [1413235](#) [MP88X-1000](#) [MPS88RX-5000](#) [E5288-S000K3-L](#) [E5908-15A242-L](#) [155302-001](#)