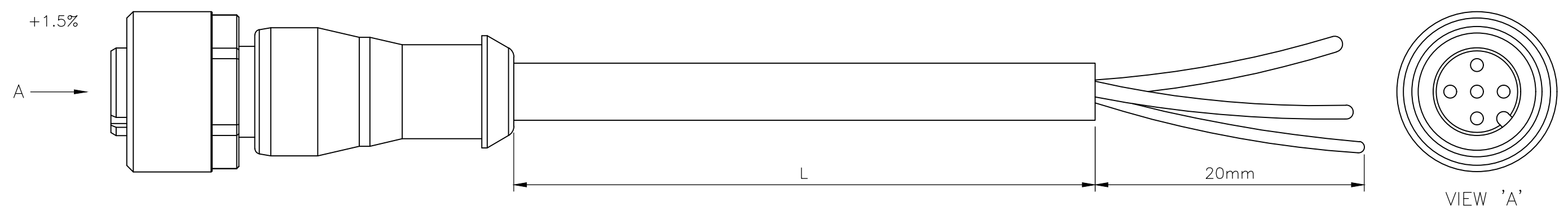


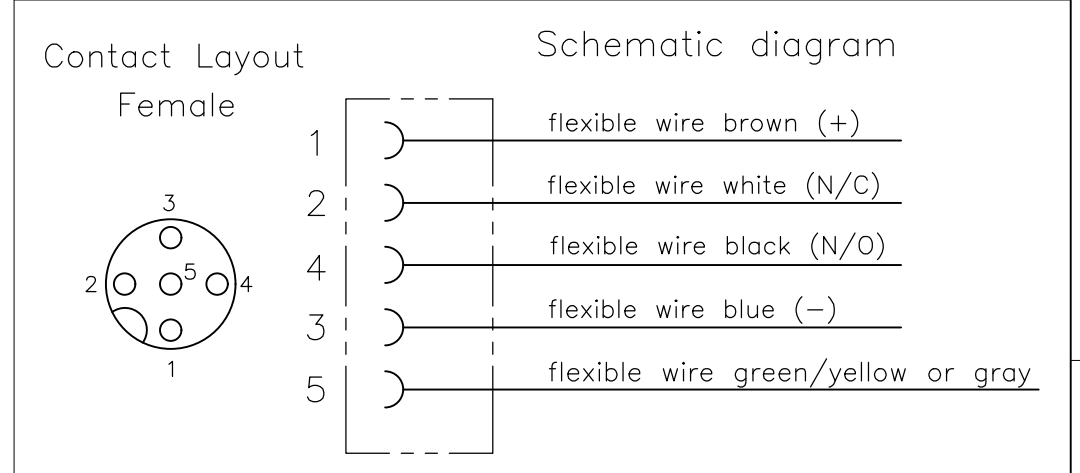
© - TE Connectivity. All Rights Reserved.

NOTES:  
 Tolerances cable lengths:  
 0m to 0.5m +30mm  
 0.5m to 1.0m +50mm  
 1.0m to 3.0m +100mm  
 < 3.0m +1.5%

P	LTR	DESCRIPTION	DATE	DWN	APVD
	A1	ECR-14-011671	16AUG2014	GSK	BvH
	A2	ECR-15-008219	01JUN2015	GSK	BvH
	A3	REVISED PER ECR-20-010730	14AUG2020	AP	BP



TECHNICAL DATA	
Operating voltage	max. 125 V AC/DC
Operating current per contact	max. 4 A
Locking of ports	Screw thread M12 x 1 mm (recommended torque 0.6 Nm) self-securing
Protection	IP65 and IP67 when plugged and screwed down (EN 60529)



PUR CABLE	
No./diameter of wires	5 x 0.34 mm <sup>2</sup>
Wire isolation	PP (br, wh, bl, bk, gnye)
C-track properties	yes
Jacket	PUR (UL/CSA)
Outer diameter	approx. 5.0 mm
Bend radius (moving)	10 x outer diameter
Temperature range (fixed)	-50...+80 °C
Temperature range (mobile)	-25...+80 °C

OBSOLETE	5 pos	LENGTH "L"	MATERIAL	JACKET COLOR	TE PN	DESCRIPTION	ITEM
		30000mm			1-2273035-6	5x22AWG PVC 30.0m	10
		20000mm			1-2273035-5	5x22AWG PVC 20.0m	9
		10000mm			1-2273035-4	5x22AWG PVC 10.0m	8
		5000mm	PVC	Black	1-2273035-3	5x22AWG PVC 5.0m	7
		3000mm			1-2273035-2	5x22AWG PVC 3.0m	6
		1500mm			1-2273035-1	5x22AWG PVC 1.5m	5
		10000mm			2273035-4	5x22AWG PUR 10.0m	4
		5000mm	PUR	Black	2273035-3	5x22AWG PUR 5.0m	3
		3000mm			2273035-2	5x22AWG PUR 3.0m	2
		1500mm			2273035-1	5x22AWG PUR 1.5m	1

PVC CABLE	
No./diameter of wires	5 x 0.34 mm <sup>2</sup>
Wire isolation	PVC (br, wh, bl, bk, gnye)
C-track properties	
Jacket	PVC (UL/CSA)
Outer diameter	approx. 5.2 mm
Bend radius (moving)	10 x outer diameter
Temperature range (fixed)	-30...+80 °C
Temperature range (mobile)	-5...+80 °C

THIS DRAWING IS A CONTROLLED DOCUMENT.

DIMENSIONS: mm	TOLERANCES UNLESS OTHERWISE SPECIFIED: 0 PLC ± - 1 PLC ± - 2 PLC ± - 3 PLC ± - 4 PLC ± - ANGLES ± -	DWN YATHISH.C 16NOV2013 CHK B.VELDHOVEN 16NOV2013 APVD A.VAN ZANDVOORT 16NOV2013	TE Connectivity <b>M12 X 1.0 STRAIGHT SOCKET PIGT A</b>	
MATERIAL	FINISH	PRODUCT SPEC 108-19483 APPLICATION SPEC 114-32127 WEIGHT 0.000000	SIZE A3 CAGE CODE 00779 DRAWING NO C-2273035	RESTRICTED TO
		CUSTOMER DRAWING		SCALE NTS SHEET 1 OF 1 REV A3

## X-ON Electronics

Largest Supplier of Electrical and Electronic Components

*Click to view similar products for [Sensor Cables / Actuator Cables](#) category:*

*Click to view products by [TE Connectivity](#) manufacturer:*

Other Similar products are found below :

[60963](#) [60964](#) [M83513/19-F01CP](#) [703000D02F2002](#) [703000D02F300](#) [703001D02F0602](#) [703001D02F300](#) [704000D02F120](#) [773032K02F030](#)  
[802027107404-1](#) [804001A09M150](#) [805001A09M0502](#) [84914-0235](#) [84914-0237](#) [885030A09M020](#) [1200651332](#) [1200651713](#) [1200660844](#)  
[1200660845](#) [1200661173](#) [1200680071](#) [1200720053](#) [1200720081](#) [1200720099](#) [1200720217](#) [1200800231](#) [1200860125](#) [1200870123](#)  
[1200980102](#) [1200650267](#) [1200650298](#) [1200660183](#) [1200660782](#) [1200660849](#) [1200661295](#) [1200661297](#) [1200661342](#) [1200661343](#)  
[1200670080](#) [1200670220](#) [1200680331](#) [1200720252](#) [1200730184](#) [1200860344](#) [1200870359](#) [1200870643](#) [1200980008](#) [1200980031](#)  
[1210502211](#) [1210400542](#)