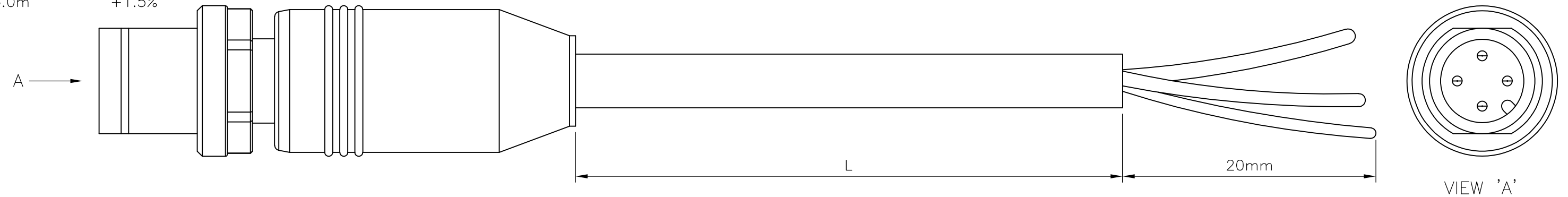


THIS DRAWING IS UNPUBLISHED. RELEASED FOR PUBLICATION
 © COPYRIGHT - By - ALL RIGHTS RESERVED.

LOC	DIST	REVISIONS				
P	LTR	DESCRIPTION	DATE	DWN	APVD	
H	-	A	INITIAL RELEASE	15NOV2013	YC	BvH
		A1	ECR-14-011671	16AUG2014	GSK	BvH

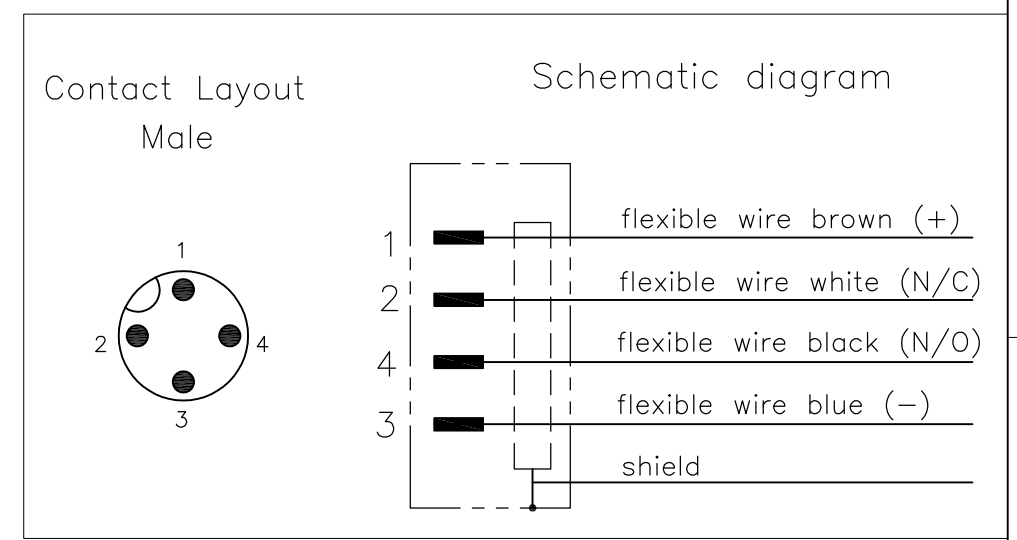
NOTES:
 Tolerances cable lengths:
 0m to 0.5m +30mm
 0.5m to 1.0m +50mm
 1.0m to 3.0m +100mm
 < 3.0m +1.5%



TECHNICAL DATA	
Operating voltage	max. 60 V AC/DC
Operating current per contact	max. 4 A
Locking of ports	Screw thread M12 x 1 mm (recommended torque 0.6 Nm) self-securing
Protection	IP65 and IP67 when plugged and screwed down (EN 60529)

PUR CABLE	
No./diameter of wires	4 x 0.34 mm ²
Wire isolation	PVC (br, wh, bl, bk)
C-track properties	
Jacket	PUR/PVC (UL/CSA)
Outer diameter	approx. 5.9 mm
Bend radius (moving)	15 x outer diameter
Temperature range (fixed)	-30...+80 °C
Temperature range (mobile)	-5...+70 °C

PVC CABLE	
No./diameter of wires	4 x 0.34 mm ²
Wire isolation	PVC (br, wh, bl, bk)
C-track properties	
Jacket	PVC (UL/CSA)
Outer diameter	approx. 5.9 mm
Bend radius (moving)	15 x outer diameter
Temperature range (fixed)	-30...+80 °C
Temperature range (mobile)	-5...+70 °C



LENGTH "L"	MATERIAL	JACKET COLOR	TE PN	DESCRIPTION	ITEM
4 pos	PVC	GREY	1-2273044-4	4x22AWG PVC 10.0m	8
			1-2273044-3	4x22AWG PVC 5.0m	7
			1-2273044-2	4x22AWG PVC 3.0m	6
			1-2273044-1	4x22AWG PVC 1.5m	5
4 pos	PUR	GREY	2273044-4	4x22AWG PUR 10.0m	4
			2273044-3	4x22AWG PUR 5.0m	3
			2273044-2	4x22AWG PUR 3.0m	2
			2273044-1	4x22AWG PUR 1.5m	1

THIS DRAWING IS A CONTROLLED DOCUMENT.		DWN YATHISH.C 15NOV2013	STE TE Connectivity		
DIMENSIONS: mm		CHK B.VELDHOVEN 15NOV2013			
TOLERANCES UNLESS OTHERWISE SPECIFIED:		APVD A.VAN ZANDVOORT 15NOV2013	NAME M12 X 1.0 STRAIGHT PLUG PIGT SHLD A		
0 PLC ± -		PRODUCT SPEC 108-19483	SIZE CAGE CODE DRAWING NO RESTRICTED TO		
1 PLC ± -		APPLICATION SPEC 114-32127	A3 00779 C-2273044		
2 PLC ± -		WEIGHT -	CUSTOMER DRAWING SCALE NTS SHEET 1 OF 1 REV A1		
3 PLC ± -					
4 PLC ± -					
ANGLES ± -					
FINISH -					

X-ON Electronics

Largest Supplier of Electrical and Electronic Components

Click to view similar products for [Sensor Cables / Actuator Cables](#) category:

Click to view products by [TE Connectivity](#) manufacturer:

Other Similar products are found below :

[60963](#) [60964](#) [703000D02F2002](#) [703001D02F0602](#) [703001D02F300](#) [704000D02F120](#) [773032K02F030](#) [802027107404-1](#) [802027213811-1](#)
[804001A09M150](#) [805001A09M0502](#) [84914-0235](#) [84914-0237](#) [885030A09M020](#) [8R4J30E03C3003](#) [1200651332](#) [1200651713](#) [1200660844](#)
[1200660845](#) [1200661173](#) [1200680071](#) [1200720053](#) [1200720081](#) [1200720099](#) [1200720217](#) [1200800231](#) [1200860125](#) [1200870123](#)
[1200980102](#) [1200650267](#) [1200650298](#) [1200660183](#) [1200660782](#) [1200660849](#) [1200661295](#) [1200661297](#) [1200661342](#) [1200661343](#)
[1200670080](#) [1200670220](#) [1200680331](#) [1200720252](#) [1200730184](#) [1200860344](#) [1200870359](#) [1200870643](#) [1200980008](#) [1200980031](#)
[1210502211](#) [1210400542](#)