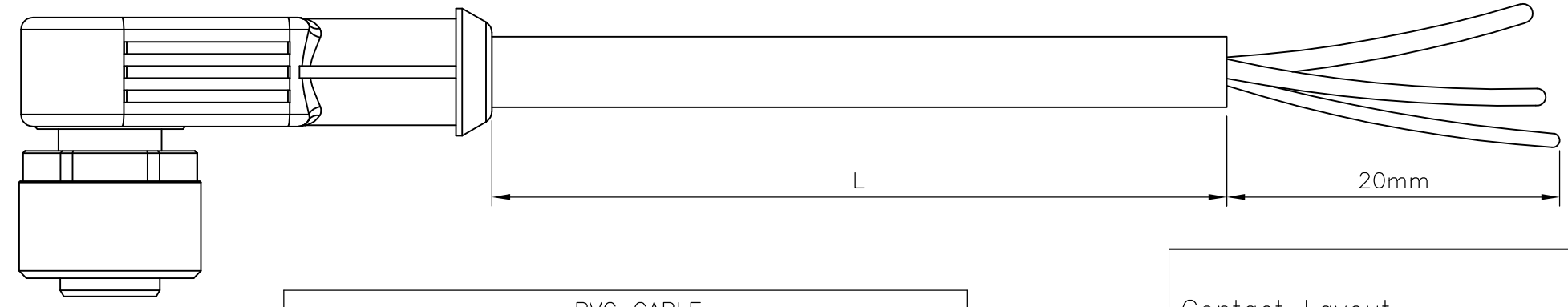
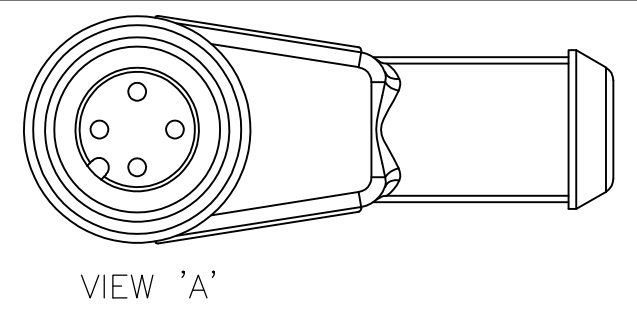


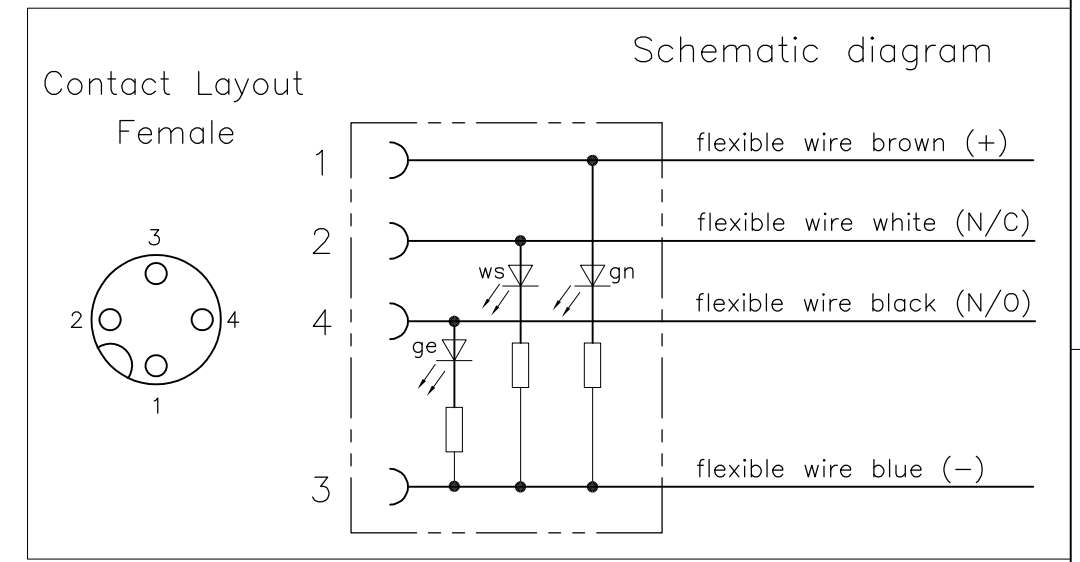
THIS DRAWING IS UNPUBLISHED. RELEASED FOR PUBLICATION
 © COPYRIGHT - By - ALL RIGHTS RESERVED.

P	LTR	DESCRIPTION	DATE	DWN	APVD
	A	INITIAL RELEASE	27NOV2013	GSK	BvH
	A1	ECR-14-015049	13OCT2014	GSK	BvH
	A2	ECR-16-003945	16MAR2016	GSK	BvH

NOTES:
 Tolerances cable lengths:
 0m to 0.5m +30mm
 0.5m to 1.0m +50mm
 1.0m to 3.0m +100mm
 < 3.0m +1.5%



PVC CABLE	
No./diameter of wires	4 x 0.34 mm ²
Wire isolation	PVC (br, wh, bl, bk)
C-track properties	
Jacket	PVC (UL/CSA)
Outer diameter	approx. 5.0 mm
Bend radius (moving)	10 x outer diameter
Temperature range (fixed)	-30...+80 °C
Temperature range (mobile)	-5...+80 °C



TECHNICAL DATA	
Operating voltage	24 V DC ±25 %
Operating current per contact	max. 4 A
Locking of ports	Screw thread M12 x 1 mm (recommended torque 0.6 Nm) self-securing
Protection	IP65 and IP67 when plugged and screwed down (EN 60529)

LENGTH "L"	MATERIAL	JACKET COLOR	TE PN	DESCRIPTION	ITEM
4 pos	PVC	Black	1-2273105-4	4x22AWG PVC 10.0m	8
			1-2273105-3	4x22AWG PVC 5.0m	7
			1-2273105-2	4x22AWG PVC 3.0m	6
			1-2273105-1	4x22AWG PVC 1.5m	5
4 pos	PUR	Black	2273105-4	4x22AWG PUR 10.0m	4
			2273105-3	4x22AWG PUR 5.0m	3
			2273105-2	4x22AWG PUR 3.0m	2
			2273105-1	4x22AWG PUR 1.5m	1

PUR CABLE	
No./diameter of wires	4 x 0.34 mm ²
Wire isolation	PP (br, wh, bl, bk)
C-track properties	5 million
Jacket	PUR (UL/CSA)
Outer diameter	approx. 4.7 mm
Bend radius (moving)	10 x outer diameter
Temperature range (fixed)	-40...+80 °C
Temperature range (mobile)	-25...+80 °C

THIS DRAWING IS A CONTROLLED DOCUMENT.

DIMENSIONS: mm	TOLERANCES UNLESS OTHERWISE SPECIFIED:	DWN SATHISH KUMAR .G 27NOV2013	TE Connectivity M12 X 1.0 ANGLED SOCKET PIGT 3 LED A
	0 PLC ± -	CHK B.VELDHOVEN 27NOV2013	
	1 PLC ± -	APVD A.VAN ZANDVOORT 27NOV2013	
	2 PLC ± -	PRODUCT SPEC 108-19483	
	3 PLC ± -	APPLICATION SPEC 114-32127	NAME
	4 PLC ± -	WEIGHT	SIZE CAGE CODE DRAWING NO RESTRICTED TO
MATERIAL -	FINISH -	CUSTOMER DRAWING	A3 00779 C-2273105
		SCALE NTS	SHEET 1 OF 1 REV A2

X-ON Electronics

Largest Supplier of Electrical and Electronic Components

Click to view similar products for [Sensor Cables / Actuator Cables](#) category:

Click to view products by [TE Connectivity](#) manufacturer:

Other Similar products are found below :

[60963](#) [60964](#) [703000D02F2002](#) [703000D02F300](#) [703001D02F0602](#) [703001D02F300](#) [704000D02F120](#) [773032K02F030](#) [802027107404-1](#)
[804001A09M150](#) [805001A09M0502](#) [84914-0235](#) [84914-0237](#) [885030A09M020](#) [1200651332](#) [1200651713](#) [1200660844](#) [1200660845](#)
[1200661173](#) [1200680071](#) [1200720053](#) [1200720081](#) [1200720099](#) [1200720217](#) [1200800231](#) [1200860125](#) [1200870123](#) [1200980102](#)
[1200650267](#) [1200650298](#) [1200660183](#) [1200660782](#) [1200660849](#) [1200661295](#) [1200661297](#) [1200661342](#) [1200661343](#) [1200670080](#)
[1200670220](#) [1200680331](#) [1200720252](#) [1200730184](#) [1200860344](#) [1200870359](#) [1200870643](#) [1200980008](#) [1200980031](#) [1210502211](#)
[1210400542](#) [1211810021](#)