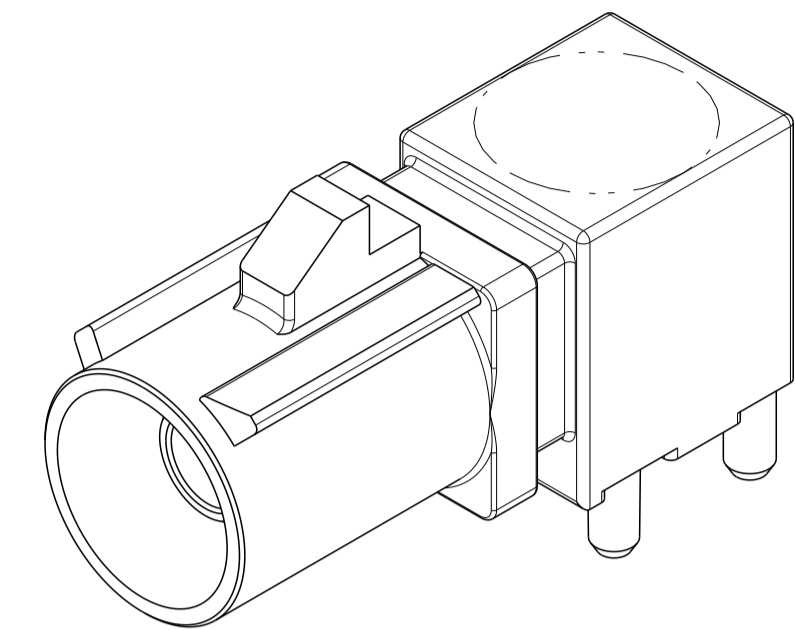
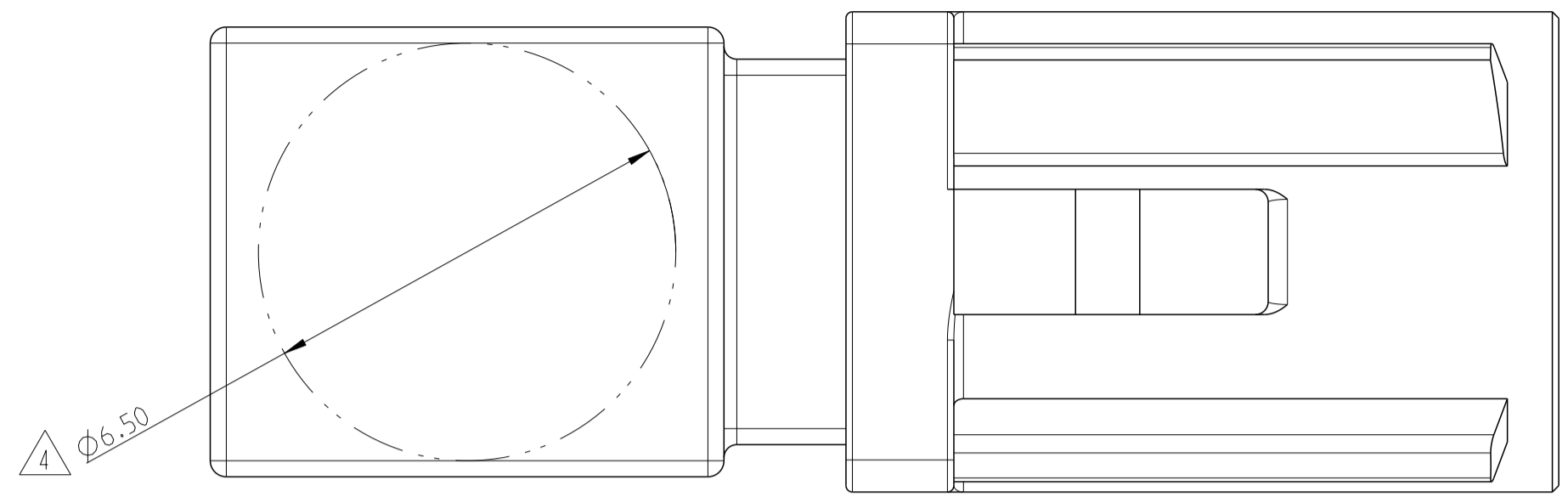
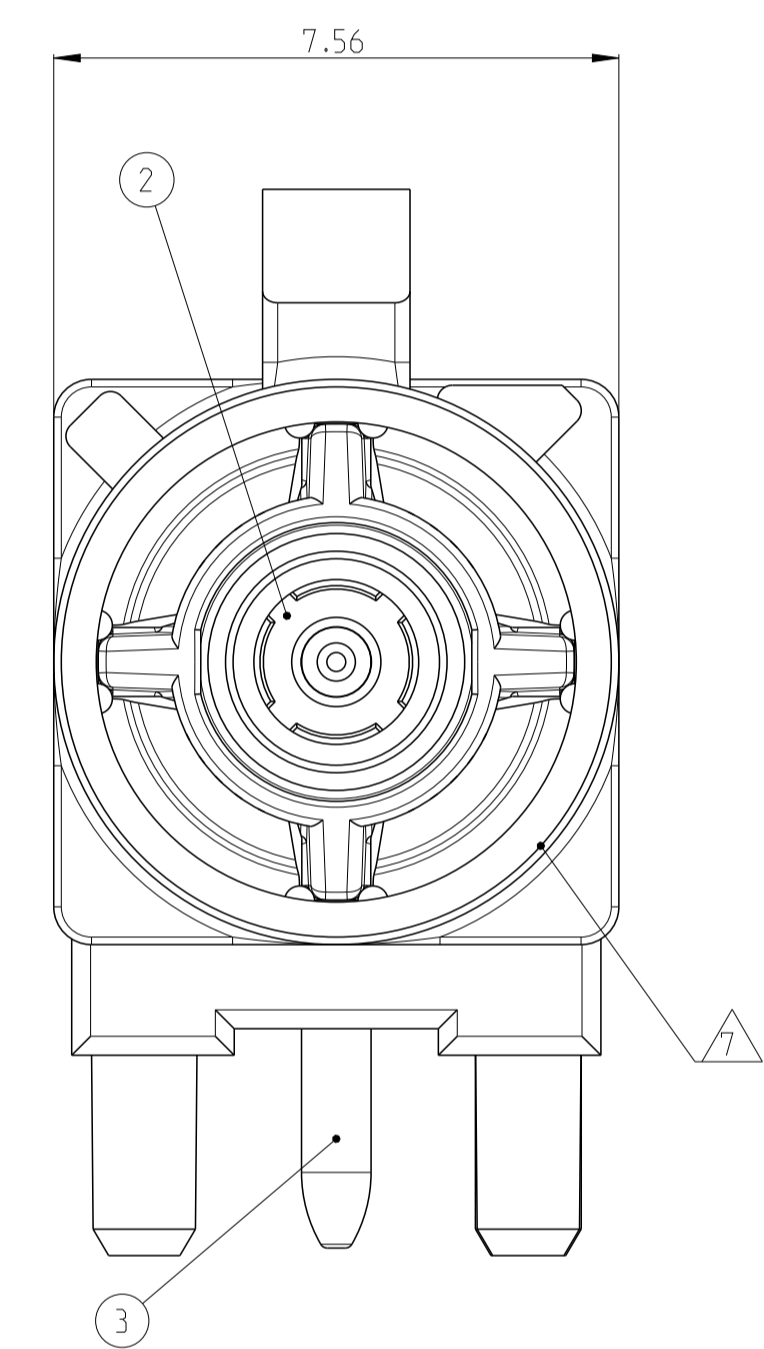
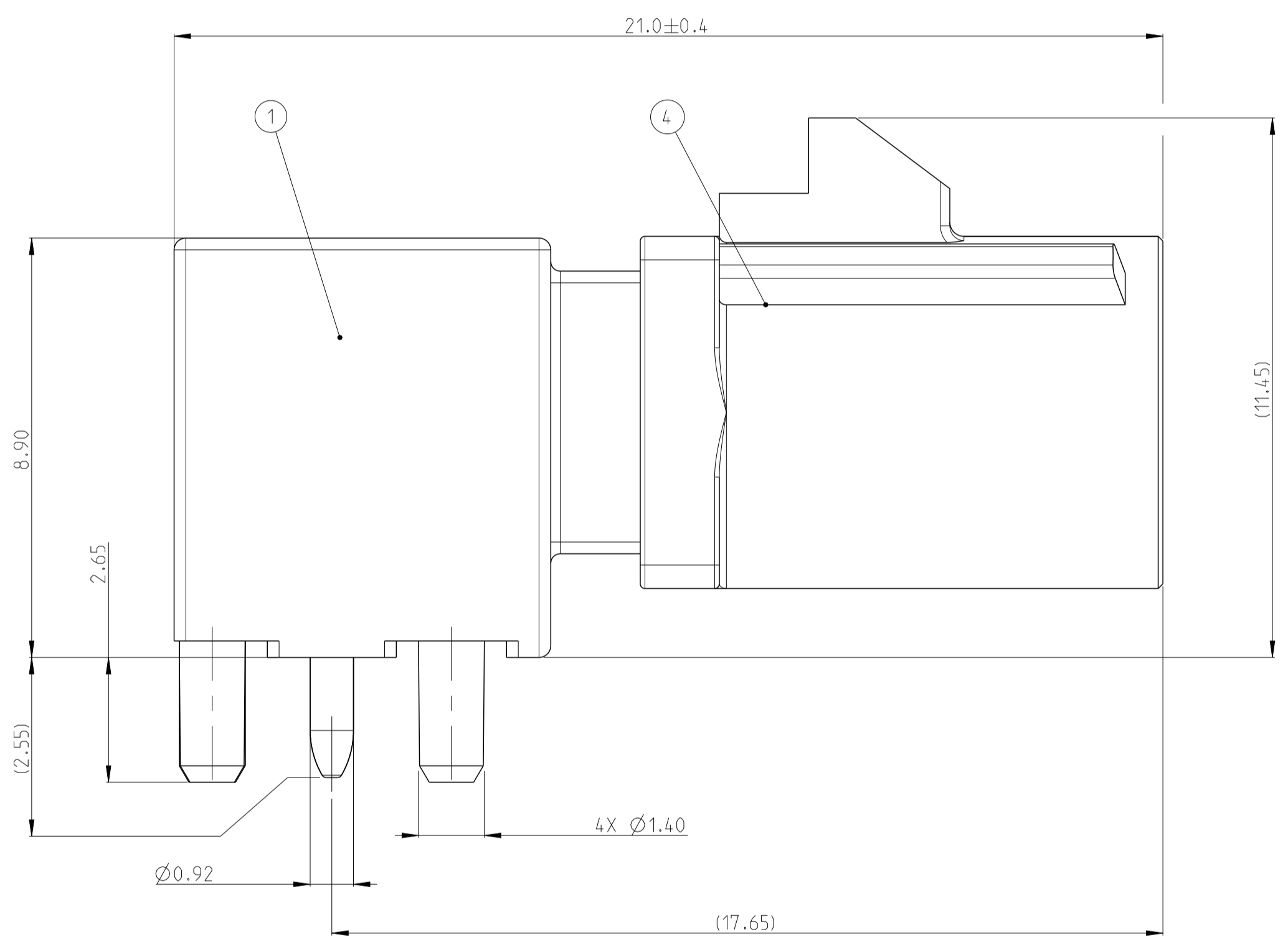


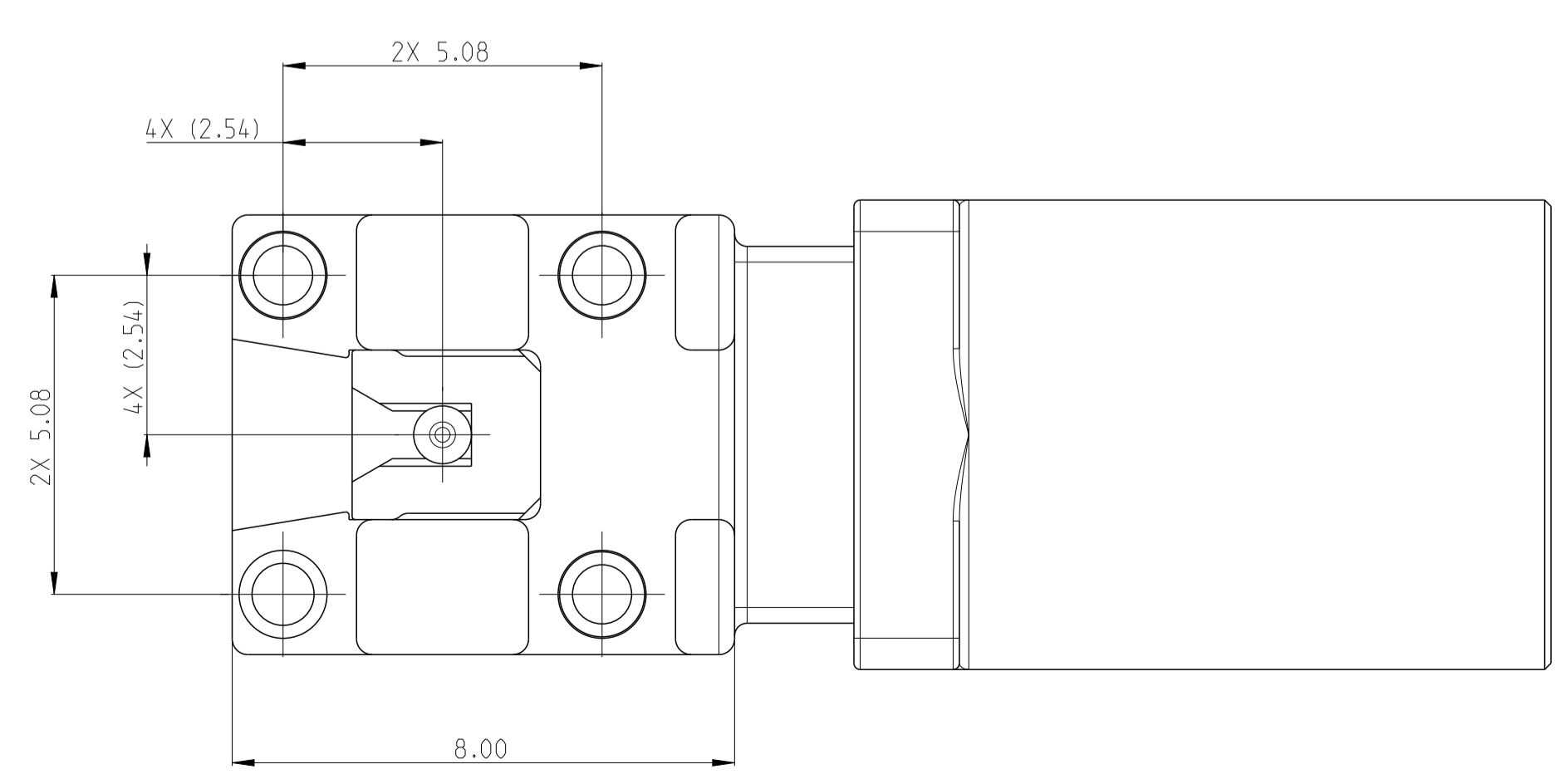
REVISIONS				
P	LTN	DESCRIPTION	DATE	OWN APVD
A		INITIAL RELEASE	28MAR16	D.Z I.Y
B		REV PER ECR-19-013955	09SEP19	D.Z W.W



SCALE 5:1



- 1 NOSE CONE - NYLON. COLOR: SEE TABLE. 25% GLASS FILLED.  
DIELECTRIC - POLYESTER PCT. NATURAL. 30% GLASS FILLED.  
PIN CONTACT - BRASS.  
OUTER SHELL - ZINC.
  - 2 PIN CONTACT - 0.38 µm MIN GOLD ON INTERFACE END.  
2.5 µm MIN TIN ON SOLDER END.  
BOTH OVER 1.3 µm MIN NICKEL.  
OUTER SHELL - 2.0 µm MIN TIN OVER 1.52 µm MIN NICKEL.  
BOTH OVER 2.54 µm MAX COPPER.
  - 3 MASS = 3.94g (REFERENCE)
  - 4 VACUUM PICKUP AREA.
  - 5 MINIMUM RECOMMENDED GROUND PLANE.
  - 6 SIGNAL DIMENSION TRACE RECOMMENDED FOR OPTIMUM SIGNAL PERFORMANCE.
  - 7 MALE INTERFACE PER ISO-20860-1. ROAD VEHICLES 50 Ohm RADIO FREQUENCY INTERFACE.
- 8 PACKAGING: TAPE AND REEL.



PER DETAIL Z	WATER BLUE	MATERIAL BRASS	MATERIAL PCT	MATERIAL ZINC ALLOY	Z	2-2291392-0
PER DETAIL N	PASTEL GREEN				N	1-2291392-3
PER DETAIL M	PASTEL ORANGE				M	1-2291392-2
PER DETAIL L	CARMINE RED				L	1-2291392-1
PER DETAIL K	CURRY				K	1-2291392-0
PER DETAIL I	BEIGE				I	2291392-9
PER DETAIL H	HEATHER VIOLET				H	2291392-8
PER DETAIL G	BLUE GREY				G	2291392-7
PER DETAIL F	NUT BROWN				F	2291392-6
PER DETAIL E	LEAF GREEN				E	2291392-5
PER DETAIL D	CLARET VIOLET				D	2291392-4
PER DETAIL C	SIGNAL BLUE				C	2291392-3
PER DETAIL B	CREAM				B	2291392-2
PER DETAIL A	JET BLACK				A	2291392-1
CODING DETAIL	4 NOSE CONE COLOR	3 CENTER PIN	2 DIELECTRIC	1 DIE CASTING	CODING REF	PART NUMBER

THIS DRAWING IS A CONTROLLED DOCUMENT. DWN ERIC R LOVE 08MAY2015  
 CHK ERIC R LOVE 08MAY2015  
 APVD ERIC R LOVE 08MAY2015

**STE** TE Connectivity

NAME MALE ASSEMBLY, STANDOFF  
 1 POSITION, PCB, FAKRA

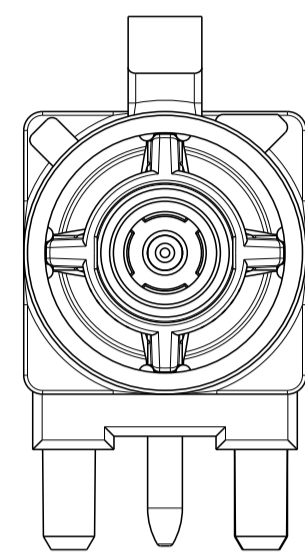
PRODUCT SPEC 108-32058  
 APPLICATION SPEC

SIZE CAGE CODE DRAWING NO RESTRICTED TO  
 A1 00779 C=2291392

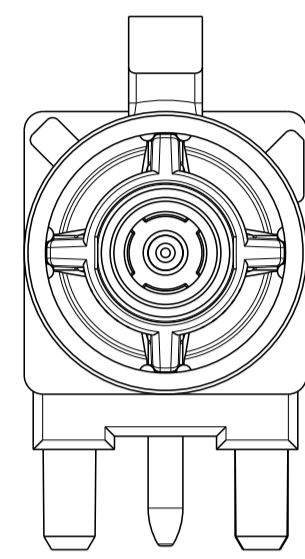
WEIGHT -  
 CUSTOMER DRAWING SCALE 10:1 SHEET 1 OF 2 REV B

REVISIONS				
P.	LTN.	DESCRIPTION	DATE	APVD.
-	-	SEE SHEET 1	-	-

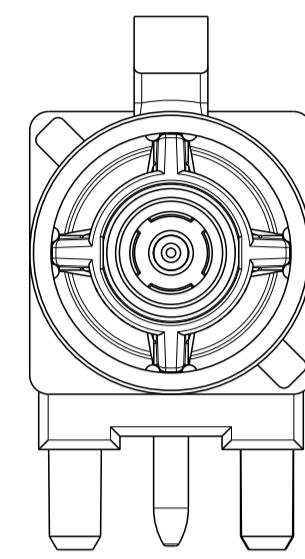
### CODINGS



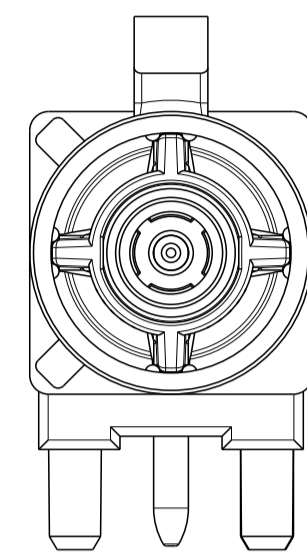
DETAIL A  
SCALE 5:1



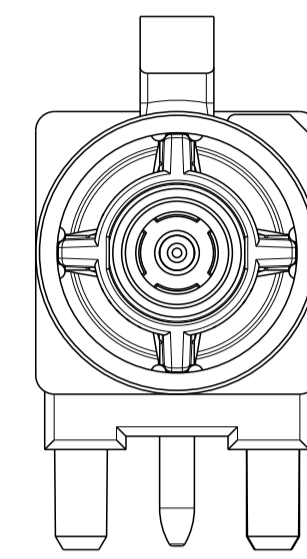
DETAIL B  
SCALE 5:1



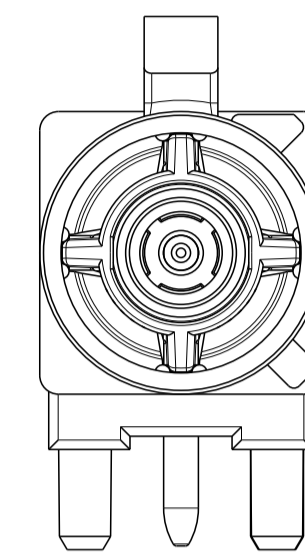
DETAIL C  
SCALE 5:1



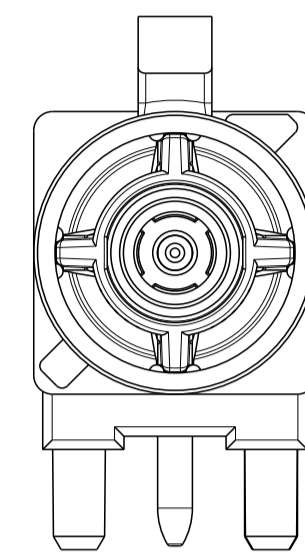
DETAIL D  
SCALE 5:1



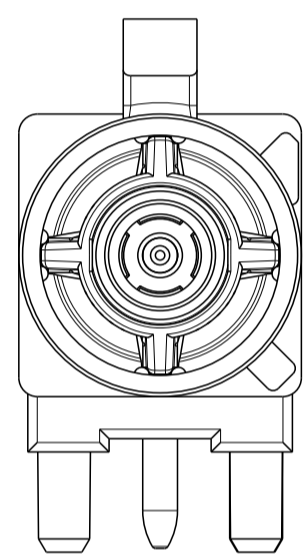
DETAIL E  
SCALE 5:1



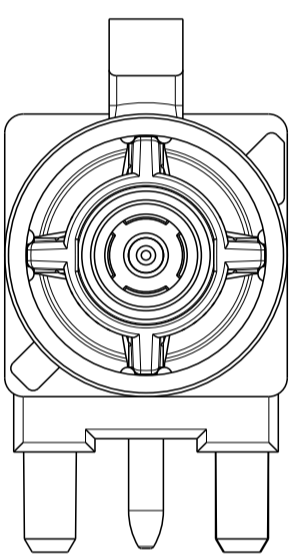
DETAIL F  
SCALE 5:1



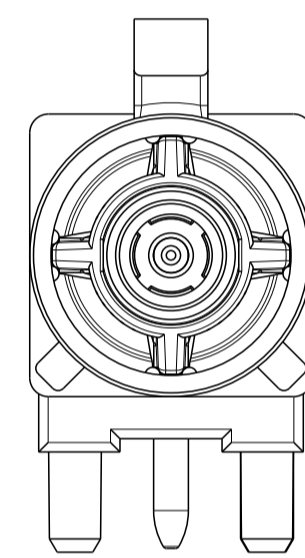
DETAIL G  
SCALE 5:1



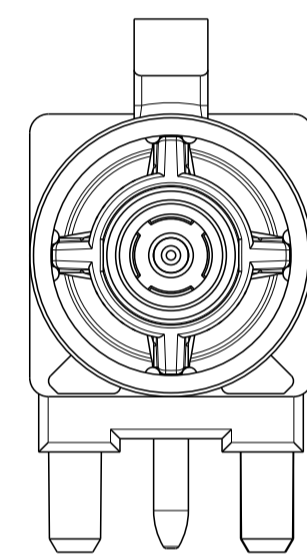
DETAIL H  
SCALE 5:1



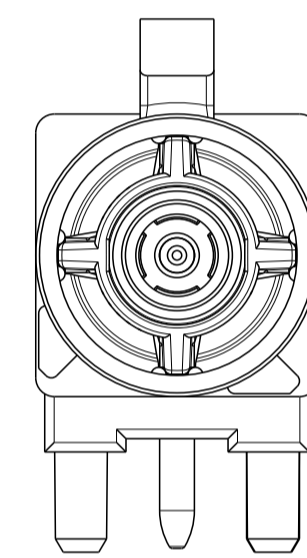
DETAIL I  
SCALE 5:1



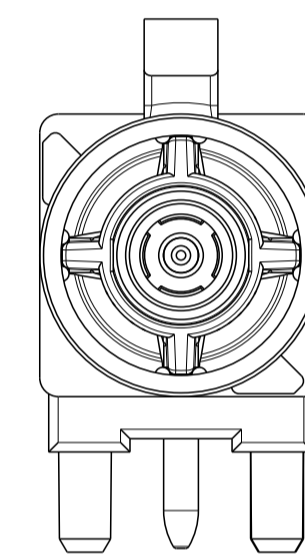
DETAIL K  
SCALE 5:1



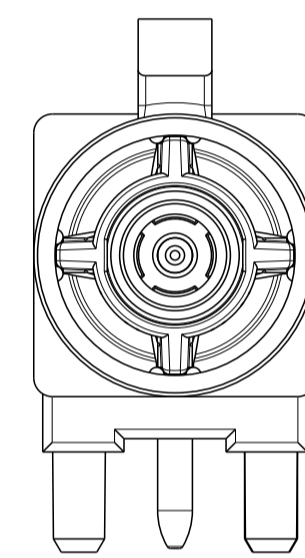
DETAIL L  
SCALE 5:1



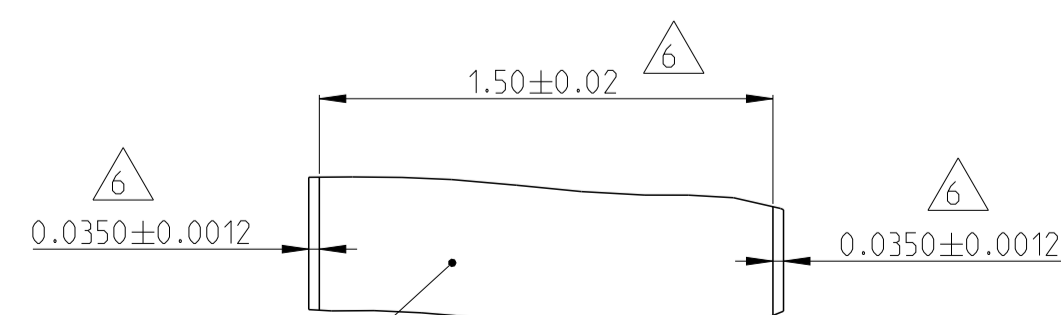
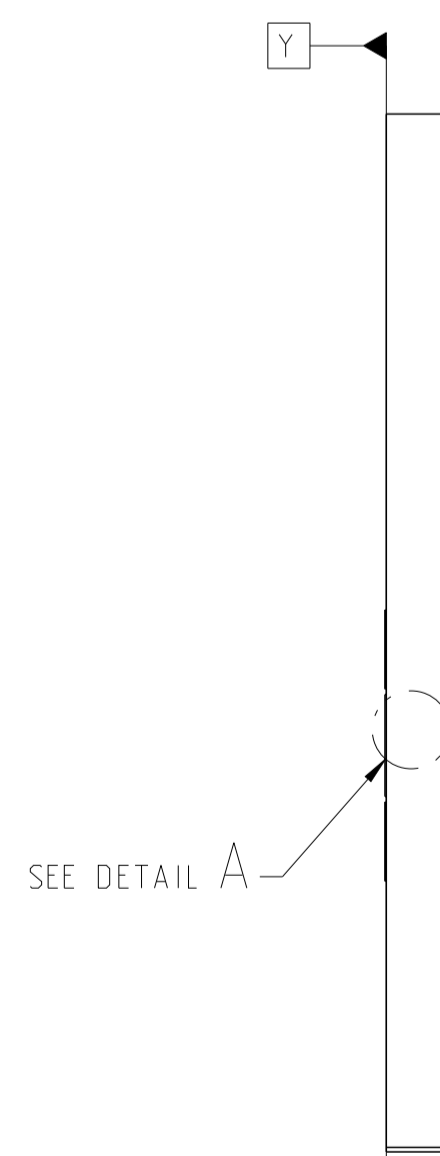
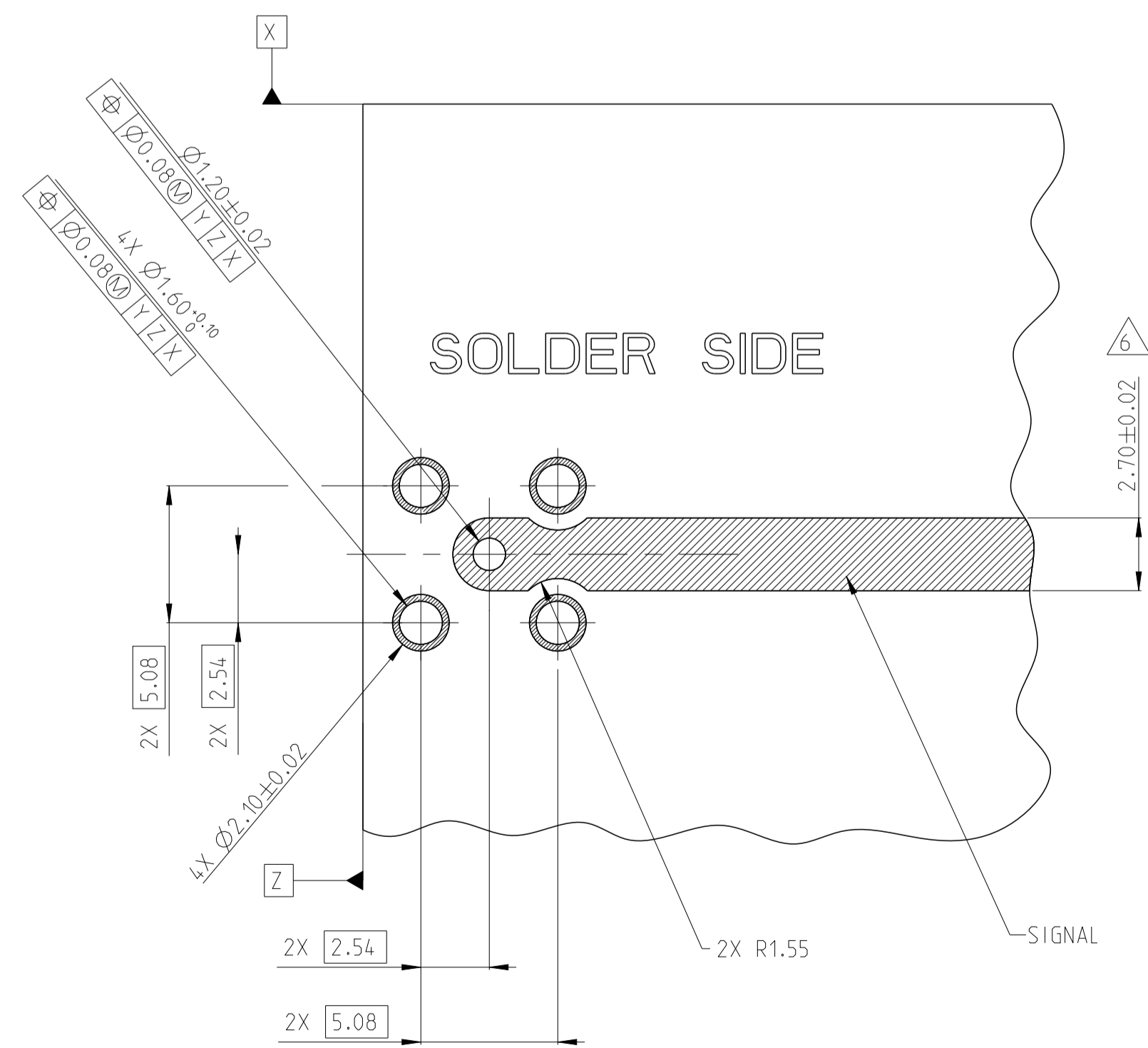
DETAIL M  
SCALE 5:1



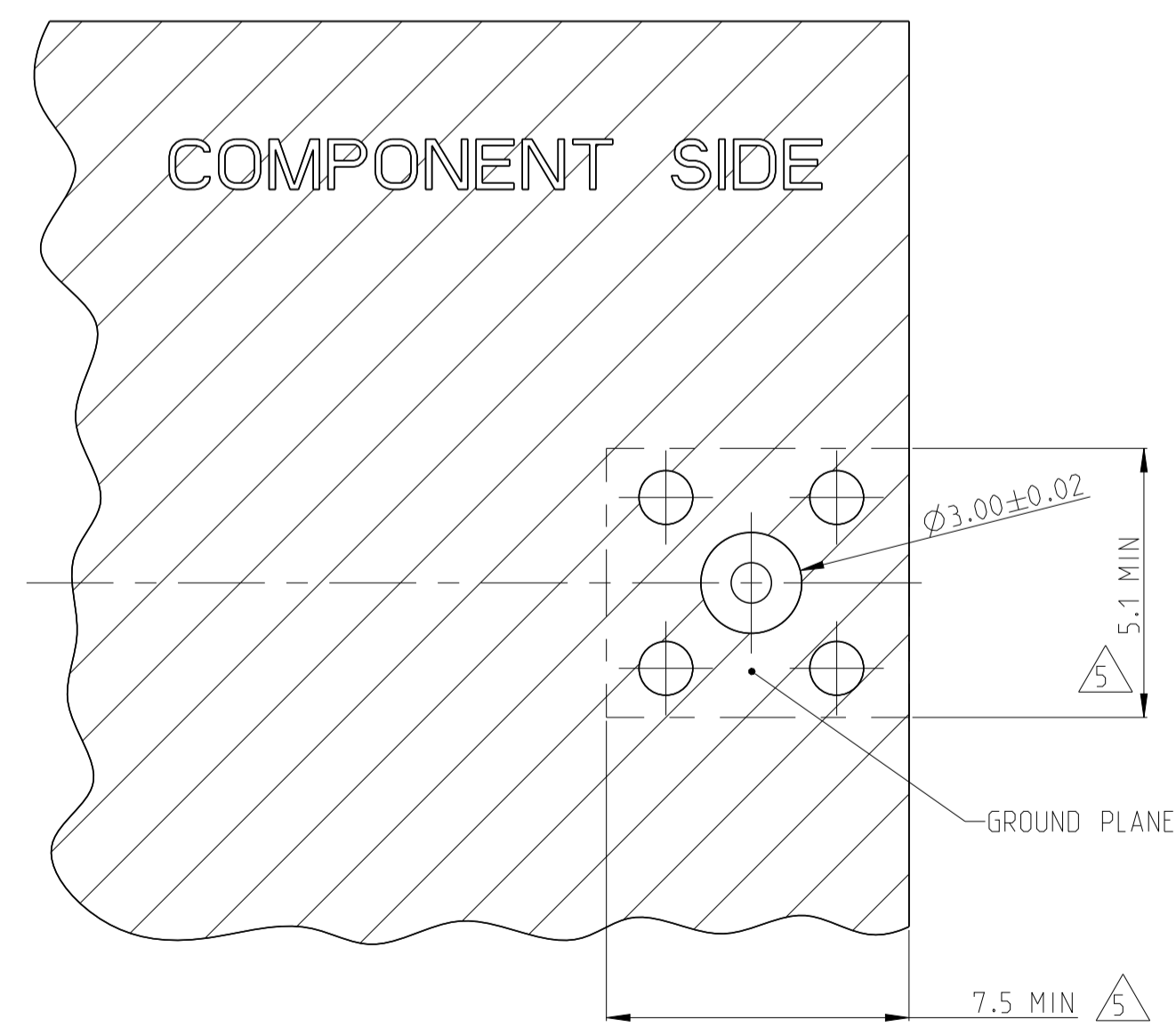
DETAIL N  
SCALE 5:1



DETAIL Z  
SCALE 5:1



△ MATERIAL DIELECTRIC CONSTANT; FR4 = 4.51



THIS DRAWING IS A CONTROLLED DOCUMENT.		DWN: ERIC R LOVE 08MAY2015 CHK: ERIC R LOVE 08MAY2015 APVD: ERIC R LOVE 08MAY2015	TE Connectivity
DIMENSIONS: mm 	TOLERANCES UNLESS OTHERWISE SPECIFIED: 0 PLC ± 1 PLC ±0.3 2 PLC ±0.20 3 PLC ± 4 PLC ± ANGLES ±	NAME: MALE ASSEMBLY, STANDOFF 1 POSITION, PCB, FAKRA PRODUCT SPEC: APPLICATION SPEC: SIZE: A1 CAGE CODE: 00779 DRAWING NO: C=2291392	
MATERIAL: -	FINISH: -	WEIGHT: -	RESTRICTED TO: CUSTOMER DRAWING SCALE: 6:1 SHEET 2 OF 2 REV B

## X-ON Electronics

Largest Supplier of Electrical and Electronic Components

*Click to view similar products for [Automotive Connectors](#) category:*

*Click to view products by [TE Connectivity](#) manufacturer:*

Other Similar products are found below :

[003-018-000](#) [60403001](#) [60993906-B](#) [M902-2131](#) [M902-2161](#) [72.330.1035.1](#) [73.353.4028.0](#) [F119300-B](#) [F166900](#) [F258300-B](#) [F358300-B](#)  
[F407400](#) [F444110](#) [F487000](#) [F509500B-B](#) [827153-1](#) [8N1515-32-24P](#) [9-1326729-8](#) [925474-1](#) [928905-1](#) [964562-4](#) [968782-1](#) [GT17SA-8DS-](#)  
[HU](#) [98891-1012](#) [98947-1016](#) [12004147](#) [12004475-L](#) [12010290](#) [12010309-B](#) [12015454](#) [12020219-B](#) [12020308](#) [12041318-B](#) [12052225-L](#)  
[12052466](#) [12059125](#) [12064869](#) [12004327-B](#) [12010503-B](#) [12015308](#) [12015384](#) [12015909](#) [1-21030-1](#) [12041254](#) [12041318](#) [12047946-B](#)  
[12047957](#) [12047957-L](#) [12059473](#) [12066261](#)