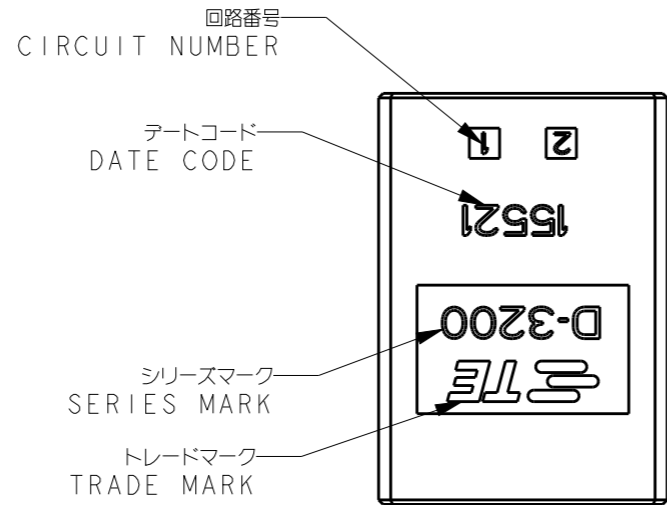


THIS DRAWING IS UNPUBLISHED. RELEASED FOR PUBLICATION 20
 © COPYRIGHT 20 BY - ALL RIGHTS RESERVED.

REVISIONS
変更

P	LTR	DESCRIPTION	DATE	DWN	APVD
	A	RELEASED	05SEP2016	Y.O	N.Y

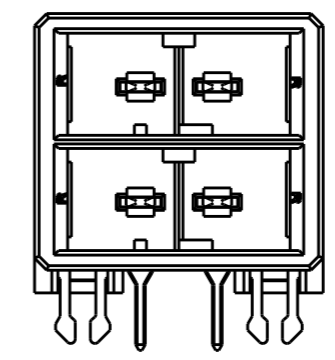
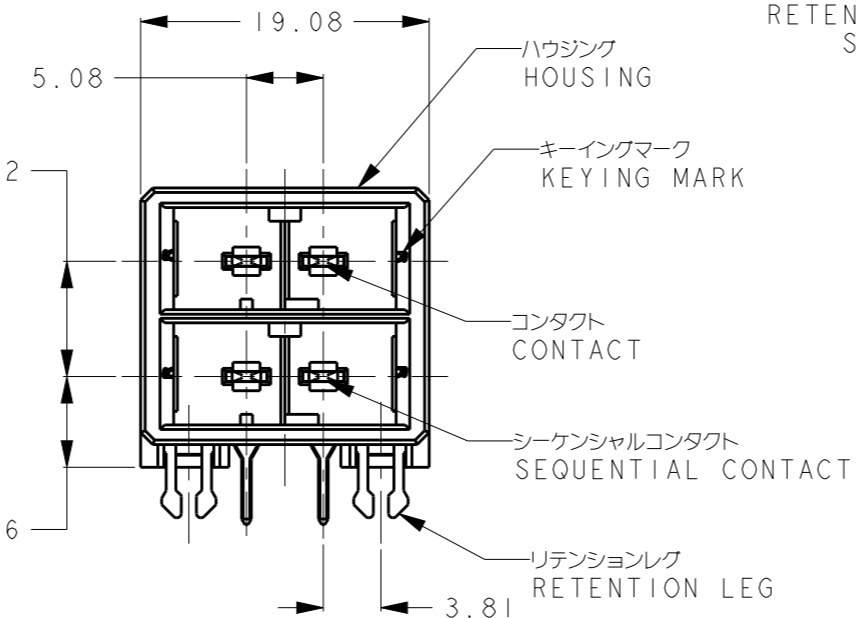
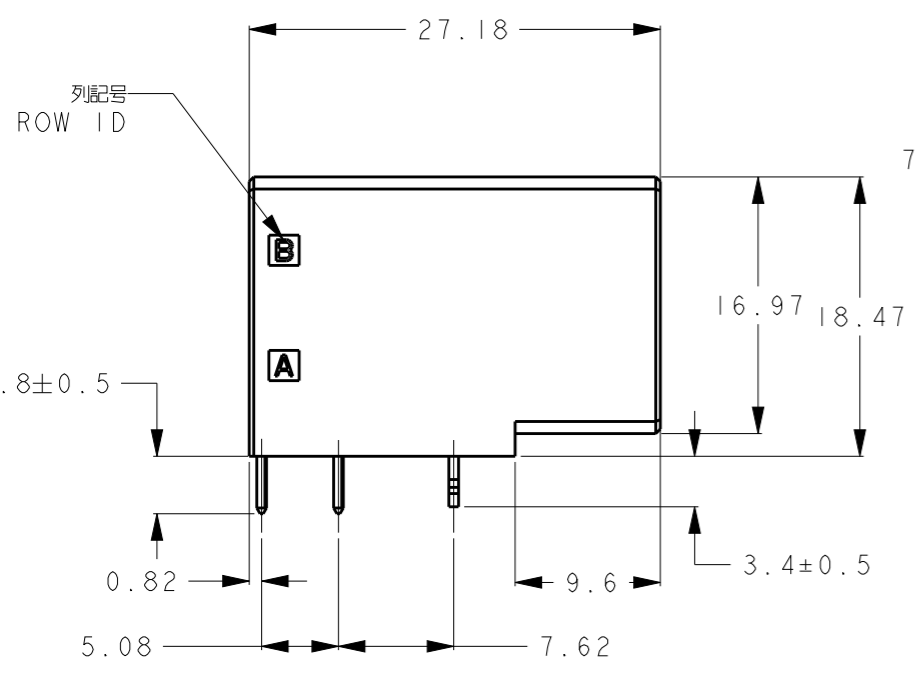


1. MATERIAL
 HOUSING: THERMO PLASTIC POLYESTER
 COLOR: BLACK
 CONTACT: COPPER ALLOY
 RETENTION LEG: COPPER ALLOY

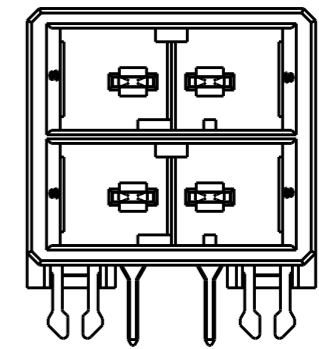
1. 材料
 ハウジング: 熱可塑性ポリエステル 色: 黒色
 コンタクト: 銅合金
 リテンションレグ: 銅合金

2. FINISH
 CONTACT: Ni UNDER-PLATING ALLOVER
 CONTACT AREA:
 GOLD PLATING OVER Ni PLATING
 0.38um MIN
 SOLDERING AREA (CONTACT TAIL):
 TIN PLATING
 RETENTION LEG: Ni UNDER-PLATING ALLOVER
 SOLDERING AREA: TIN PLATING

2. 仕上げ
 コンタクト: 全面Ni下地
 接点部: 0.38um MIN金めっき
 半田付け部: 錫めっき
 リテンションレグ: 全面Ni下地
 半田付け部: 錫めっき



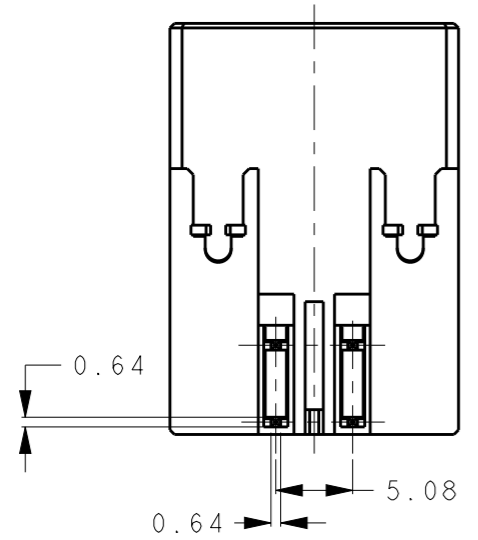
RR-KEYING
 1-2299004-1



SS-KEYING
 2-2299004-1

VIEW A

A	2	2	SS	2-2299004-1
A	2	2	RR	1-2299004-1
列記号 ROW ID	回路番号 CIRCUIT NUMBER	仕上げ FINISH	キーイング KEYING	型番 PART NUMBER
シーケンシャルコンタクト位置 POSITION OF SEQUENTIAL CONTACT				



VIEW A

THIS DRAWING IS A CONTROLLED DOCUMENT.

DIMENSIONS: 単位: 耗 mm	TOLERANCES UNLESS OTHERWISE SPECIFIED: 一般公差 ±0.4 0 PLC ±0.5 1 PLC ±0.1 2 PLC ±0.01 3 PLC ±0.005 4 PLC ± ANGLES ±°	DWN Y. OKADA 11APR2016 CHK E. TAKEMASA 13APR2016 APVD N. YAMASAKI 13APR2016 PRODUCT SPEC 108-5349 APPLICATION SPEC 取付適用規格	TE Connectivity NAME 名称: HEADER HOUSING, 4POSN, DOUBLE ROW, HORIZONTAL, DYNAMIC 3200M	
MATERIAL 材料: SEE NOTE	FINISH 仕上: SEE TABLE	WEIGHT: -	SIZE: A300779	CAGE CODE: C-2299004
CUSTOMER DRAWING		SCALE 尺度: 2:1	SHEET 1 OF 2	REV A

4

3

2

1

THIS DRAWING IS UNPUBLISHED.

RELEASED FOR PUBLICATION

20

© COPYRIGHT 20

BY -

ALL RIGHTS RESERVED.

REVISIONS

変更

P	LTR	DESCRIPTION	DATE	DWN	APVD
-	-	SEE SHEET 1	-	-	-

コネクタ外形
OUTLINE OF
HDR HOUSING

スケール 4:1
SCALE 4:1

推奨基板レイアウト 板厚: 1.6 ± 0.1

RECOMENDED PCB LAYOUT
THICKNESS: 1.6 ± 0.1

THIS DRAWING IS A CONTROLLED DOCUMENT.

DIMENSIONS:
単位: 概
mm

TOLERANCES UNLESS
OTHERWISE SPECIFIED:

一般公差	± 0.4
0 PLC	± 0.5
1 PLC	± 0.1
2 PLC	± 0.01
3 PLC	± 0.005
4 PLC	±
ANGLES	± 3°

MATERIAL

SEE NOTE

FINISH

SEE TABLE

DWN Y. OKADA 11 APR 2016

CHK E. TAKEMASA 13 APR 2016

APVD N. YAMASAKI 13 APR 2016

PRODUCT SPEC
製品規格
108-5349

APPLICATION SPEC

取付適用規格

WEIGHT

-

CUSTOMER DRAWING

TE Connectivity

NAME

名称
HEADER HOUSING, 4 POSN,
DOUBLE ROW, HORIZONTAL,
DYNAMIC 3200M

SIZE

A3

CAGE CODE

300779

DRAWING NO

C=2299004

RESTRICTED TO

-

SCALE

尺度 2:1

SHEET

2 OF 2

REV

A

1470-19 (3/13)

X-ON Electronics

Largest Supplier of Electrical and Electronic Components

Click to view similar products for [Headers & Wire Housings](#) category:

Click to view products by [TE Connectivity](#) manufacturer:

Other Similar products are found below :

[892-18-020-10-001101](#) [58102-G61-06LF](#) [582553-1](#) [0009485154](#) [009176003701906](#) [0050291907](#) [LY20-4P-DT1-P1E-BR](#) [02.125.8002.8](#)
[609-3404](#) [61062-3](#) [61082-181009](#) [622-3653LF](#) [63453-116](#) [636-1030](#) [636-1427](#) [636-3427](#) [636-4007](#) [641938-9](#) [641991-4](#) [644827-2](#) [65817-](#)
[010LF](#) [65817-015LF](#) [65863-015LF](#) [66207-023LF](#) [67095-007LF](#) [67601157](#) [68645-018](#) [68648-049](#) [70.362.1628.0](#) [70-4210](#) [70-4226B](#) [70-](#)
[4853B](#) [707-5020](#) [707-5028](#) [71.350.2428.0](#) [71918-208LF](#) [71961-016LF](#) [733-134](#) [733-162](#) [754199-000](#) [760-3052](#) [787-8014-00](#) [79531-3000](#)
[FCN-360C032-B](#) [FCN-367T-T012/H](#) [FCN-723D010/2](#) [80.063.4001.1](#) [800-90-001-10-001000](#) [800-90-010-10-002000](#) [801-43-002-10-013000](#)