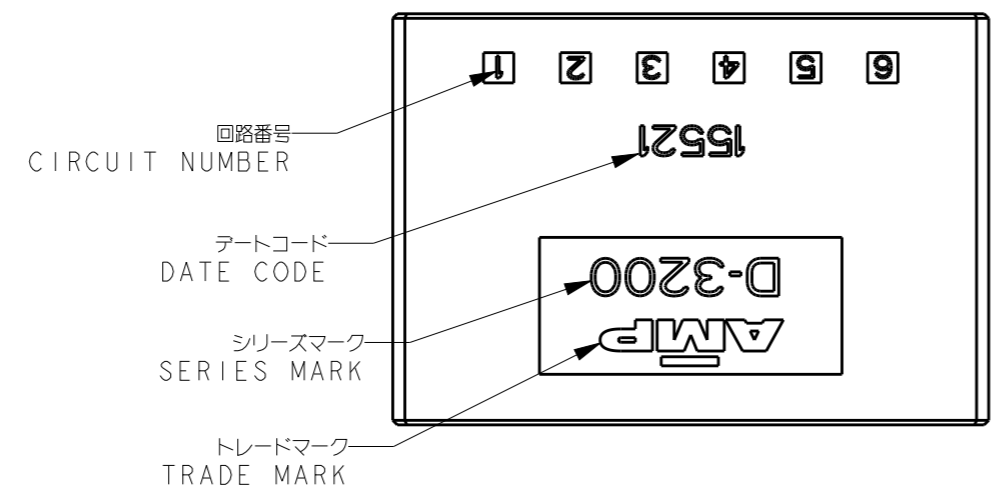


THIS DRAWING IS UNPUBLISHED. RELEASED FOR PUBLICATION 20  
 © COPYRIGHT 20 BY - ALL RIGHTS RESERVED.

REVISIONS				
P	LTR	DESCRIPTION	DATE	APVD
	A	RELEASED	05SEP2016	Y.O
	AI	ADD NEW PART NUMBER. ECR-17-004498	27MAR2017	Y.O

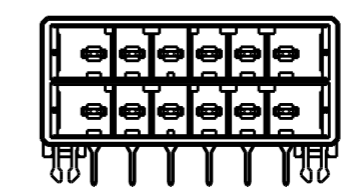
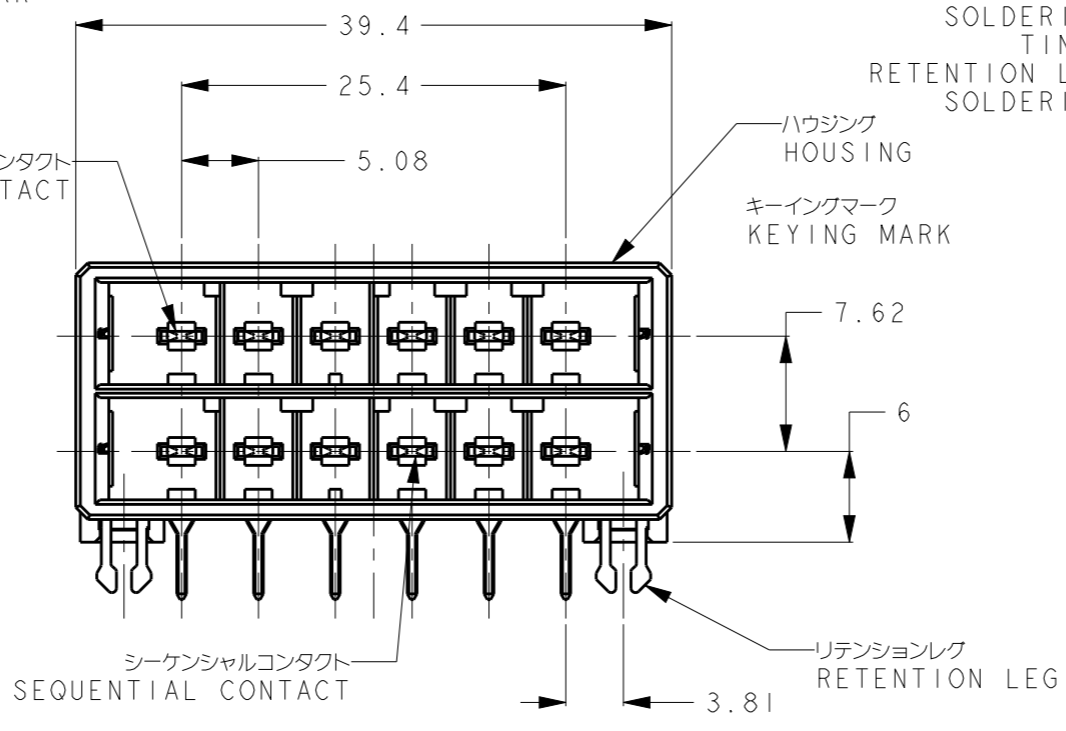
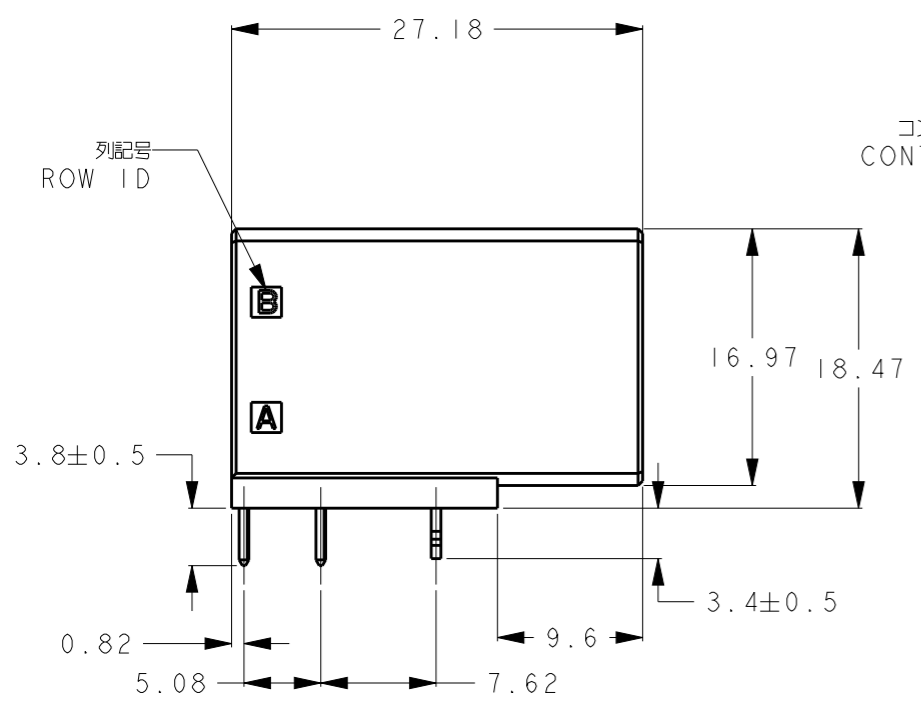


1. MATERIAL  
 HOUSING: THERMO PLASTIC POLYESTER  
 COLOR: BLACK  
 CONTACT: COPPER ALLOY  
 RETENTION LEG: COPPER ALLOY

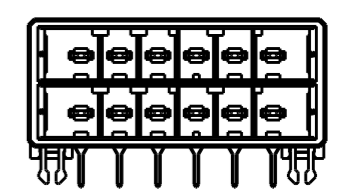
2. FINISH  
 CONTACT: Ni UNDER-PLATING ALLOVER  
 CONTACT AREA: GOLD PLATING OVER Ni PLATING  
 0.38um MIN  
 SOLDERING AREA (CONTACT TAIL): TIN PLATING  
 RETENTION LEG: Ni UNDER-PLATING ALLOVER  
 SOLDERING AREA: TIN PLATING

1. 材料  
 ハウジング: 熱可塑性ポリエステル 色: 黒色  
 コンタクト: 銅合金  
 リテンションレグ: 銅合金

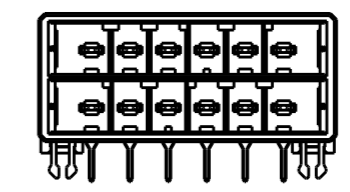
2. 仕上げ  
 コンタクト: 全面Ni下地  
 接点部: 0.38um MIN金めっき  
 半田付け部: 錫めっき  
 リテンションレグ: 全面Ni下地  
 半田付け部: 錫めっき



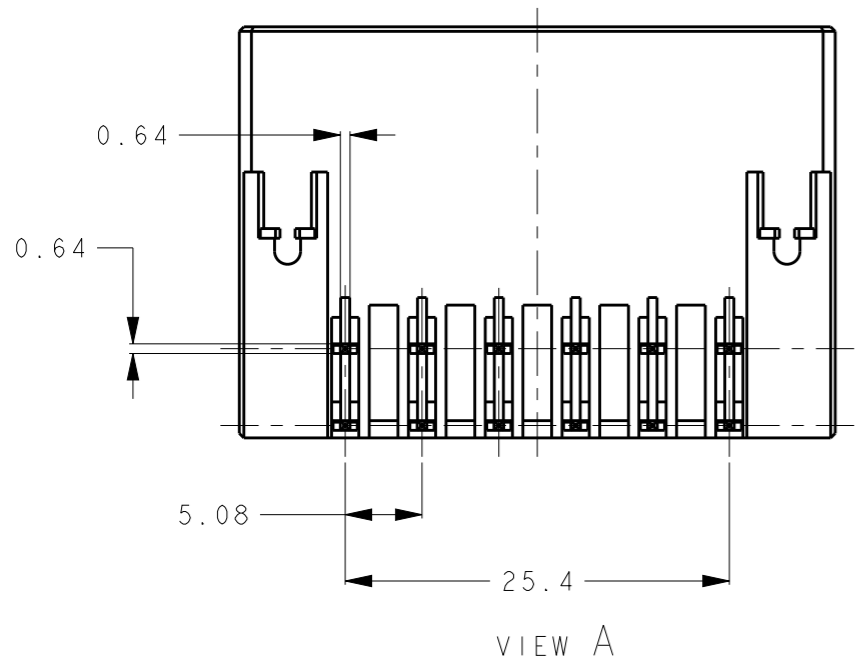
スケール 1:1  
 SCALE 1:1  
 RR-KEYING  
 1-2299005-1



スケール 1:1  
 SCALE 1:1  
 SS-KEYING  
 2-2299005-1



スケール 1:1  
 SCALE 1:1  
 RS-KEYING  
 3-2299005-1



A	4	2	RS	3-2299005-1
A	4	2	SS	2-2299005-1
A	4	2	RR	1-2299005-1
列記号 ROW ID	回路番号 CIRCUIT NUMBER	仕上げ FINISH	キーイング KEYING	型番 PART NUMBER
シーケンシャルコンタクト位置 POSITION OF SEQUENTIAL CONTACT				

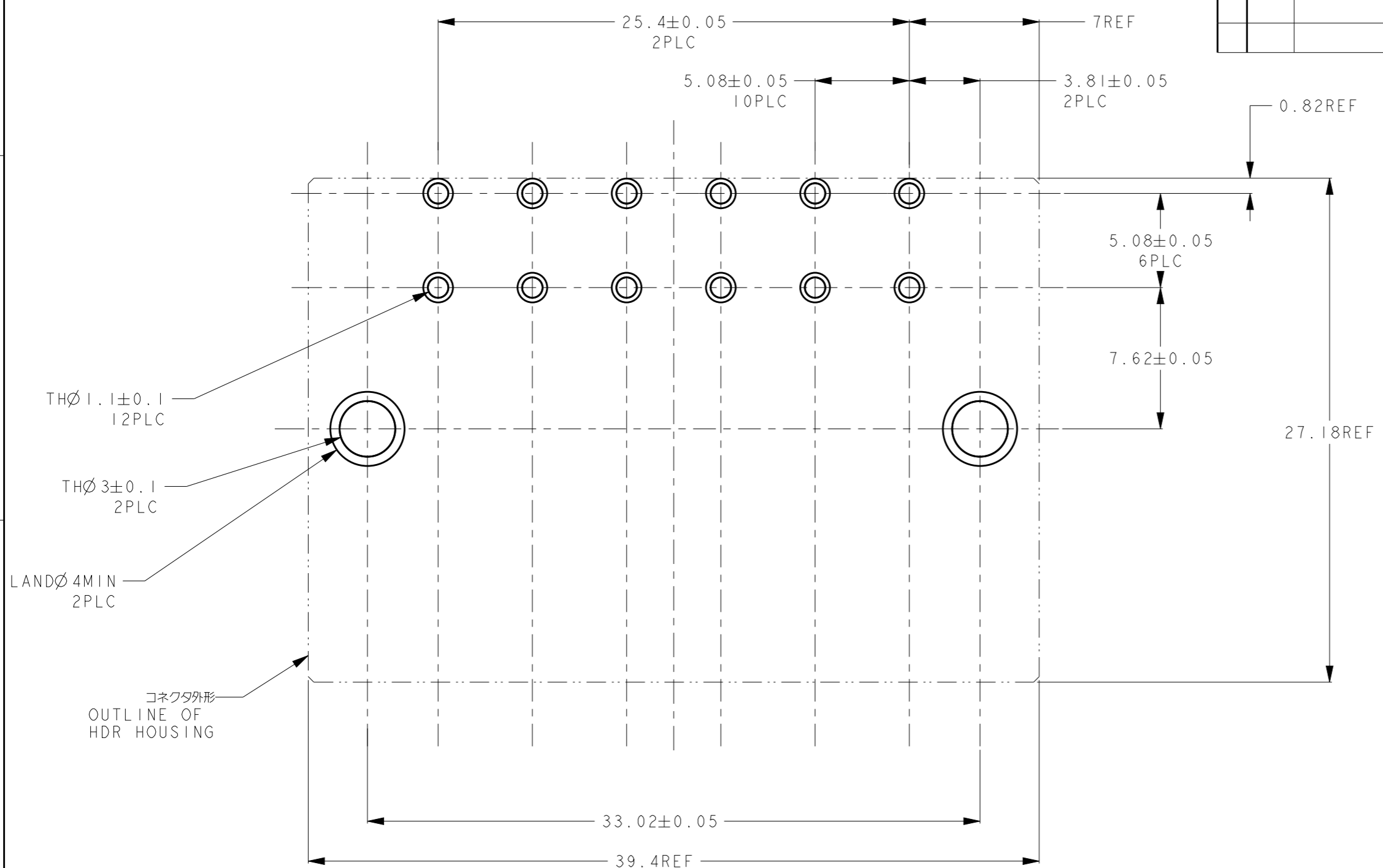
THIS DRAWING IS A CONTROLLED DOCUMENT.

DWN Y. OKADA 12APR2016	TE Connectivity NAME HEADER HOUSING, 12POSN, DOUBLE ROW, HORIZONTAL, DYNAMIC 3200M			
CHK E. TAKEMASA 13APR2016				
APVD N. YAMASAKI 13APR2016				
製品規格 108-5349				
APPLICATION SPEC 取付適用規格	SIZE A3	CAGE CODE -	DRAWING NO C-2299005	RESTRICTED TO -
DIMENSIONS: 単位: 概 mm	TOLERANCES UNLESS OTHERWISE SPECIFIED: 一般公差 ±0.4 0-PLC ±0.5 1-PLC ±0.1 2-PLC ±0.01 3-PLC ±0.005 4-PLC ± ANGLES ±3°	WEIGHT -	SCALE 尺度 2:1	SHEET 1 OF 2
MATERIAL 材料 SEE NOTE	FINISH 仕上 SEE TABLE	CUSTOMER DRAWING	REV AI	

THIS DRAWING IS UNPUBLISHED. RELEASED FOR PUBLICATION 20  
 © COPYRIGHT 20 BY - ALL RIGHTS RESERVED.

REVISIONS  
変更

P	LTR	DESCRIPTION	DATE	DWN	APVD
-	-	SEE SHEET 1	-	-	-




THØ 1.1±0.1  
12PLC

THØ 3±0.1  
2PLC

LANDØ 4MIN  
2PLC

コネクタ外形  
OUTLINE OF  
HDR HOUSING

推奨基板レイアウト 板厚: 1.6±0.1  
 RECOMENDED PCB LAYOUT  
 THICKNESS: 1.6±0.1

THIS DRAWING IS A CONTROLLED DOCUMENT.		DWN Y. OKADA 12APR2016	 TE Connectivity													
DIMENSIONS: 単位: 概 mm		CHK E. TAKEMASA 13APR2016														
TOLERANCES UNLESS OTHERWISE SPECIFIED: 一般公差 ±0.4		APVD N. YAMASAKI 13APR2016	NAME 名称 HEADER HOUSING, 12POSN, DOUBLE ROW, HORIZONTAL, DYNAMIC 3200M													
<table border="1"> <tr><td>0 PLC</td><td>±0.5</td></tr> <tr><td>1 PLC</td><td>±0.1</td></tr> <tr><td>2 PLC</td><td>±0.01</td></tr> <tr><td>3 PLC</td><td>±0.005</td></tr> <tr><td>4 PLC</td><td>±</td></tr> <tr><td>ANGLES</td><td>±3°</td></tr> </table>		0 PLC	±0.5	1 PLC	±0.1	2 PLC	±0.01	3 PLC	±0.005	4 PLC	±	ANGLES	±3°	PRODUCT SPEC 製品規格 108-5349	SIZE A3	
0 PLC	±0.5															
1 PLC	±0.1															
2 PLC	±0.01															
3 PLC	±0.005															
4 PLC	±															
ANGLES	±3°															
MATERIAL 材料 SEE NOTE		APPLICATION SPEC 取付適用規格 -	CAGE CODE -	DRAWING NO 番号 C=2299005												
FINISH 仕上 SEE TABLE		WEIGHT -	RESTRICTED TO -	SCALE 尺度 2:1												
		CUSTOMER DRAWING	SHEET 2 OF 2	REV A1												

## X-ON Electronics

Largest Supplier of Electrical and Electronic Components

*Click to view similar products for [Headers & Wire Housings](#) category:*

*Click to view products by [TE Connectivity](#) manufacturer:*

Other Similar products are found below :

[892-18-020-10-001101](#) [58102-G61-06LF](#) [582553-1](#) [0009485154](#) [009176003701906](#) [0050291907](#) [LY20-4P-DT1-P1E-BR](#) [02.125.8002.8](#)  
[609-3404](#) [61062-3](#) [61082-181009](#) [622-3653LF](#) [63453-116](#) [636-1030](#) [636-1427](#) [636-3427](#) [636-4007](#) [641938-9](#) [641991-4](#) [644827-2](#) [65817-010LF](#) [65817-015LF](#) [65863-015LF](#) [66207-023LF](#) [67095-007LF](#) [67601157](#) [68645-018](#) [68648-049](#) [70.362.1628.0](#) [70-4210](#) [70-4226B](#) [70-4853B](#) [707-5020](#) [707-5028](#) [71.350.2428.0](#) [71918-208LF](#) [71961-016LF](#) [733-134](#) [733-162](#) [754199-000](#) [760-3052](#) [787-8014-00](#) [79531-3000](#)  
[FCN-360C032-B](#) [FCN-367T-T012/H](#) [FCN-723D010/2](#) [80.063.4001.1](#) [800-90-001-10-001000](#) [800-90-010-10-002000](#) [801-43-002-10-013000](#)