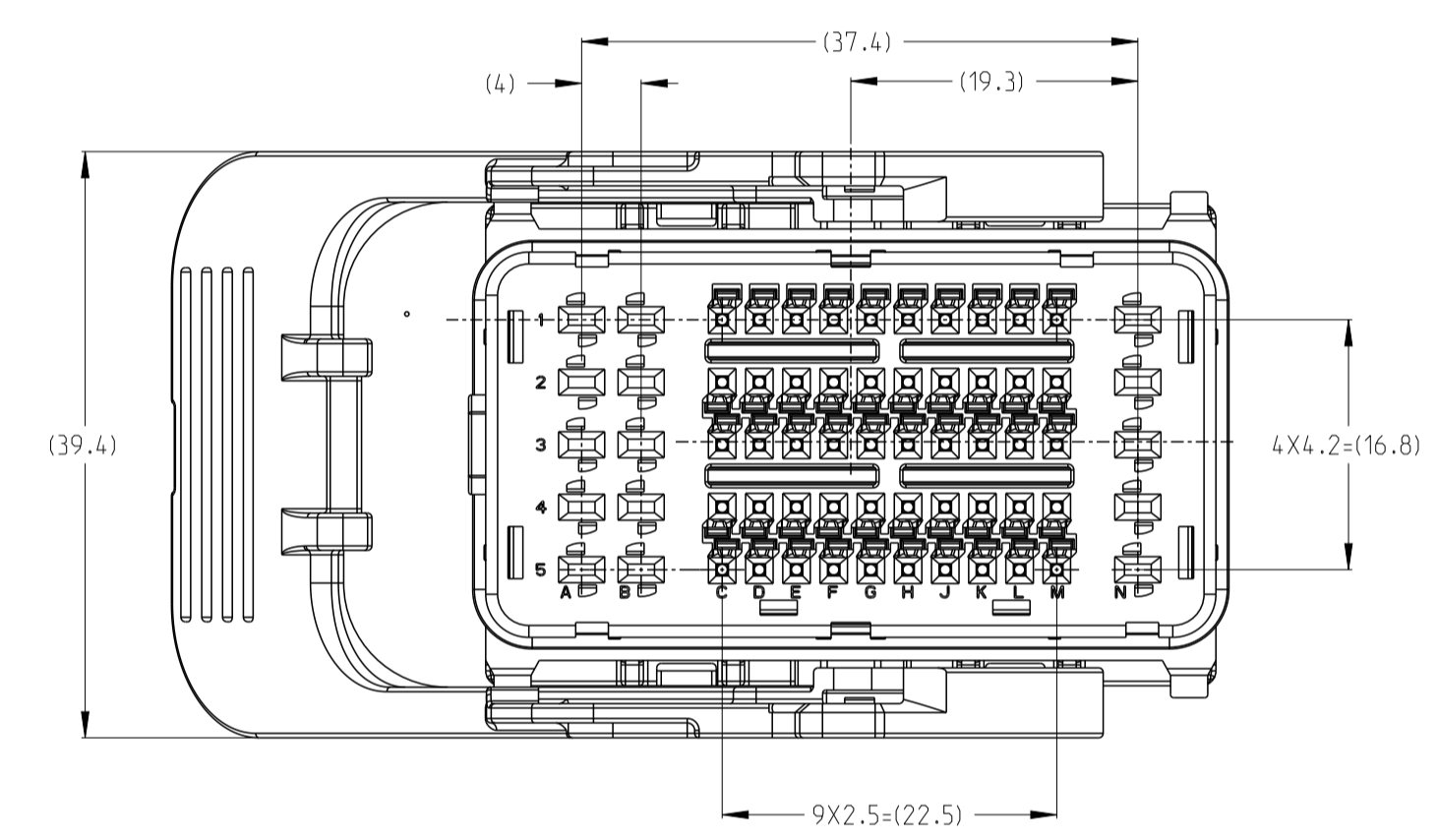
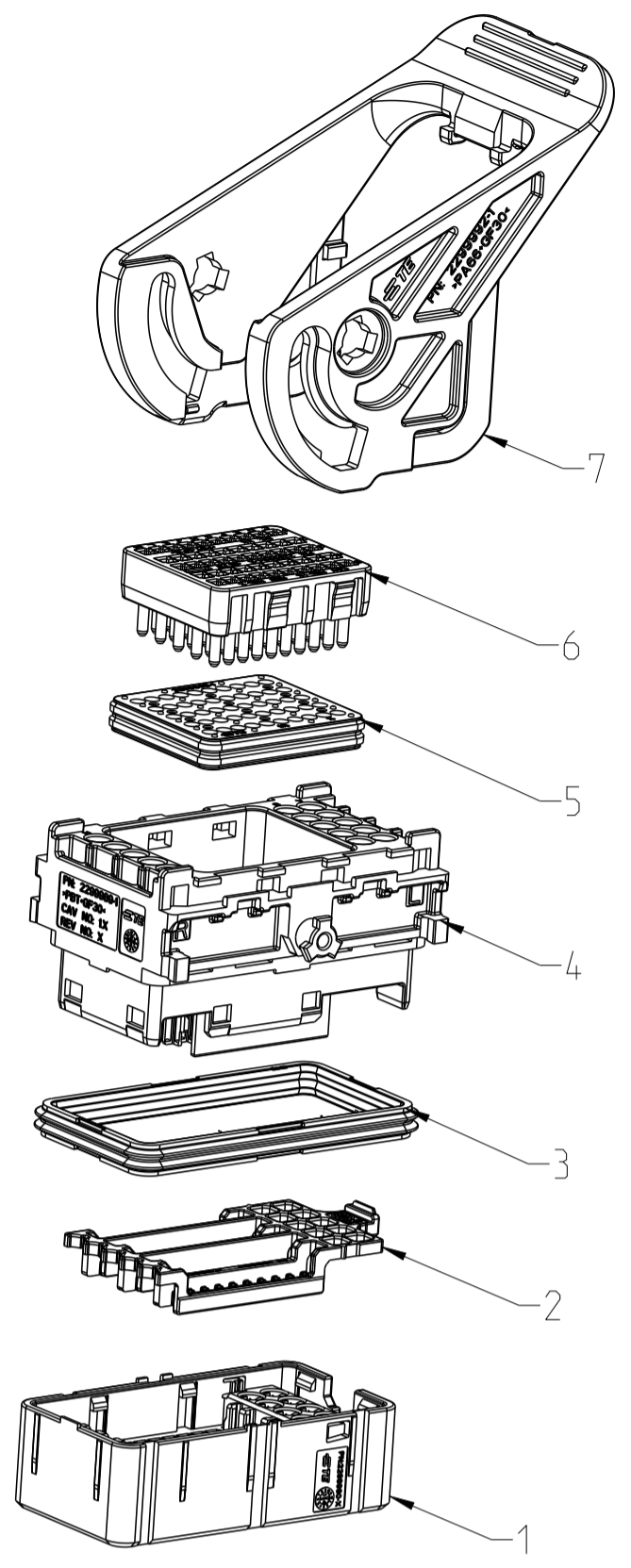
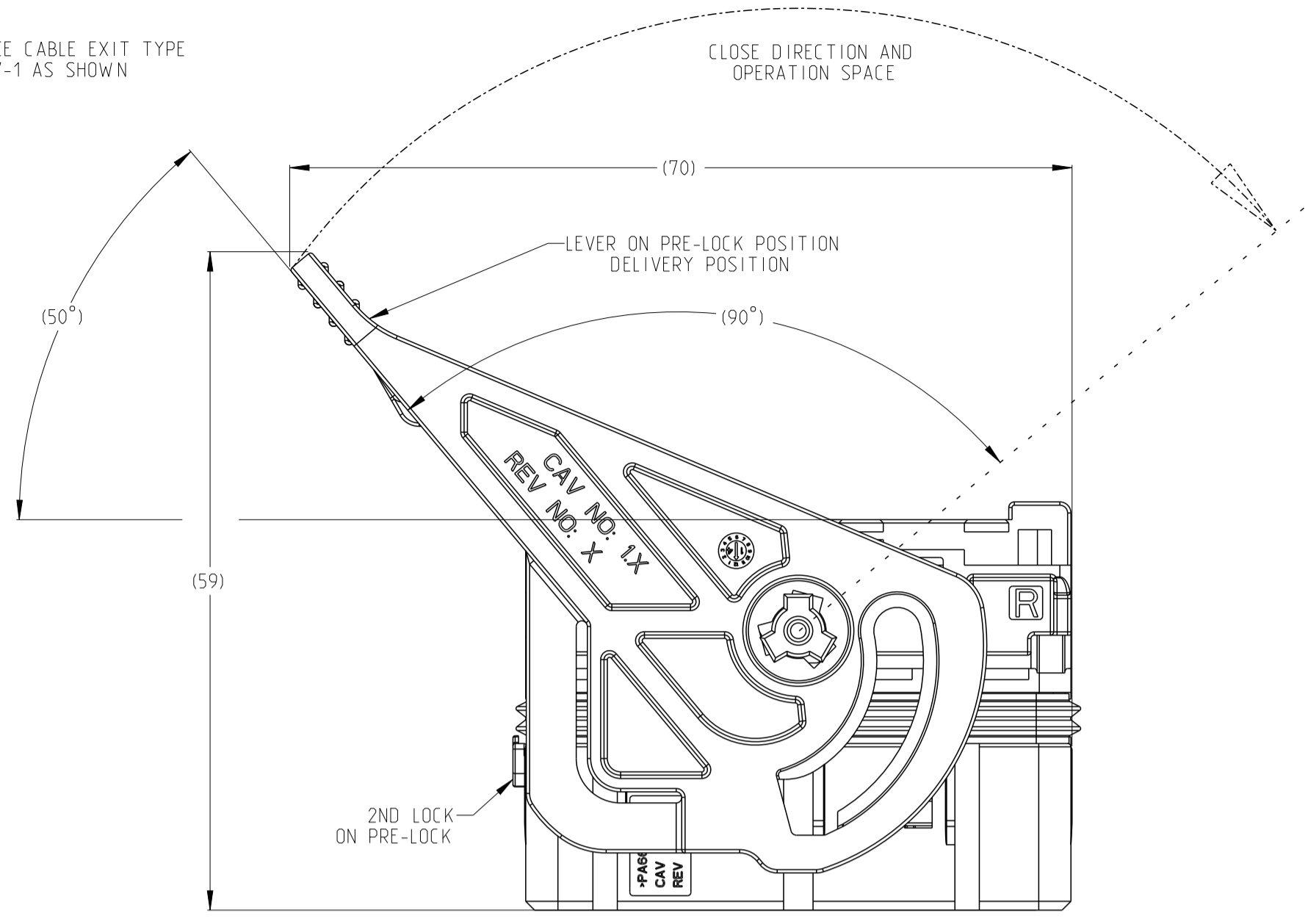
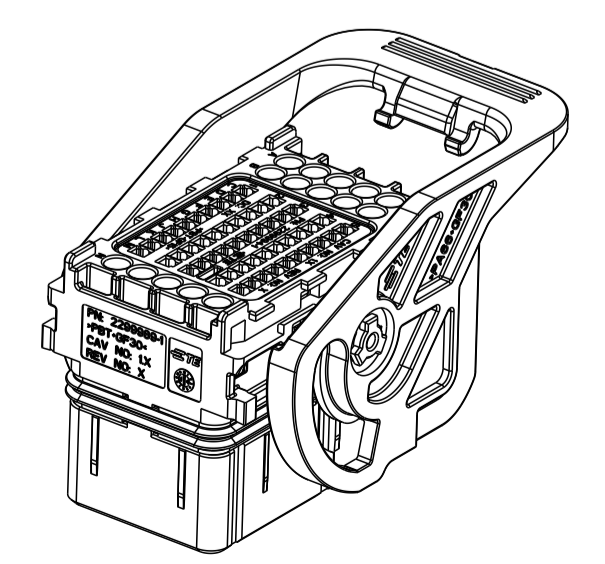
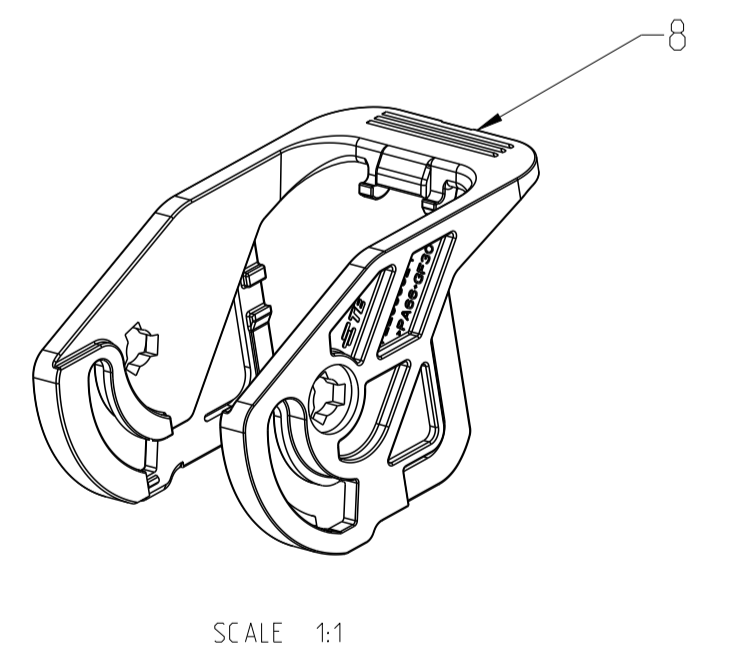
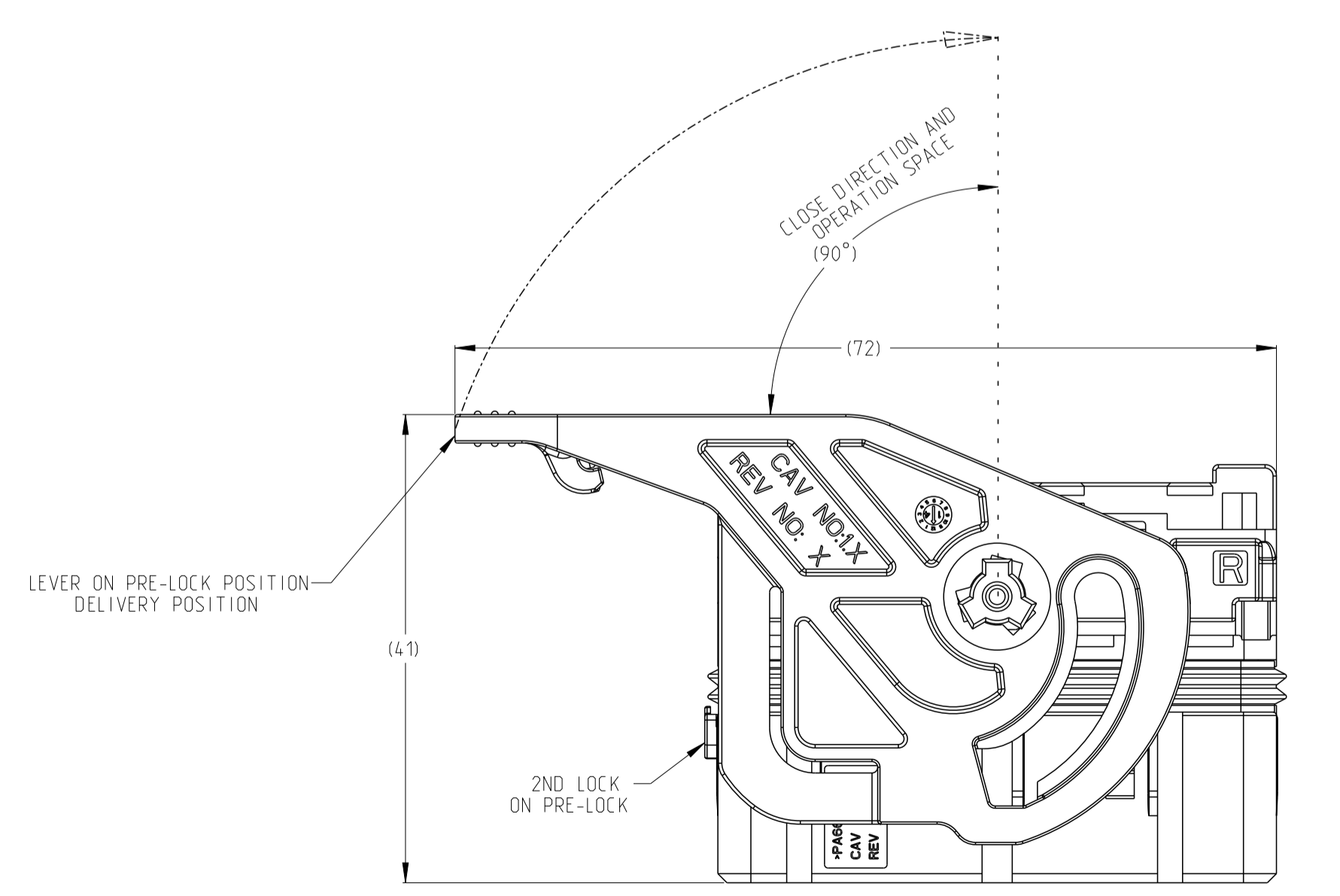


180 DEGREE CABLE EXIT TYPE  
0-2299987-1 AS SHOWN



45 DEGREE CABLE EXIT TYPE  
1-2299987-1 AS SHOWN



THE OTHER DEFINITION SAME WITH 0-2299987-X

NOTES:

- LEVER AND 2ND LOCK MUST IN PRE-LOCK POSITION ON DELIVERY.
- SEALING FUNCTION REQUIRES ONLY FOLLOWING SIZE DIAMETERS IN TERMINAL INFORMATION TABLE.
- MATING INTERFACE REFER TO TE DRAWING C-114-101045. HEADER: 2300600.
- 180 DEGREE CABLE EXIT SUITABLE MATED COVER ASSEMBLY TE PN: 0-2299988-X. 45 DEGREE CABLE EXIT SUITABLE MATED COVER ASSEMBLY TE PN: 1-2299988-X. COVER ASSEMBLY PARTS NEED BE ORDERED SEPARATE.
- THE DIFFERENCE BETWEEN 45 DEGREE AND 180 DEGREE TYPE IS LEVER PARTS.
- SUITABLE TERMINAL SYSTEM SEE TABLE

TERMINAL INFORMATION TABLE						
TERMINAL INFORMATION	TE P/N	FINISH	WIRE SIZE (MM2)	WIRE SIZE DIAMETER	SWS	BLIND PLUG
MDS 064 CLEAN BODY	968221-1	PRE-TIN	0.5-0.75	Ø1.4-Ø1.9	N/A	1394871-1
MCP 1.5K SW S (0.6MM TAB)	1241380-1	PRE-TIN	0.5-1.0	Ø1.4-Ø1.9	963530-1	1394132-1
	1418884-1	PRE-TIN	1.0-1.5	Ø1.9-Ø2.1 Ø2.2-Ø2.4	964972-1 964972-1	

REVISIONS					
P	LTR	DESCRIPTION	DATE	DWN	APVD
A9		ECR-21-004242	12APR2021	J.L	J.Z
A10		ECR-21-006524	23JUN2021	J.L	J.Z
A11		ECN-21-114784	26AUG2021	J.L	J.Z
A12		ECN-22-165934	22JUL2022	J.H	J.Z

CABLE EXIT DIRECTION	CODING AND LEVER POSITION	MATERIAL	DESCRIPTION	COLOR	ITEM	CABLE EXIT DIRECTION								ITEM	
						45°	45°	45°	45°	45°	45°	45°	45°		45°
45° CABLE EXIT DIRECTION	CODING2 LEVER RIGHT	A12	3-2299987-4		1	1	1	1	1	1	1	1	1	1	1
			3-2299987-2		1	1	1	1	1	1	1	1	1	1	1
			1-2299987-4		1	1	1	1	1	1	1	1	1	1	1
	CODING1 LEVER RIGHT	A12	3-2299987-5	1	1	1	1	1	1	1	1	1	1	1	1
			3-2299987-0	1	1	1	1	1	1	1	1	1	1	1	1
			1-2299987-3	1	1	1	1	1	1	1	1	1	1	1	1
	CODING 2 LEVER LEFT	A12	4-2299987-2	1	1	1	1	1	1	1	1	1	1	1	1
			3-2299987-3	1	1	1	1	1	1	1	1	1	1	1	1
			2-2299987-9	1	1	1	1	1	1	1	1	1	1	1	1
	CODING 1 LEVER LEFT	A12	2-2299987-3	1	1	1	1	1	1	1	1	1	1	1	1
			1-2299987-2	1	1	1	1	1	1	1	1	1	1	1	1
			3-2299987-8	1	1	1	1	1	1	1	1	1	1	1	1
180° CABLE EXIT DIRECTION	CODING2 LEVER RIGHT	A12	4-2299987-5	1	1	1	1	1	1	1	1	1	1	1	
			3-2299987-9	1	1	1	1	1	1	1	1	1	1	1	
			2-2299987-7	1	1	1	1	1	1	1	1	1	1	1	
	CODING1 LEVER RIGHT	A12	2-2299987-6	1	1	1	1	1	1	1	1	1	1	1	
			2-2299987-2	1	1	1	1	1	1	1	1	1	1	1	
			2-2299987-1	1	1	1	1	1	1	1	1	1	1	1	
	CODING 2 LEVER LEFT	A12	0-2299987-4	1	1	1	1	1	1	1	1	1	1	1	
			4-2299987-4	1	1	1	1	1	1	1	1	1	1	1	
			4-2299987-3	1	1	1	1	1	1	1	1	1	1	1	
	CODING 1 LEVER LEFT	A12	4-2299987-1	1	1	1	1	1	1	1	1	1	1	1	
			3-2299987-1	1	1	1	1	1	1	1	1	1	1	1	
			2-2299987-5	1	1	1	1	1	1	1	1	1	1	1	
CABLE EXIT DIRECTION	CODING AND LEVER POSITION	A12	2-2299987-4	1	1	1	1	1	1	1	1	1	1	1	
			0-2299987-3	1	1	1	1	1	1	1	1	1	1	1	
			0-2299987-2	1	1	1	1	1	1	1	1	1	1	1	
CABLE EXIT DIRECTION	CODING AND LEVER POSITION	A12	0-2299987-1	1	1	1	1	1	1	1	1	1	1	1	
			MATERIAL	PA66-GF35	PA66-GF35	PA66-GF30	SILICONE	PBT-GF30	SILICONE	PBT-GF15	PA66-GF30	PA66-GF30	PA66-GF30	PA66-GF30	
			DESCRIPTION	FRONT COVER CODING 1	FRONT COVER CODING 2	2ND LOCK	INTERFACE SEAL	BASE HOUSING	FAMILY SEAL	SEAL COVER	LEVER ON LEFT SIDE 180° CABLE EXIT	LEVER ON RIGHT SIDE 180° CABLE EXIT	LEVER ON LEFT SIDE 45° CABLE EXIT	LEVER ON RIGHT SIDE 45° CABLE EXIT	
CABLE EXIT DIRECTION	CODING AND LEVER POSITION	A12	COLOR	BLACK	GARY	RED	ORANGE	BLACK	LIGHT BLUE	BLACK	BLACK	BLACK	BLACK		
			ITEM	1	2	3	4	5	6	7	8				

THIS DRAWING IS A CONTROLLED DOCUMENT. DIMENSIONS: mm. TOLERANCES UNLESS OTHERWISE SPECIFIED: 0 PLC ±0.2, 1 PLC ±0.1, 2 PLC ±0.1, 3 PLC ±, 4 PLC ±, ANGLES ±. MATERIAL: -. FINISH: -. THIS DRAWING IS A CONTROLLED DOCUMENT. DWN: R.TANG, 27/MAR/2017. CHK: SY.WANG, 02NOV2016. APVD: LYJIN, 02NOV2016. NAME: 65W ECU PLUG HOUSING ASSEMBLY 50X MQS 064 AND 15X MCP 1.5K. SIZE: 114-101049. WEIGHT: -. CUSTOMER DRAWING. SCALE: 2:1. SHEET: 1 OF 2. REV: A12.



## X-ON Electronics

Largest Supplier of Electrical and Electronic Components

*Click to view similar products for [Automotive Connectors](#) category:*

*Click to view products by [TE Connectivity](#) manufacturer:*

Other Similar products are found below :

[003-018-000](#) [60993906-B](#) [72.330.1035.1](#) [F358300-B](#) [F407400](#) [776880-1](#) [827153-1](#) [8N1515-32-24P](#) [9-1326729-8](#) [925474-1](#) [928905-1](#)  
[964562-4](#) [968782-1](#) [98891-1012](#) [12004475-L](#) [12041318-B](#) [12052466](#) [12015909](#) [1-21030-1](#) [12041318](#) [12047957](#) [12185550](#) [12336-12](#)  
[12147304](#) [1-326211-1](#) [13681974](#) [13783086](#) [13832576](#) [13542772](#) [13675513](#) [1428188-1](#) [1437287-3](#) [1428188-2](#) [DS07-19S-5020](#) [1456983-5](#)  
[1456987-7](#) [APD-7CP-H](#) [APK-SB25A10L](#) [1452931-2](#) [15336198](#) [15491972](#) [15305306](#) [15396680](#) [15425613](#) [15518544](#) [15522351](#) [1719636-1](#)  
[172190-2](#) [172190-5](#) [192900-0402](#)