

THIS DRAWING IS UNPUBLISHED.

RELEASED FOR PUBLICATION

20

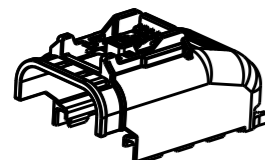
© COPYRIGHT 20 BY -

ALL RIGHTS RESERVED.

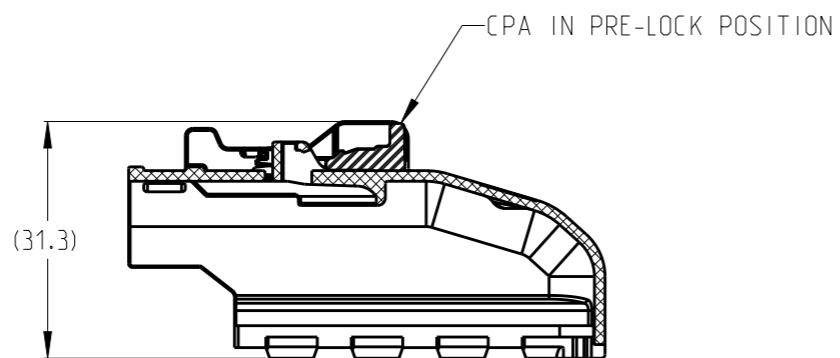
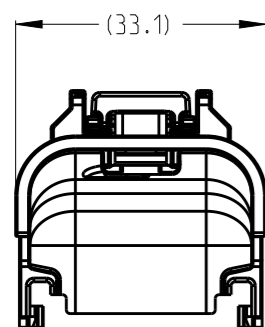
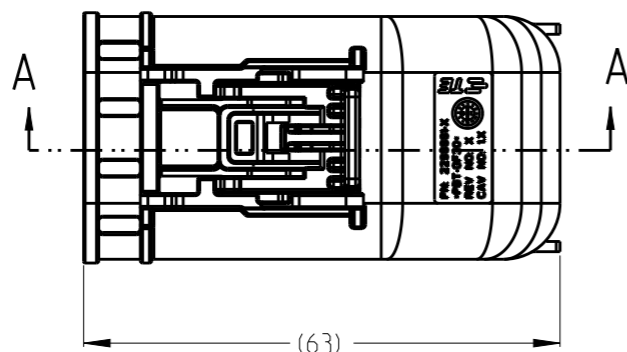
REVISIONS

P	LTR	DESCRIPTION	DATE	DWN	APVD
	A	FIRST RELEASE	02NOV2016	R.T	I.Y
	B	ECR-17-005216	14APR2017	R.T	I.Y

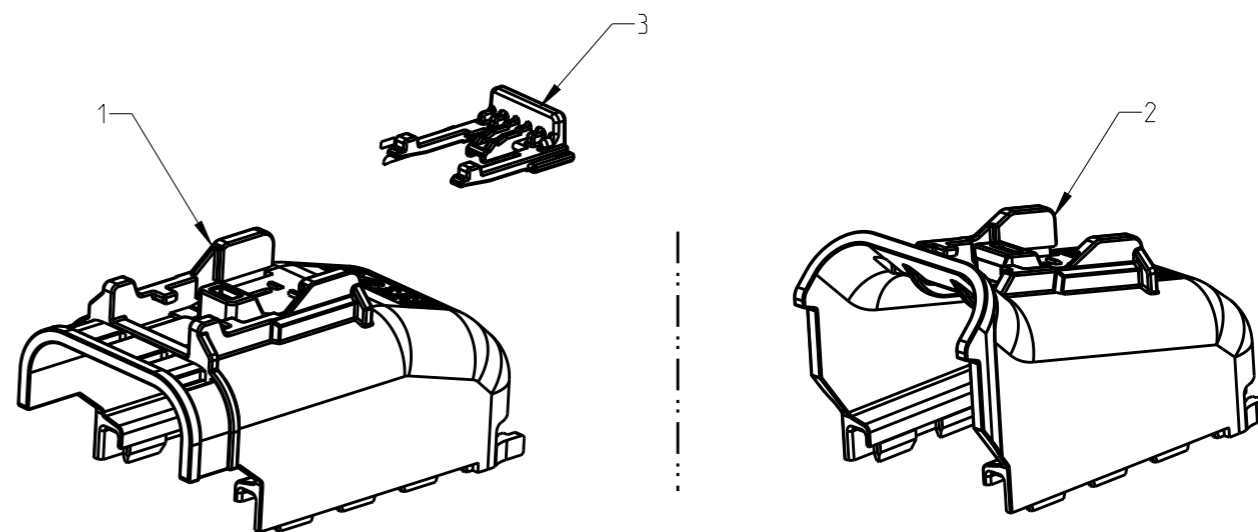
0-2299988-X AS SHOWN



SCALE 1:2



SECTION A-A

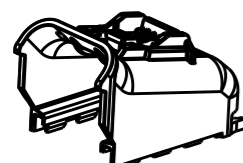


EXPLODED VIEW

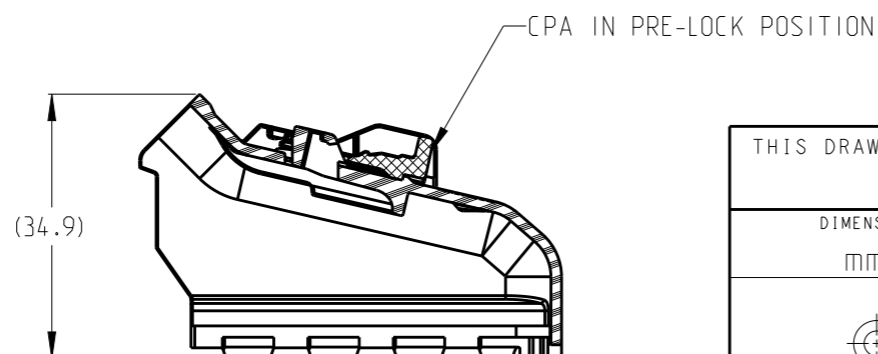
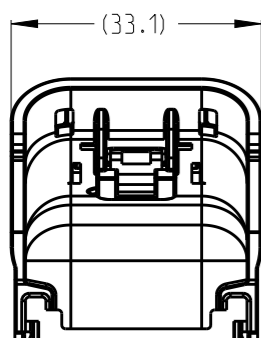
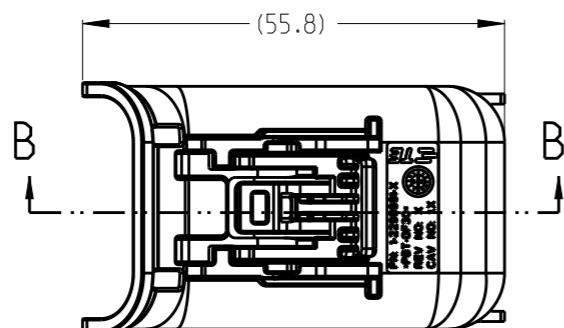
NOTES:

- CPA MUST IN PRE-LOCK POSITION ON DELIVERY.
- PN 0-2299988-X SUITABLE HOUSING ASSEMBLY TE PN: 0-2299987-X.
PN 1-2299988-X SUITABLE HOUSING ASSEMBLY TE PN: 1-2299987-X.
HOUSING ASSEMBLY PARTS NEED BE ORDERED SEPARATE.

1-2299988-X AS SHOWN



SCALE 1:2



SECTION B-B

QTY	QTY	QTY	QTY	MATERIAL	DESCRIPTION	COLOR	ITEM
1	1	1	1	PA66+GF35	CPA	RED	3
1				PBT+GF30	COVER	GRAY	2
	1			PBT+GF30	COVER	BLACK	2
		1		PBT+GF30	COVER	GRAY	1
			1	PBT+GF30	COVER	BLACK	1
1-2299988-2	1-2299988-1	0-2299988-2	0-2299988-1	MATERIAL	DESCRIPTION	COLOR	ITEM
45 DEGREE CABLE EXIT		180 DEGREE CABLE EXIT		CABLE EXIT DIRECTION TYPE			

THIS DRAWING IS A CONTROLLED DOCUMENT.

DIMENSIONS:	TOLERANCES UNLESS OTHERWISE SPECIFIED:
mm	
	0 PLC ±
	1 PLC ±
	2 PLC ±
	3 PLC ±
	4 PLC ±
	ANGLES ±
MATERIAL	FINISH
-	-
-	-

DWN	R.TANG	02NOV2016
CHK	SY.WANG	02NOV2016
APVD	L.YIN	02NOV2016
PRODUCT SPEC	108-101460	
APPLICATION SPEC	114-101049	
WEIGHT	-	
CUSTOMER DRAWING		

TE Connectivity			
NAME 65W PLUG COVER AND CPA ASSMBLY			
SIZE	CAGE CODE	DRAWING NO	RESTRICTED TO
A3	00779	©-2299988	-
SCALE 1:1		SHEET 1 OF 1	REV B

X-ON Electronics

Largest Supplier of Electrical and Electronic Components

Click to view similar products for [Headers & Wire Housings](#) category:

Click to view products by [TE Connectivity](#) manufacturer:

Other Similar products are found below :

[0015917161](#) [0022155065](#) [57102-F02-18ULF](#) [58102-G61-06LF](#) [582553-1](#) [01.001.5753.1](#) [0050291907](#) [02.125.8002.8](#) [609-3404](#) [61062-3](#)
[CSU011177004](#) [622-0430](#) [622-3653LF](#) [63453-116](#) [636-1030](#) [636-1427](#) [636-3427](#) [636-4007](#) [641938-9](#) [65495-038](#) [65692-001LF](#) [65781-018](#)
[65781-047](#) [65817-010LF](#) [65817-015LF](#) [67095-007LF](#) [67601157](#) [68631-112](#) [68645-018](#) [699319-000](#) [70.362.1628.0](#) [70-4210](#) [70-4226B](#) [70-](#)
[4853B](#) [71.350.2428.0](#) [733-134](#) [733-162](#) [760-3052](#) [MHR-64-VUAL](#) [80.063.4001.1](#) [800-90-001-10-001000](#) [801-43-002-10-013000](#)
[801-43-006-10-002000](#) [803-43-024-10-001000](#) [803-93-012-10-001000](#) [8-1437020-4](#) [819-22-004-30-001101](#) [820-22-006-30-001101](#)
[820-22-008-30-001101](#) [821-22-002-10-001101](#)