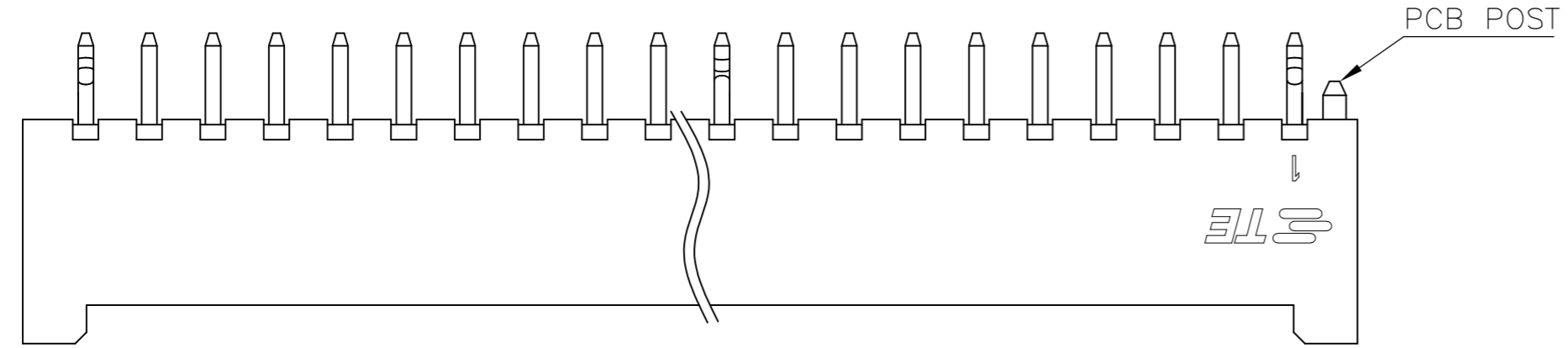
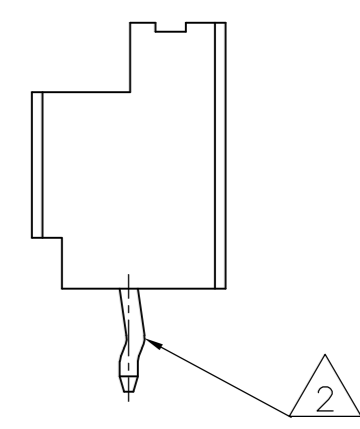
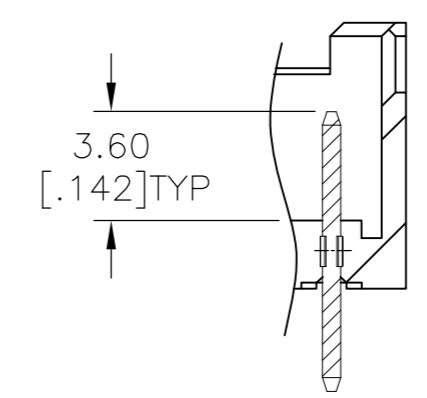
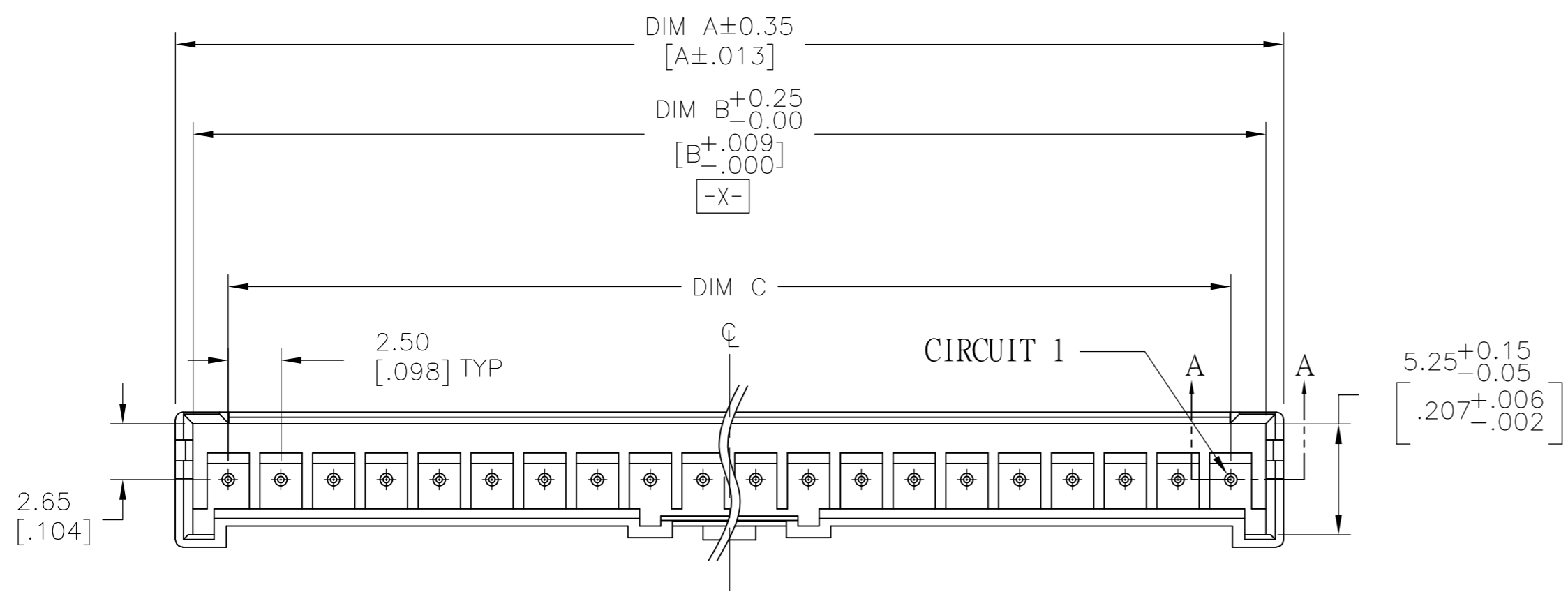


THIS DRAWING IS UNPUBLISHED. RELEASED FOR PUBLICATION
 © COPYRIGHT - By - ALL RIGHTS RESERVED.

REVISIONS				
P	LTR	DESCRIPTION	DATE	APVD
A1		REVISED PER ECR-16-015820	31OCT16	O.C D.Z

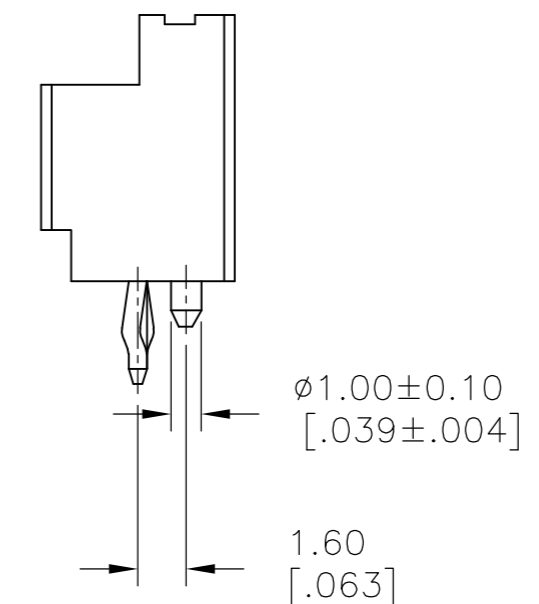
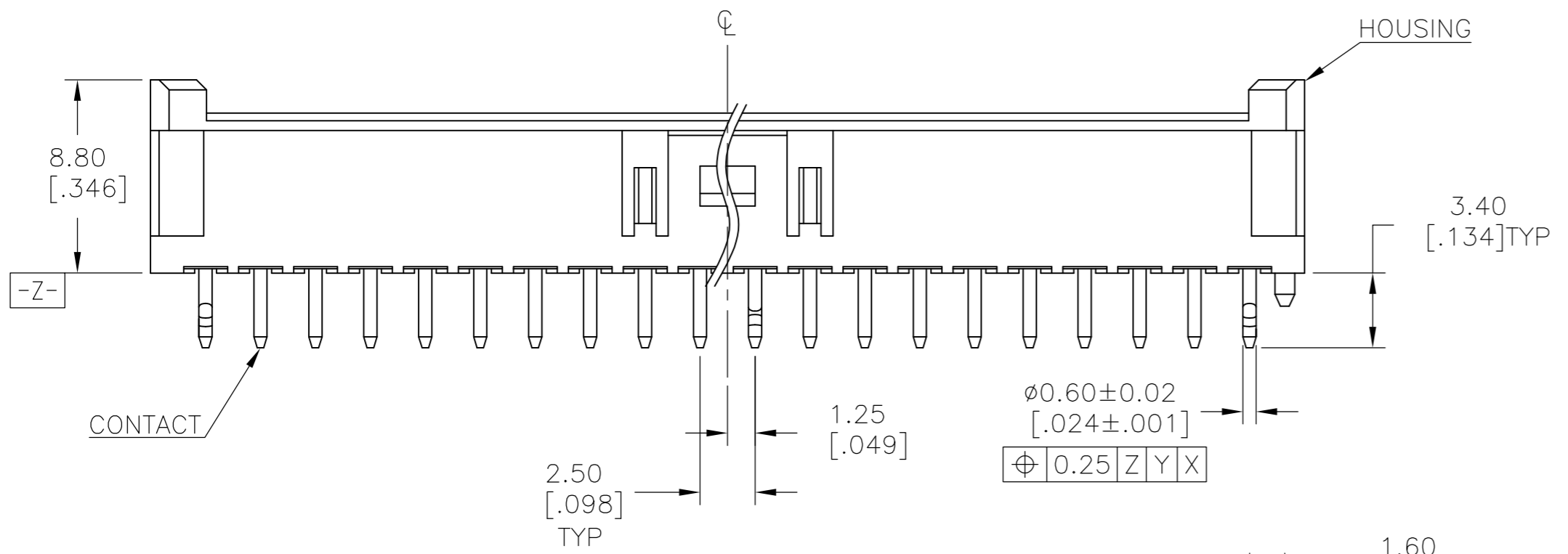


- 1 MATERIAL: HOUSING: THERMOPLASTIC, UL94 V0, TERMINAL: BRASS, NICKEL UNDER PLATING, Tin PLATING ON PIN AREA.
- 2 CONTACT SOLDER TAIL KINK DIRECTION (BOARLOCK) SEE BELOW TABLE.



SECTION A-A

MIDDLE

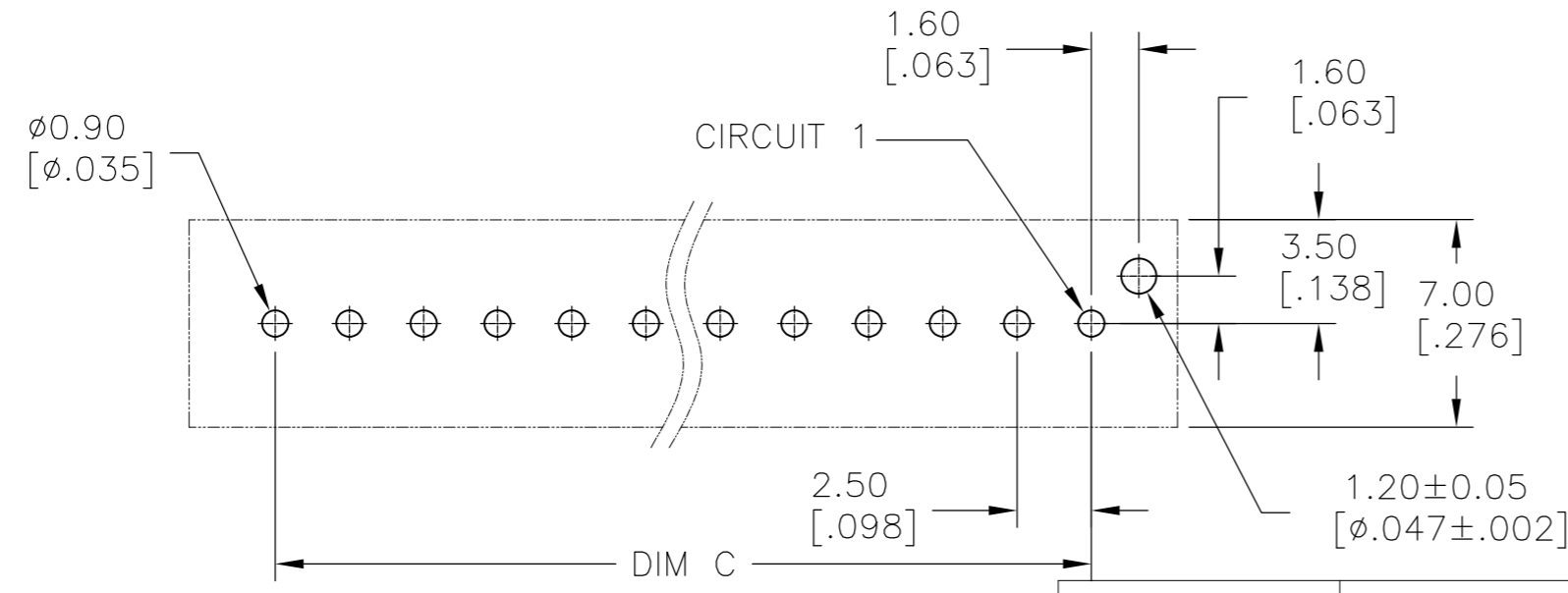
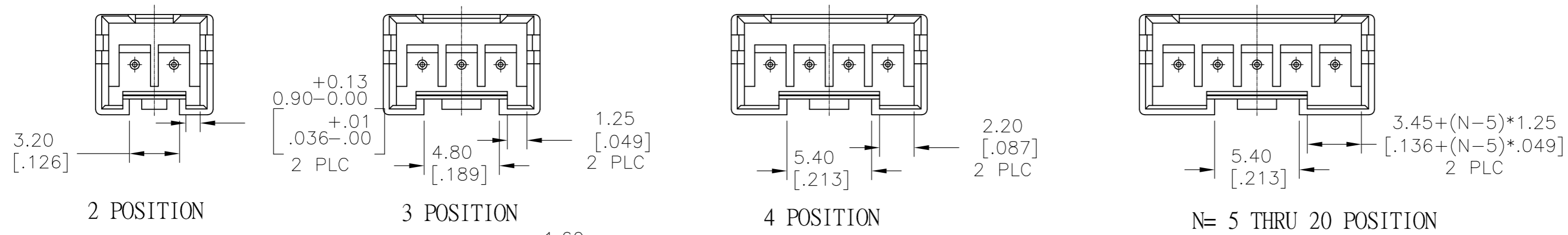


SIDE

THIS DRAWING IS A CONTROLLED DOCUMENT.		DWN OTTO CHEN 01FEB2016	TE Connectivity	
DIMENSIONS: mm [INCHES]		CHK DANIEL Z 03FEB2016		
TOLERANCES UNLESS OTHERWISE SPECIFIED:		APVD DANIEL Z 03FEB2016	NAME	
0 PLC ± -	1 PLC ± 0.30	PRODUCT SPEC	108-2418	
2 PLC ± 0.20	3 PLC ± -	APPLICATION SPEC	114-13315	
4 PLC ± -	ANGLES ± 3°	WEIGHT	0	
MATERIAL	FINISH	CUSTOMER DRAWING	SCALE	N/A
		SIZE	A2	CAGE CODE
		DRAWING NO	C=2300178	
		RESTRICTED TO	-	
		SHEET	1 of 2	
		REV	A1	

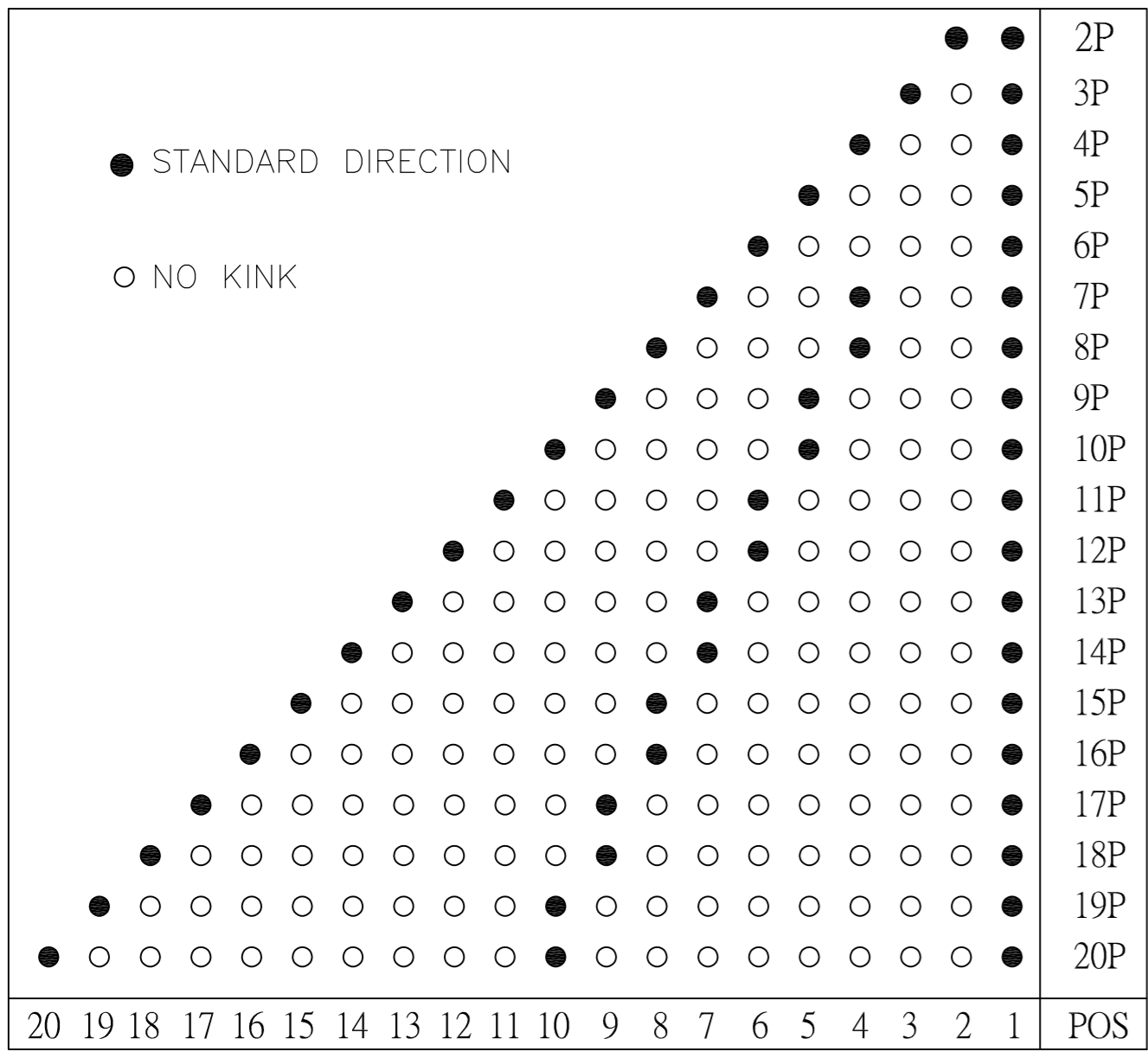
THIS DRAWING IS UNPUBLISHED. RELEASED FOR PUBLICATION
 © COPYRIGHT - By - ALL RIGHTS RESERVED.

REVISIONS				
P	LTR	DESCRIPTION	DATE	APVD
-	-	SEE SHEET 1	-	-



47.50 [1.870]	50.83 [2.001]	52.50 [2.067]	20	2-2300178-0	4-2300178-0	6-2300178-0	8-2300178-0	2300178-1
45.00 [1.772]	48.33 [1.903]	50.00 [1.968]	19	1-2300178-9	3-2300178-9	5-2300178-9	7-2300178-9	9-2300178-9
42.50 [1.673]	45.83 [1.804]	47.50 [1.870]	18	1-2300178-8	3-2300178-8	5-2300178-8	7-2300178-8	9-2300178-8
40.00 [1.575]	43.33 [1.706]	45.00 [1.772]	17	1-2300178-7	3-2300178-7	5-2300178-7	7-2300178-7	9-2300178-7
37.50 [1.476]	40.83 [1.607]	42.50 [1.673]	16	1-2300178-6	3-2300178-6	5-2300178-6	7-2300178-6	9-2300178-6
35.00 [1.378]	38.33 [1.510]	40.00 [1.575]	15	1-2300178-5	3-2300178-5	5-2300178-5	7-2300178-5	9-2300178-5
32.50 [1.280]	35.83 [1.411]	37.50 [1.476]	14	1-2300178-4	3-2300178-4	5-2300178-4	7-2300178-4	9-2300178-4
30.00 [1.181]	33.33 [3.12]	35.00 [1.378]	13	1-2300178-3	3-2300178-3	5-2300178-3	7-2300178-3	9-2300178-3
27.50 [1.083]	30.83 [.214]	32.50 [1.280]	12	1-2300178-2	3-2300178-2	5-2300178-2	7-2300178-2	9-2300178-2
25.00 [.984]	28.33 [.115]	30.00 [1.181]	11	1-2300178-1	3-2300178-1	5-2300178-1	7-2300178-1	9-2300178-1
22.50 [.886]	25.83 [.167]	27.50 [1.083]	10	1-2300178-0	3-2300178-0	5-2300178-0	7-2300178-0	9-2300178-0
20.00 [.787]	23.33 [.919]	25.00 [.984]	9	2300178-9	2-2300178-9	4-2300178-9	6-2300178-9	8-2300178-9
17.50 [.689]	20.83 [.820]	22.50 [.886]	8	2300178-8	2-2300178-8	4-2300178-8	6-2300178-8	8-2300178-8
15.00 [.591]	18.33 [.722]	20.00 [.787]	7	2300178-7	2-2300178-7	4-2300178-7	6-2300178-7	8-2300178-7
12.50 [.492]	15.83 [.623]	17.50 [.689]	6	2300178-6	2-2300178-6	4-2300178-6	6-2300178-6	8-2300178-6
10.00 [.394]	13.33 [.525]	15.00 [.591]	5	2300178-5	2-2300178-5	4-2300178-5	6-2300178-5	8-2300178-5
7.50 [.295]	10.83 [.426]	12.50 [.492]	4	2300178-4	2-2300178-4	4-2300178-4	6-2300178-4	8-2300178-4
5.00 [.197]	8.33 [.328]	10.00 [.394]	3	2300178-3	2-2300178-3	4-2300178-3	6-2300178-3	8-2300178-3
2.50 [.098]	5.83 [.229]	7.50 [.295]	2	2300178-2	2-2300178-2	4-2300178-2	6-2300178-2	8-2300178-2
DIM C	DIM B	DIM A	POS	PART NO (RED COLOR)	PART NO (BLUE COLOR)	PART NO (BLACK COLOR)	PART NO (YELLOW COLOR)	PART NO (GREEN COLOR)

2



THIS DRAWING IS A CONTROLLED DOCUMENT.

DWN: OTTO CHEN 01FEB2016
 CHK: DANIEL_Z 03FEB2016
 APVD: DANIEL_Z 03FEB2016

TE Connectivity

NAME: HEADER ASSEMBLY, VERTICAL, ECONOMY POWER, 2.5mm CENTERLINE COLORED

PRODUCT SPEC: 108-2418
 APPLICATION SPEC: 114-13315

SIZE: A2 CAGE CODE: 00779 DRAWING NO: C-2300178 RESTRICTED TO: -

SCALE: N/A SHEET: 2 of 2 REV: A1

X-ON Electronics

Largest Supplier of Electrical and Electronic Components

Click to view similar products for [Headers & Wire Housings](#) category:

Click to view products by [TE Connectivity](#) manufacturer:

Other Similar products are found below :

[892-18-020-10-001101](#) [58102-G61-06LF](#) [582553-1](#) [0009485154](#) [009176003701906](#) [0050291907](#) [LY20-4P-DT1-P1E-BR](#) [02.125.8002.8](#)
[609-3404](#) [61062-3](#) [61082-181009](#) [622-3653LF](#) [63453-116](#) [636-1030](#) [636-1427](#) [636-3427](#) [636-4007](#) [641938-9](#) [641991-4](#) [644827-2](#) [65817-](#)
[010LF](#) [65817-015LF](#) [65863-015LF](#) [66207-023LF](#) [67095-007LF](#) [67601157](#) [68645-018](#) [68648-049](#) [70.362.1628.0](#) [70-4210](#) [70-4226B](#) [70-](#)
[4853B](#) [707-5020](#) [707-5028](#) [71.350.2428.0](#) [71918-208LF](#) [71961-016LF](#) [733-134](#) [733-162](#) [754199-000](#) [760-3052](#) [787-8014-00](#) [79531-3000](#)
[FCN-360C032-B](#) [FCN-367T-T012/H](#) [FCN-723D010/2](#) [80.063.4001.1](#) [800-90-001-10-001000](#) [800-90-010-10-002000](#) [801-43-002-10-013000](#)