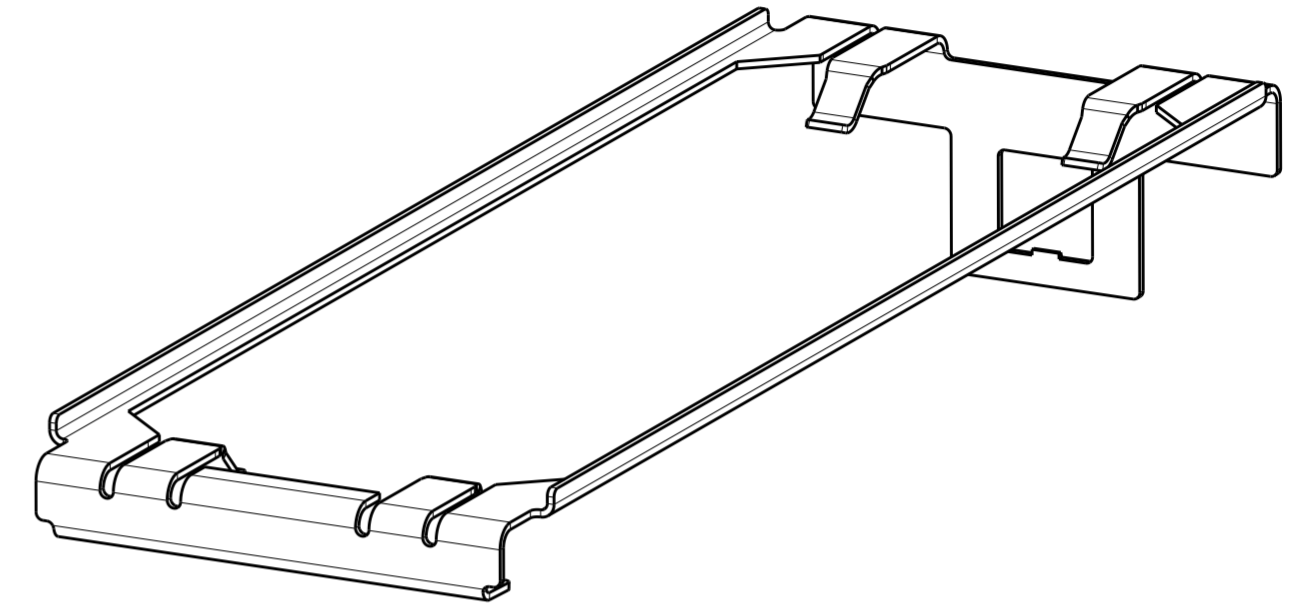
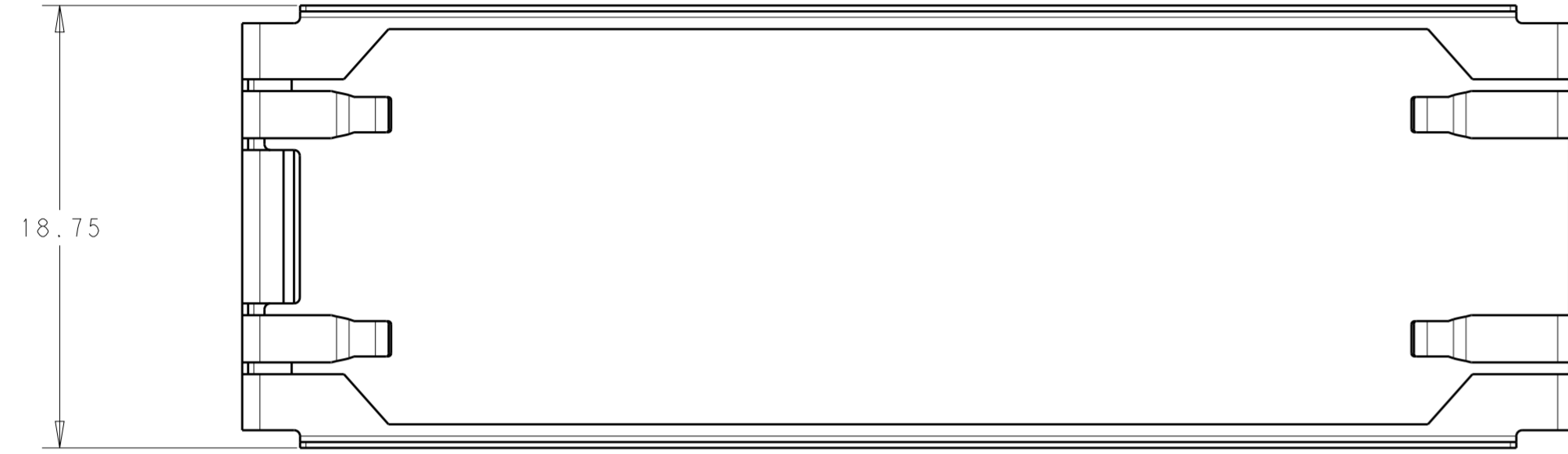


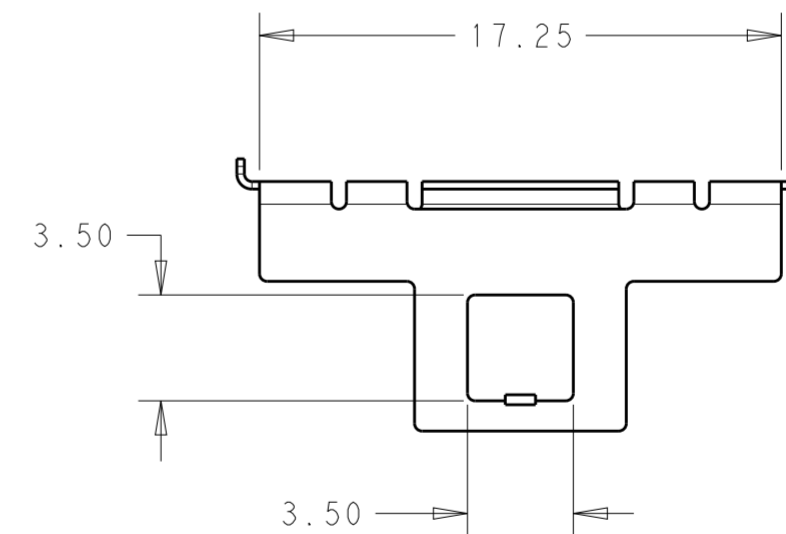
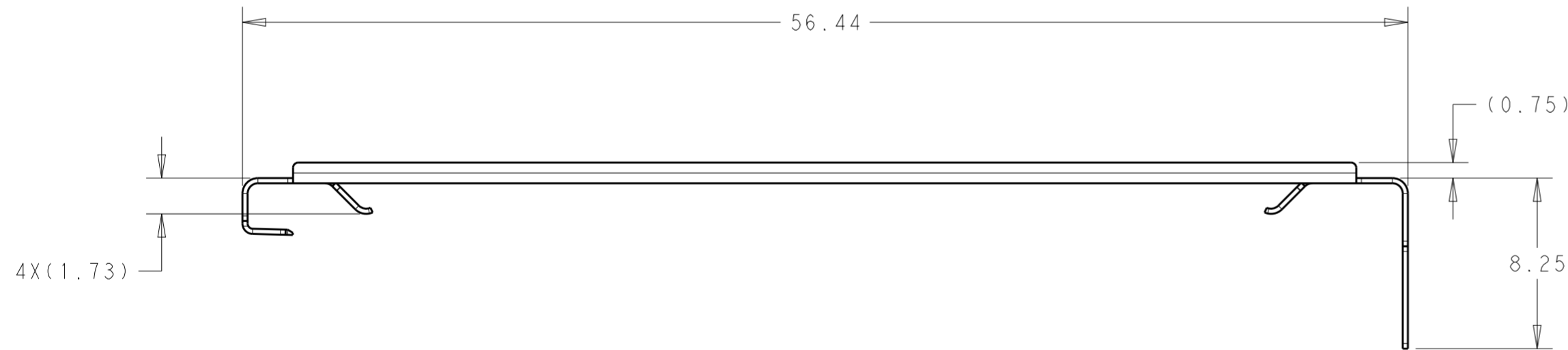
THIS DRAWING IS UNPUBLISHED. RELEASED FOR PUBLICATION 20  
 © COPYRIGHT 20 BY - ALL RIGHTS RESERVED.

REVISIONS					
P	LTR	DESCRIPTION	DATE	DWN	APVD
A		INITIAL RELEASE	13MAR2017	LL	SH
B		REVISED PER ECO-17-012282	22AUG2017	TX	SH

1, MATERIAL: 0.25mm THICKNESS PASSIVATED STAINLESS STEEL.



1-2300832-6  
SCALE 4:1



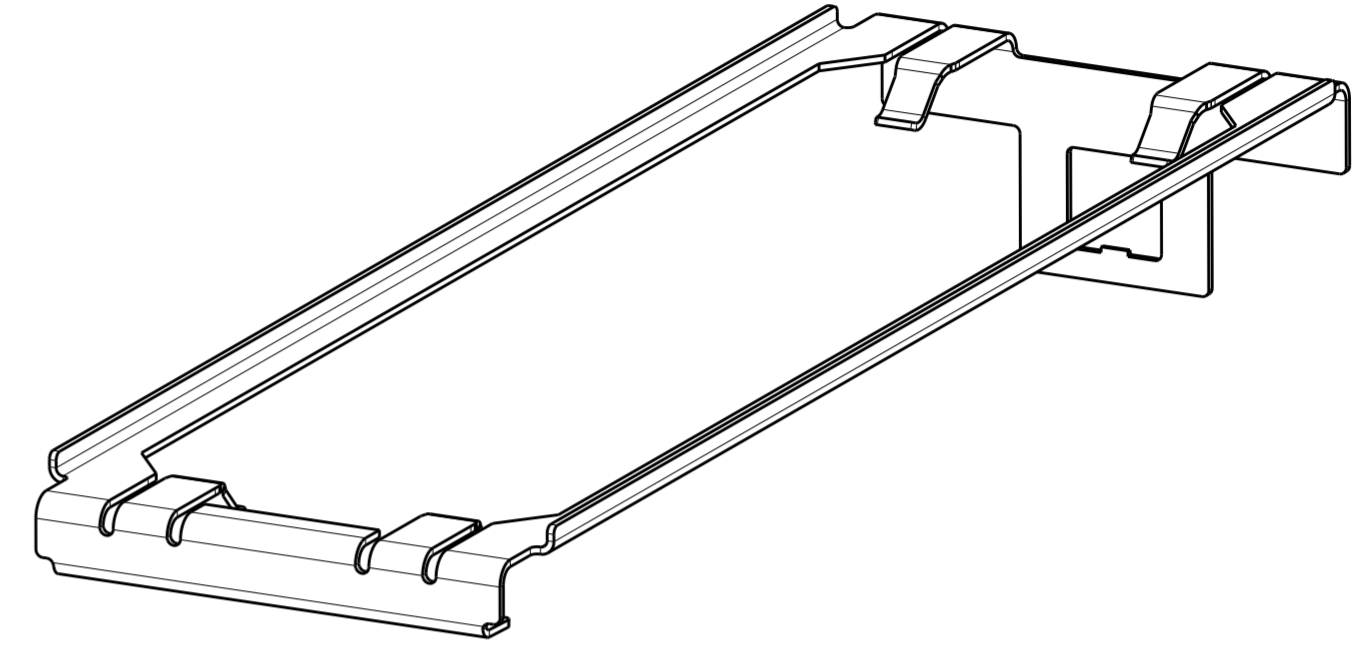
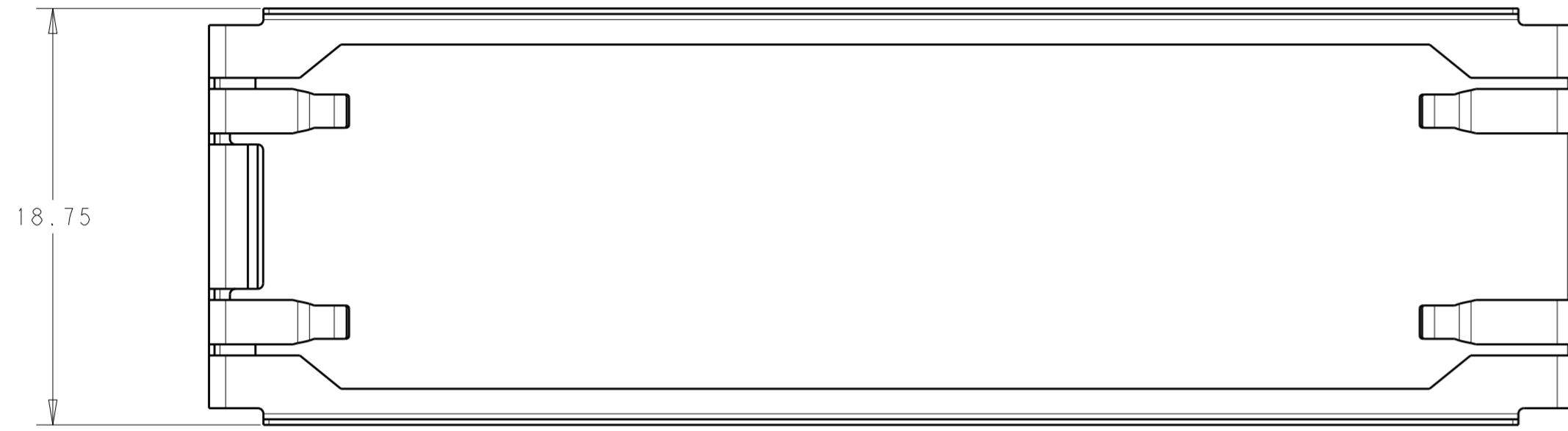
1-2300832-6  
PART NUMBER

THIS DRAWING IS A CONTROLLED DOCUMENT.		DWN LEO LI 07NOV2016	<b>STE</b> TE Connectivity			
		CHK SEAN HAN 07NOV2016				
		APVD SEAN HAN 07NOV2016	NAME CLIP, HEAT SINK, THRU BEZE, GANGED, QSFP28			
DIMENSIONS: mm		PRODUCT SPEC	SIZE	CAGE CODE	DRAWING NO	RESTRICTED TO
TOLERANCES UNLESS OTHERWISE SPECIFIED:		APPLICATION SPEC	A2	00779	C-2300832	-
0 PLC ±		WEIGHT	SCALE 4:1		SHEET 1 OF 2	REV B
1 PLC ±0.3		CUSTOMER DRAWING				
2 PLC ±0.25						
3 PLC ±						
4 PLC ±						
ANGLES ±						
FINISH ±						

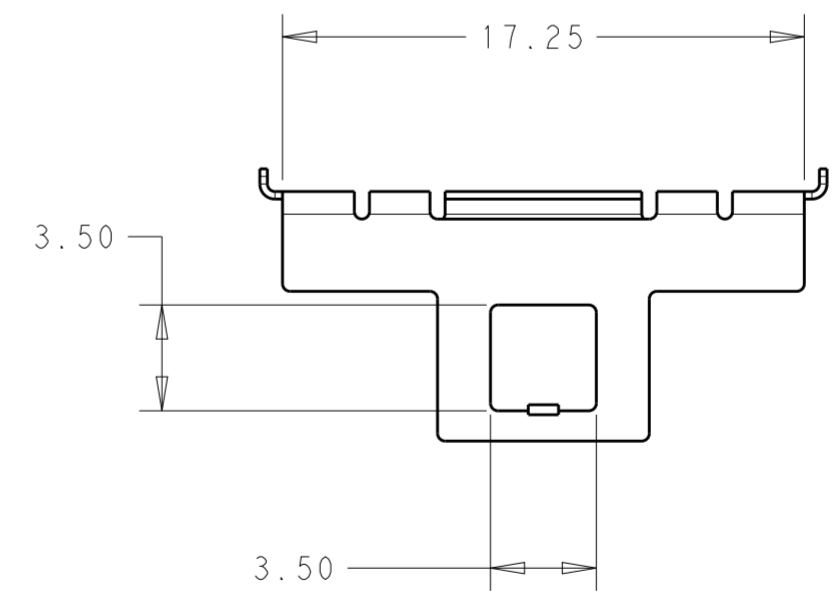
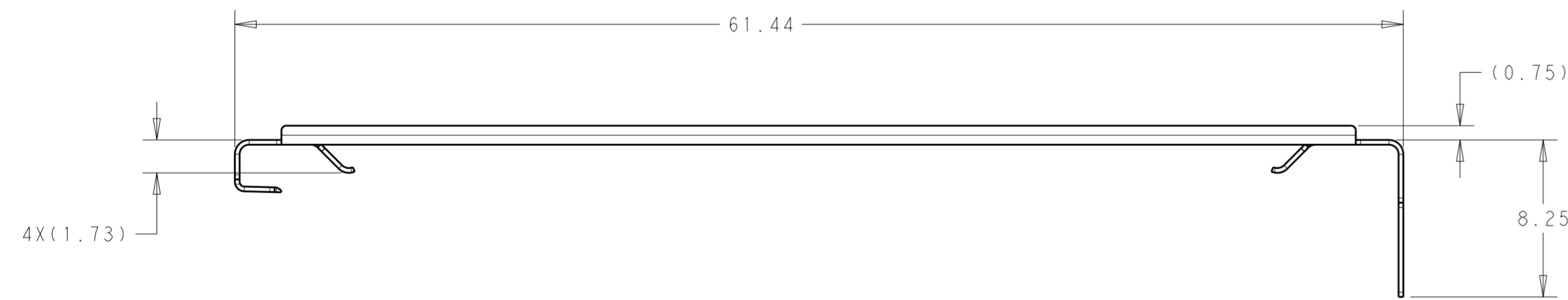
THIS DRAWING IS UNPUBLISHED. RELEASED FOR PUBLICATION 20  
 © COPYRIGHT 20 BY - ALL RIGHTS RESERVED.

REVISIONS				
P	LTR	DESCRIPTION	DATE	APVD
-		SEE SHEET 1	-	-

1, MATERIAL: 0.25mm THICKNESS PASSIVATED STAINLESS STEEL.



1-2300832-7  
SCALE 4:1



1-2300832-7  
PART NUMBER

THIS DRAWING IS A CONTROLLED DOCUMENT.		DWN LEO LI 07NOV2016	TE Connectivity	
		CHK SEAN HAN 07NOV2016		
		APVD SEAN HAN 07NOV2016	NAME CLIP, HEAT SINK, THRU BEZE, GANGED, QSFP28	
DIMENSIONS:		PRODUCT SPEC		
mm		APPLICATION SPEC		
TOLERANCES UNLESS OTHERWISE SPECIFIED:		WEIGHT		
0 PLC	±	SCALE 4:1 SHEET 2 OF 2 REV B		
1 PLC	±0.3			
2 PLC	±0.25			
3 PLC	±			
4 PLC	±			
ANGLES	±			
FINISH	-			
MATERIAL	-	CUSTOMER DRAWING		
	-	SIZE CAGE CODE DRAWING NO RESTRICTED TO		
	-	A200779 C-2300832		

## X-ON Electronics

Largest Supplier of Electrical and Electronic Components

*Click to view similar products for [Heat Sinks](#) category:*

*Click to view products by [TE Connectivity](#) manufacturer:*

Other Similar products are found below :

[657-20ABPNE](#) [73452PPBA](#) [A22-4026](#) [120-1873-007](#) [218-40CTE3](#) [231-69PAB-15V](#) [231-75PAB-13V](#) [231-75PAB-15V](#) [253-122ABE-22](#)  
[PSC22CB](#) [295-2](#) [CLP212SG](#) [D10100-28](#) [BDN183CBA01](#) [3-21053-4](#) [TX0506-1B](#) [LAE66A3CB](#) [511-3U](#) [73381PPBA](#) [73403PPBA](#) [8191-](#)  
[E40](#) [510-12M](#) [529802B00000](#) [D10650-40T5](#) [6225B-MT6G](#) [ATS-54310K-C2-R0](#) [648-51AB](#) [657-20ABPESC](#) [679-25AG](#) [FK 212 CB SA](#)  
[FK225 SA L1](#) [241404B91203G](#) [6801G](#) [680-5K](#) [7106DG/TR](#) [SK145 37 5STSTO220](#) [7109DG/TR](#) [TS-11042-CY](#) [S14K35G3S5](#) [8924G](#)  
[7717-133DAP](#) [7717-26DAP](#) [4509](#) [SW25-4G](#) [CLP-215](#) [CLP-207](#) [D20850-40-T2](#) [APF30-30-10CB/A01](#) [V8508E](#) [268-85CTE](#)