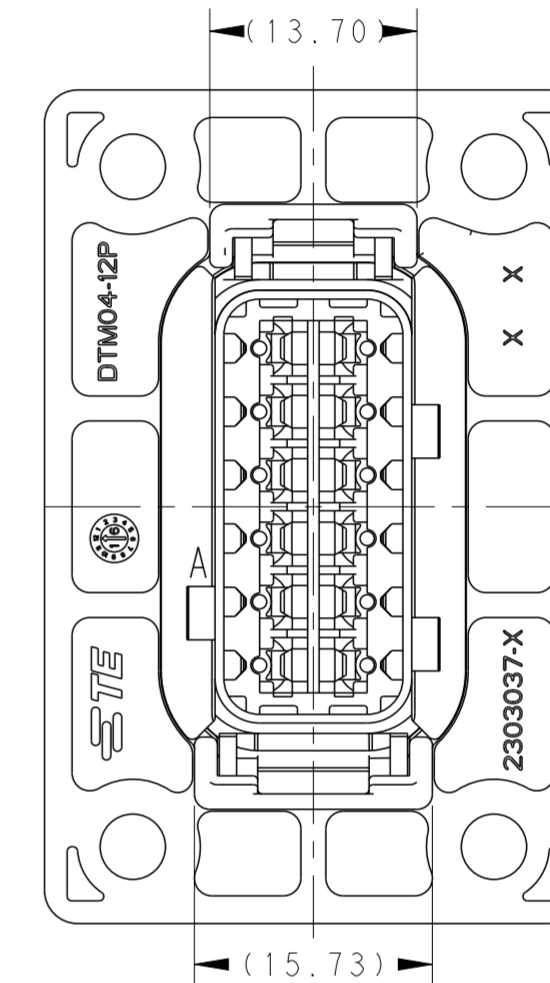
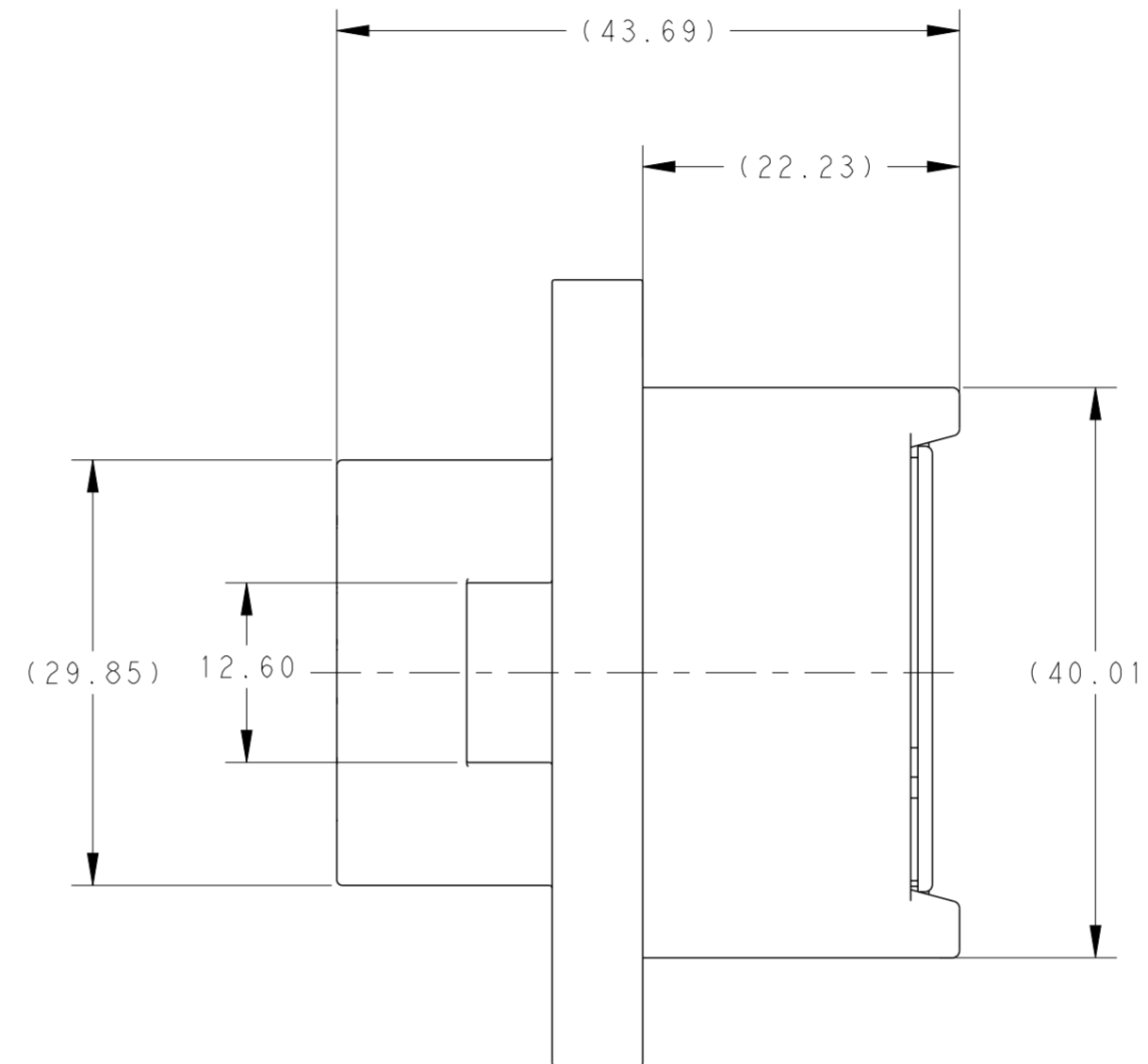
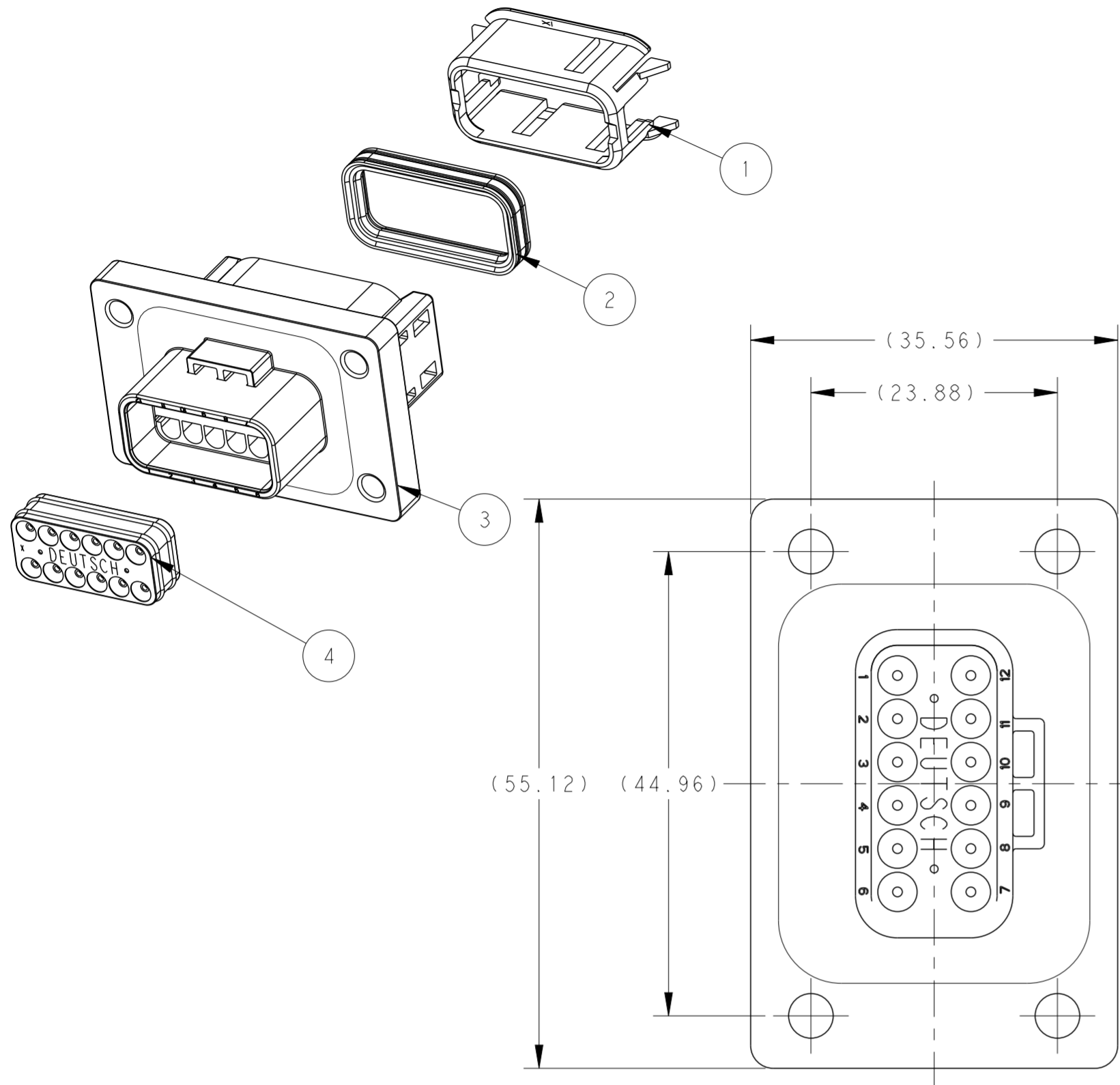


THIS DRAWING IS UNPUBLISHED. RELEASED FOR PUBLICATION
 © COPYRIGHT - BY TE CONNECTIVITY ALL RIGHTS RESERVED.

REVISIONS					
P	LTR	DESCRIPTION	DATE	DWN	APVD
A		INITIAL RELEASE	27JUL2016	C.W	S.W
A1		ECR-17-015081	18OCT2017	C.W	E.J



NOTES.

- THIS RECEPTACLE MATES WITH DTM06-12SX-XXXX PLUG (X = A,B,C,D KEYS; XXXX = ALL MODIFICATIONS), SEE SHEET 3 FOR OTHER KEY ARRANGEMENTS.
- MATERIAL - HOUSING/FLANGE: NYLON 6/6 15% GF; GROMMET: VMQ, PLEASE REFER TO PNs TABLE FOR DETAIL.
- RECOMMENDED SCREW: 6-32 [M4]. TORQUE: 2.26-2.82 Nm.
- FOR CONTACT AND WIRE PERFORMANCE AND APPLICATION CHARACTERISTICS SEE ENVELOPE DRAWING 0425-015-0000. FORMAT FOR D/C DEFINITION IN LASER PROCESS. THE MARKING SHOULD BE CLEARLY DISTINGUISHABLE
- WEDGE LOCK FOR THE SERIES IS WM-12P, WHICH IS SOLD SEPARATELY, CONTACT AND WIRE SIZE:

CONTACT SIZE	MIN. INSUL. O.D.	MAX. INSUL. O.D.	WIRE RANGE [mm ²] REF ONLY
20	1.35	3.05	16-20 AWG [1.0-0.5]
- GASKET PN DT12-L012-GKT MAY BE USED FOR 2303064-1/2303064-2/2303064-3/2303064-4 ON MOUNTING PANEL
- PNs IN SHEET 2/4 ARE PARTS WITH SURFACE SEAL ASSEMBLIED,

1	1	1	1	-	ORANGE	SILICONE	GROMMET.N-SEA	4	
1				-	BROWN	PA-GF15	RECEPTACLE HOUSING	3	
	1			-	GREEN	PA-GF15	RECEPTACLE HOUSING		
		1		-	BLACK	PA-GF15	RECEPTACLE HOUSING		
			1	-	GRAY	PA-GF15	RECEPTACLE HOUSING	1	
A1	1	1	1	-	ORANGE	SILICONE	FRONT SEAL		2
	1			-	BROWN	PA-GF15	SLEEVE RETAINER		1
		1		-	GREEN	PA-GF15	SLEEVE RETAINER		
			1	-	BLACK	PA-GF15	SLEEVE RETAINER		
			1	-	GRAY	PA-GF15	SLEEVE RETAINER		
QTY.	QTY.	QTY.	QTY.	ORDER NO	COLOUR	MATERIAL	DESCRIPTION	ITEM NO	
28.3778	28.3778	28.3778	28.3778				WEIGHT (g)		
2303064-4	2303064-3	2303064-2	2303064-1				TCPN		
D	C	B	A				CODING		

THIS DRAWING IS A CONTROLLED DOCUMENT.

DWN: CHARLES WAN JUN12016
 CHK: ARIEL DANG JUN12016
 APVD: SUIYA WANG JUN12016

TE Connectivity

NAME: RECEPTACLE, 12 SIZE #20 CONTACTS DTM SERIES

PRODUCT SPEC: 108-151010-1
 APPLICATION SPEC: 0425-015-0000

SIZE: A2 CAGE CODE: - DRAWING NO: C-2303064 RESTRICTED TO: -

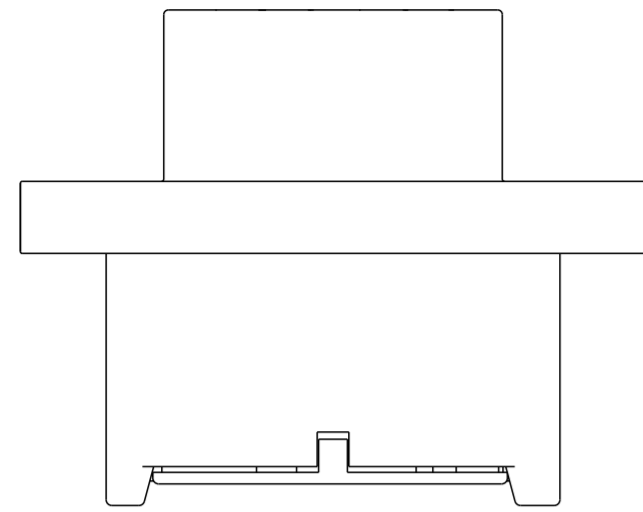
MATERIAL: 2 TOLERANCES UNLESS OTHERWISE SPECIFIED:
 0 PLC ±
 1 PLC ±
 2 PLC ±0.38
 3 PLC ±
 4 PLC ±
 ANGLES ±0°30'0"
 FINISH: -

WEIGHT: -

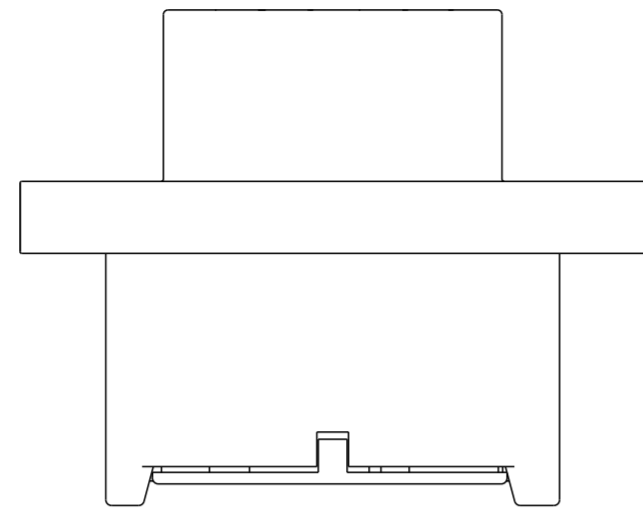
CUSTOMER DRAWING SCALE: 2:1 SHEET: 1 OF 4 REV: A1

THIS DRAWING IS UNPUBLISHED. RELEASED FOR PUBLICATION
 © COPYRIGHT - BY TE CONNECTIVITY ALL RIGHTS RESERVED.

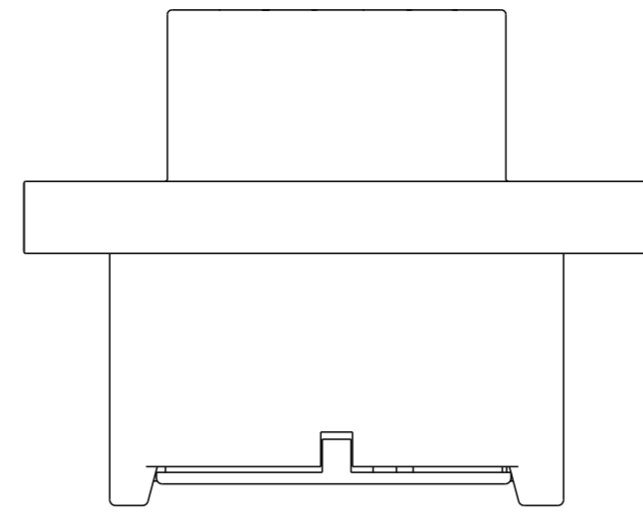
REVISIONS				
P	LTR	DESCRIPTION	DATE	APVD



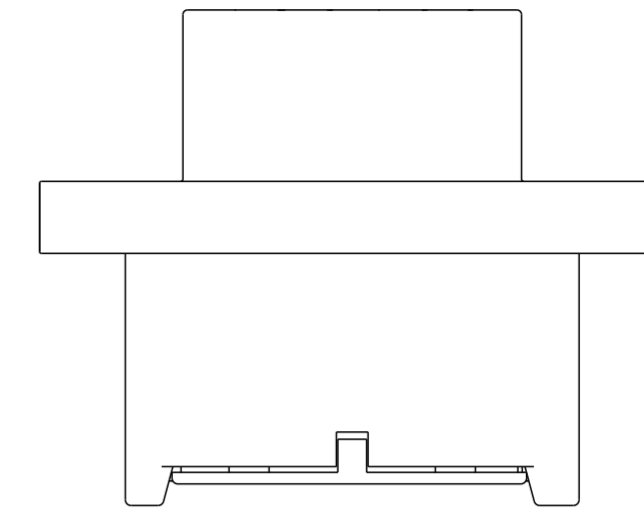
2303064-1
KEY -A-
COLOR: GREY



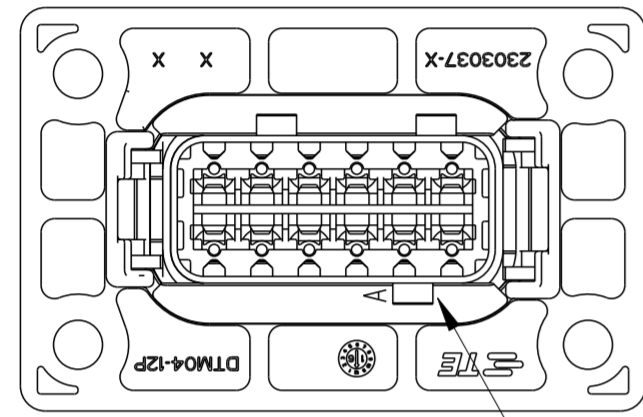
2303064-2
KEY -B-
COLOR: BLACK



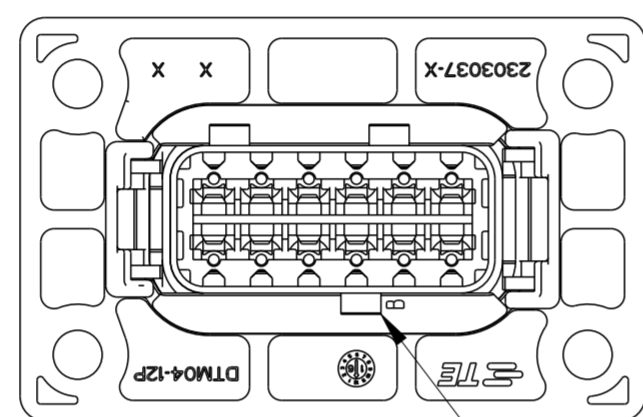
2303064-3
KEY -C-
COLOR: GREEN



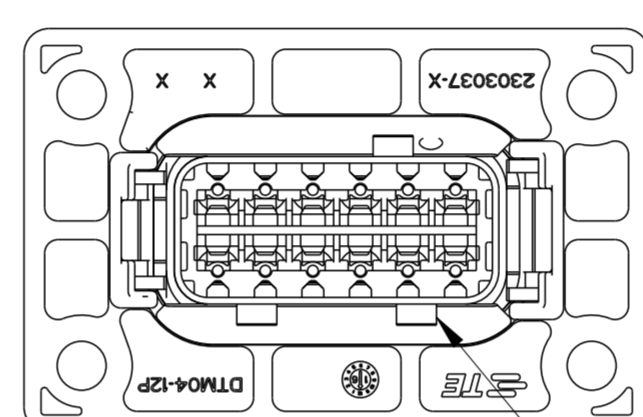
2303064-4
KEY -D-
COLOR: BROWN



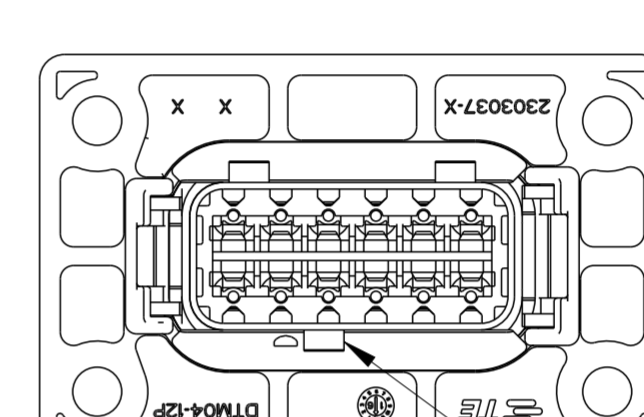
3X KEYWAY



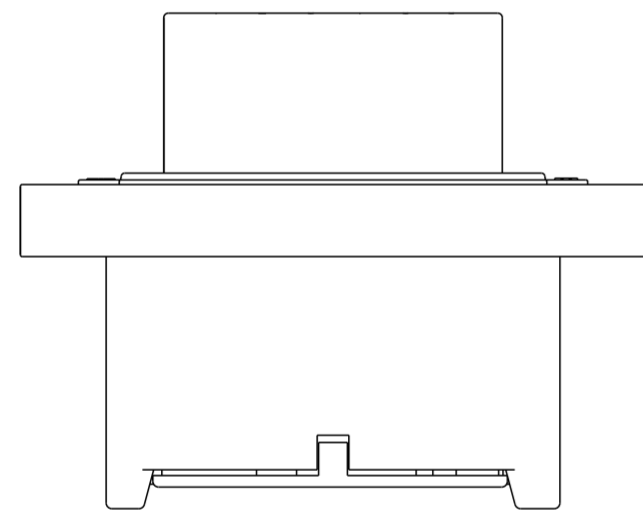
3X KEYWAY



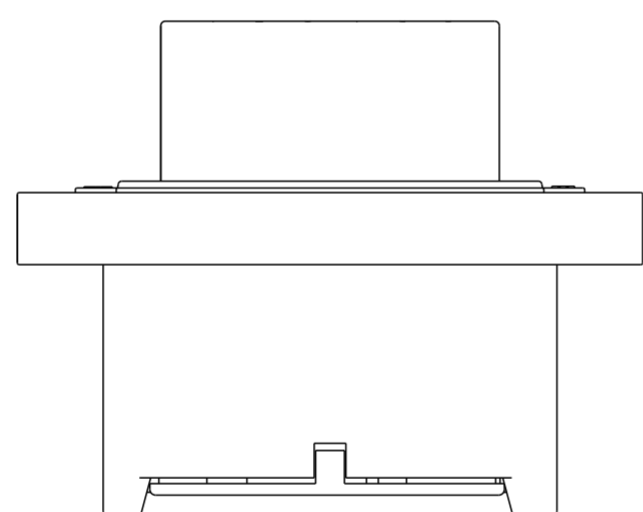
3X KEYWAY



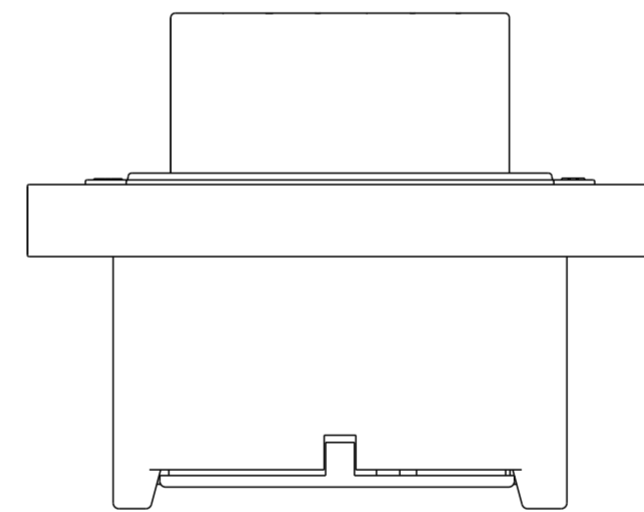
3X KEYWAY



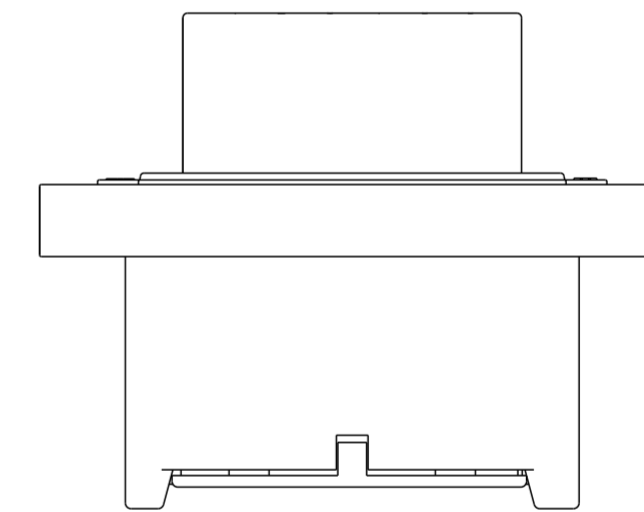
1-2303064-1
KEY -A-
COLOR: GREY



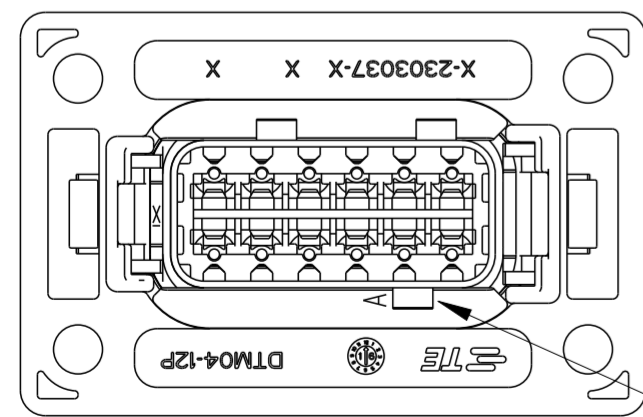
1-2303064-2
KEY -B-
COLOR: BLACK



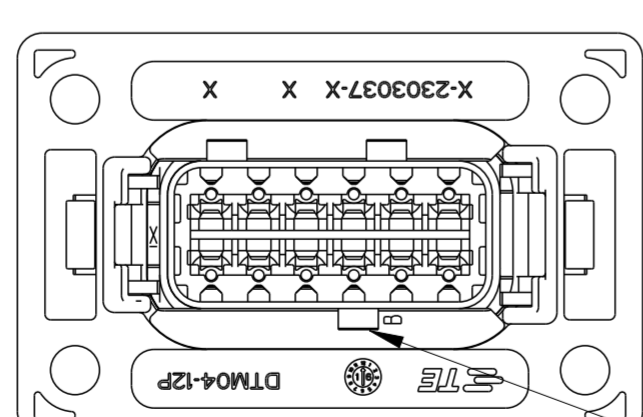
1-2303064-3
KEY -C-
COLOR: GREEN



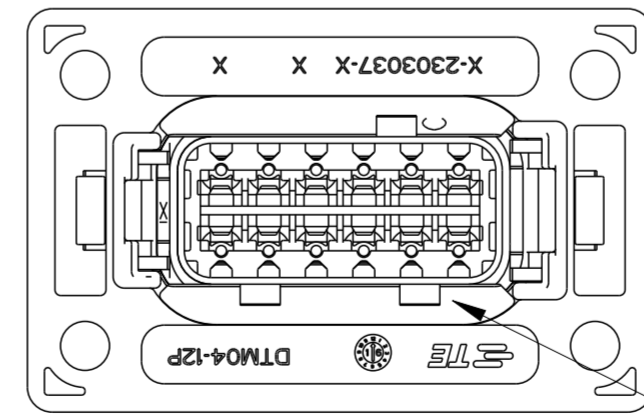
1-2303064-4
KEY -D-
COLOR: BROWN



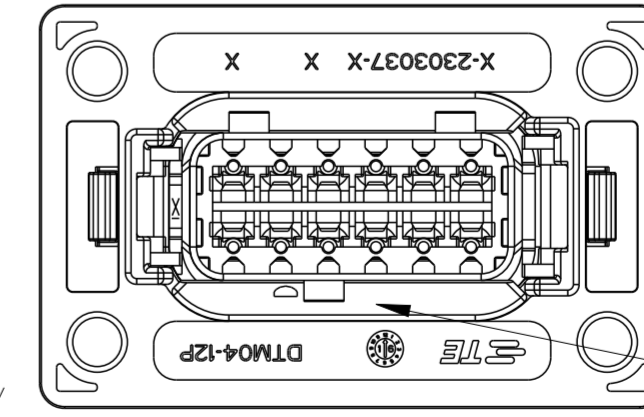
3X KEYWAY



3X KEYWAY



3X KEYWAY

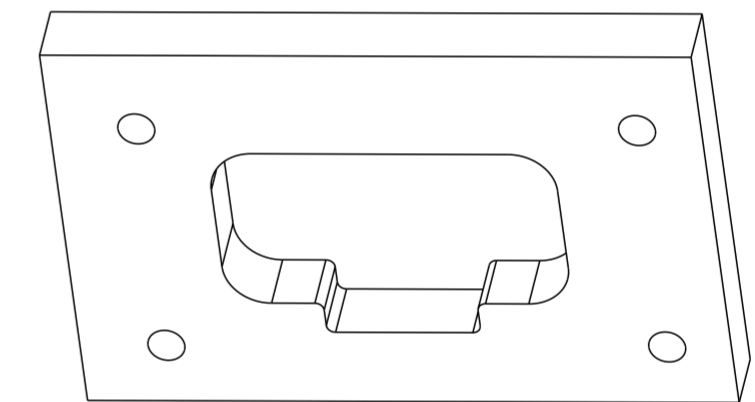
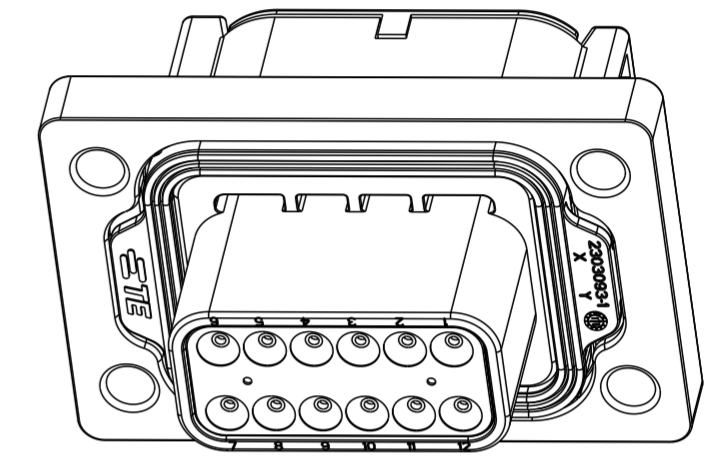
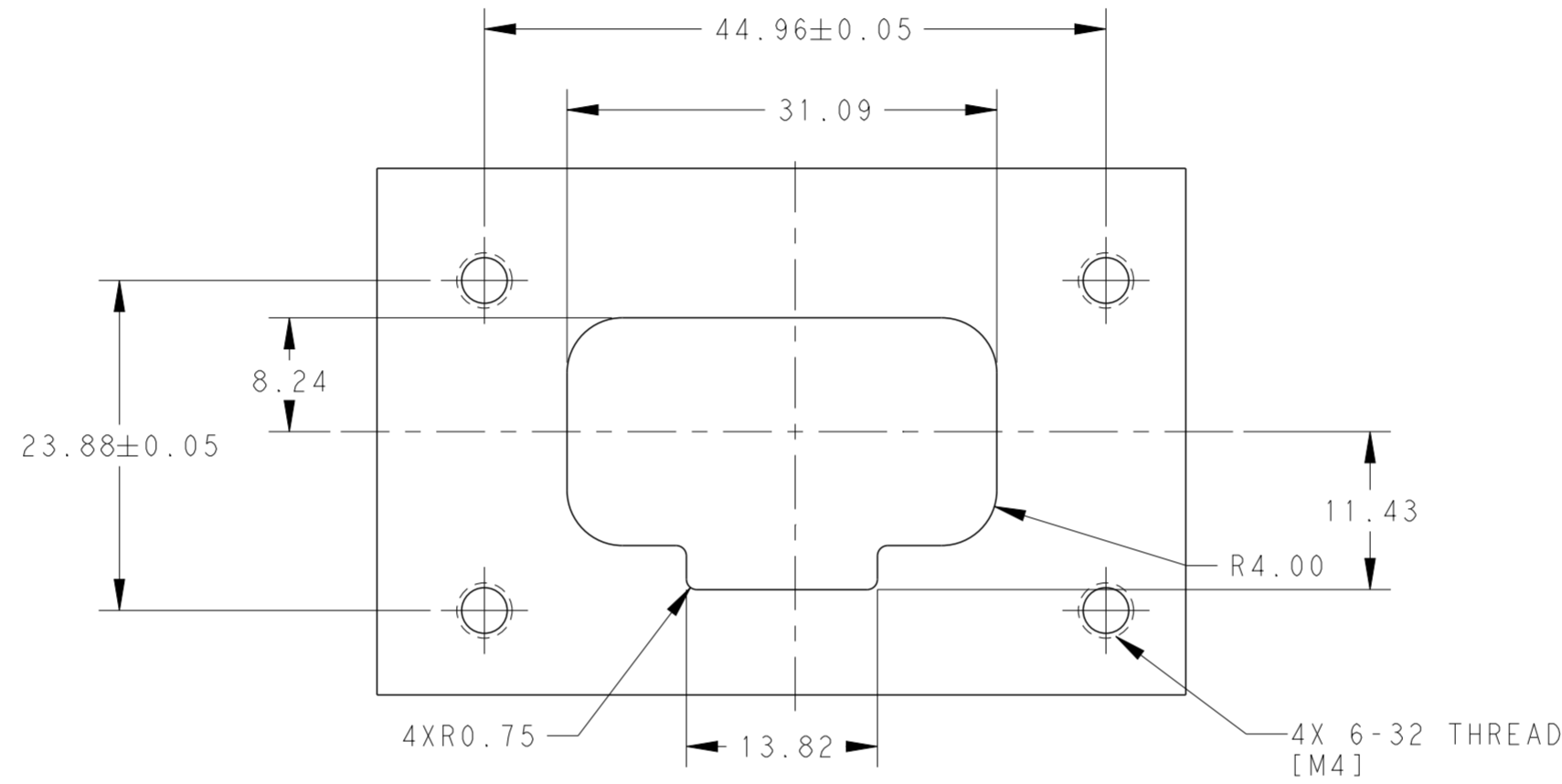
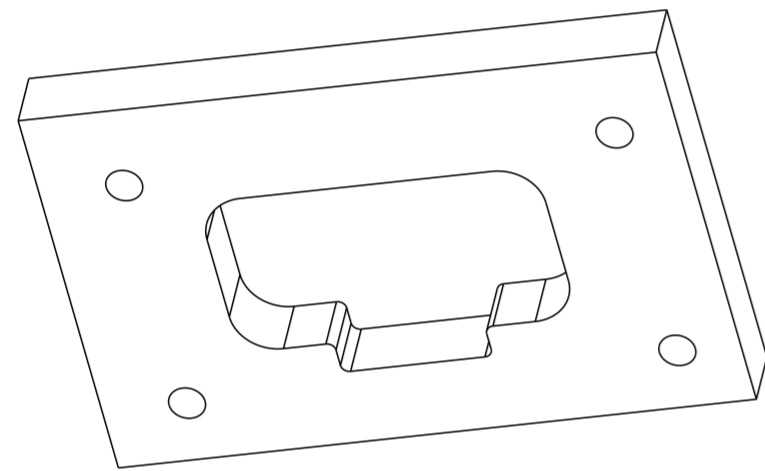
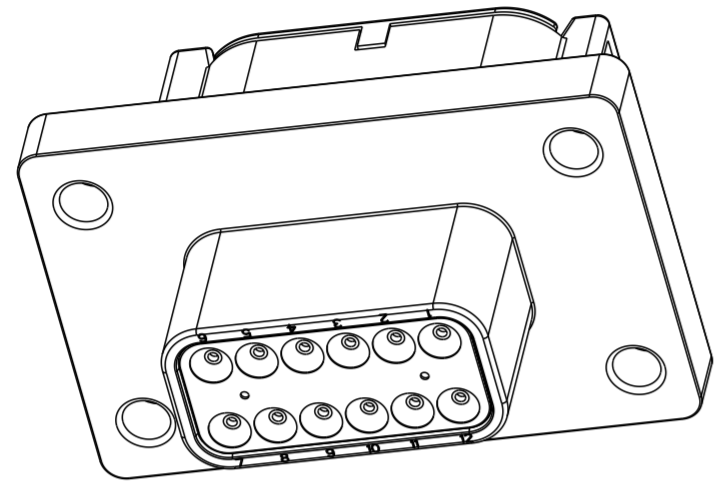


3X KEYWAY

THIS DRAWING IS A CONTROLLED DOCUMENT.		DWN CHARLES WAN JUN12016	TE Connectivity			
DIMENSIONS: mm		CHK ARIEL DANG JUN12016				
TOLERANCES UNLESS OTHERWISE SPECIFIED:		APVD SUIYA WANG JUN12016	NAME RECPTACLE, 12 SIZE #20 CONTACTS DTM SERIES			
0 PLC ± 1 PLC ± 2 PLC ±0.38 3 PLC ± 4 PLC ± ANGLES ±0°30'0" FINISH -		PRODUCT SPEC 108-151010-1	SIZE A2	CAGE CODE -	DRAWING NO G-2303064	RESTRICTED TO -
MATERIAL 2		APPLICATION SPEC 0425-015-0000	WEIGHT -	SCALE 1:1	SHEET 3 OF 4	REV A1
CUSTOMER DRAWING						

THIS DRAWING IS UNPUBLISHED. RELEASED FOR PUBLICATION
 © COPYRIGHT - BY TE CONNECTIVITY ALL RIGHTS RESERVED.

REVISIONS				
P	LTR	DESCRIPTION	DATE	APVD



2303064-1/2303064-2
 2303064-3/2303064-4
 FRONT PANEL MOUNT

RECOMMENDED MOUNTING HOLE

1-2303064-1/1-2303064-2
 1-2303064-3/1-2303064-4
 FRONT PANEL MOUNT

THIS DRAWING IS A CONTROLLED DOCUMENT.		DWN CHARLES WAN CHK ARIEL DANG APVD SUIYA WANG	JUN12016 JUN12016 JUN12016	TE Connectivity NAME RECPTACLE, 12 SIZE #20 CONTACTS DTM SERIES				
DIMENSIONS: mm 		TOLERANCES UNLESS OTHERWISE SPECIFIED: 0 PLC ±- 1 PLC ±- 2 PLC ±0.38 3 PLC ±- 4 PLC ±- ANGLES ±0°30'0" FINISH -				PRODUCT SPEC 108-151010-1 APPLICATION SPEC 0425-015-0000	SIZE A2	CAGE CODE -
MATERIAL 		WEIGHT -		CUSTOMER DRAWING		SCALE 2:1	SHEET 4 OF 4	REV A1

X-ON Electronics

Largest Supplier of Electrical and Electronic Components

Click to view similar products for [Automotive Connectors](#) category:

Click to view products by [TE Connectivity](#) manufacturer:

Other Similar products are found below :

[003-018-000](#) [60993906-B](#) [72.330.1035.1](#) [F358300-B](#) [F407400](#) [776880-1](#) [827153-1](#) [8N1515-32-24P](#) [9-1326729-8](#) [925474-1](#) [928905-1](#)
[964562-4](#) [968782-1](#) [98891-1012](#) [12004475-L](#) [12041318-B](#) [12052466](#) [12015909](#) [1-21030-1](#) [12041318](#) [12047957](#) [12185550](#) [12336-12](#)
[12147304](#) [1-326211-1](#) [13681974](#) [13783086](#) [13832576](#) [13542772](#) [13675513](#) [1428188-1](#) [1437287-3](#) [1428188-2](#) [DS07-19S-5020](#) [1456983-5](#)
[1456987-7](#) [APD-7CP-H](#) [APK-SB25A10L](#) [1452931-2](#) [15336198](#) [15491972](#) [15305306](#) [15396680](#) [15425613](#) [15518544](#) [15522351](#) [1719636-1](#)
[172190-2](#) [172190-5](#) [192900-0402](#)