

REVISIONS

変更

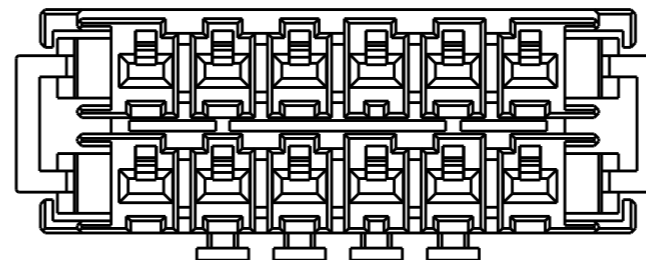
P	LTR	DESCRIPTION	DATE	DWN	APVD
	A	RELEASED	02AUG2016	Y.O	N.Y
	AI	ADD NEW PART NUMBER. ECR-17-004498	27MAR2017	Y.O	N.Y

本寸法はアータム - A - で測定されること

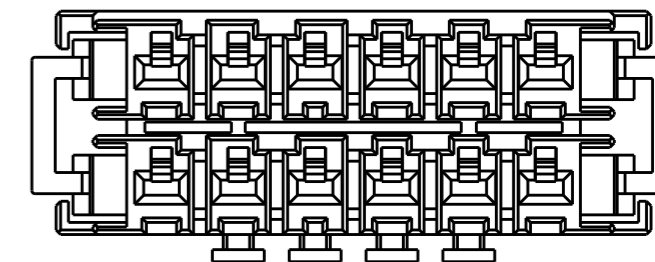
2. 本図はリセハウジング | 個とストレインリリーフプレート | 個のキット図面である

THIS DIMENTION MUST BE MEASURED AT - A - OF HOUSING

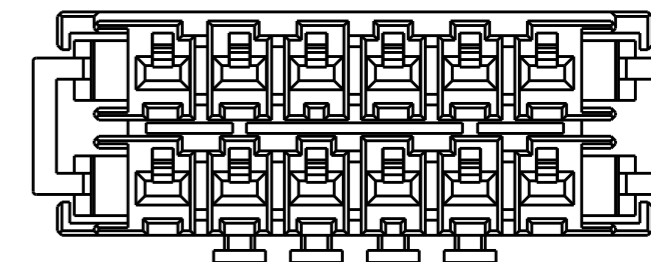
2. THIS DRAWING IS KIT DRAWING OF REC HOUSING (1pc) AND STRAIN RELIEF PLATE (1pc)



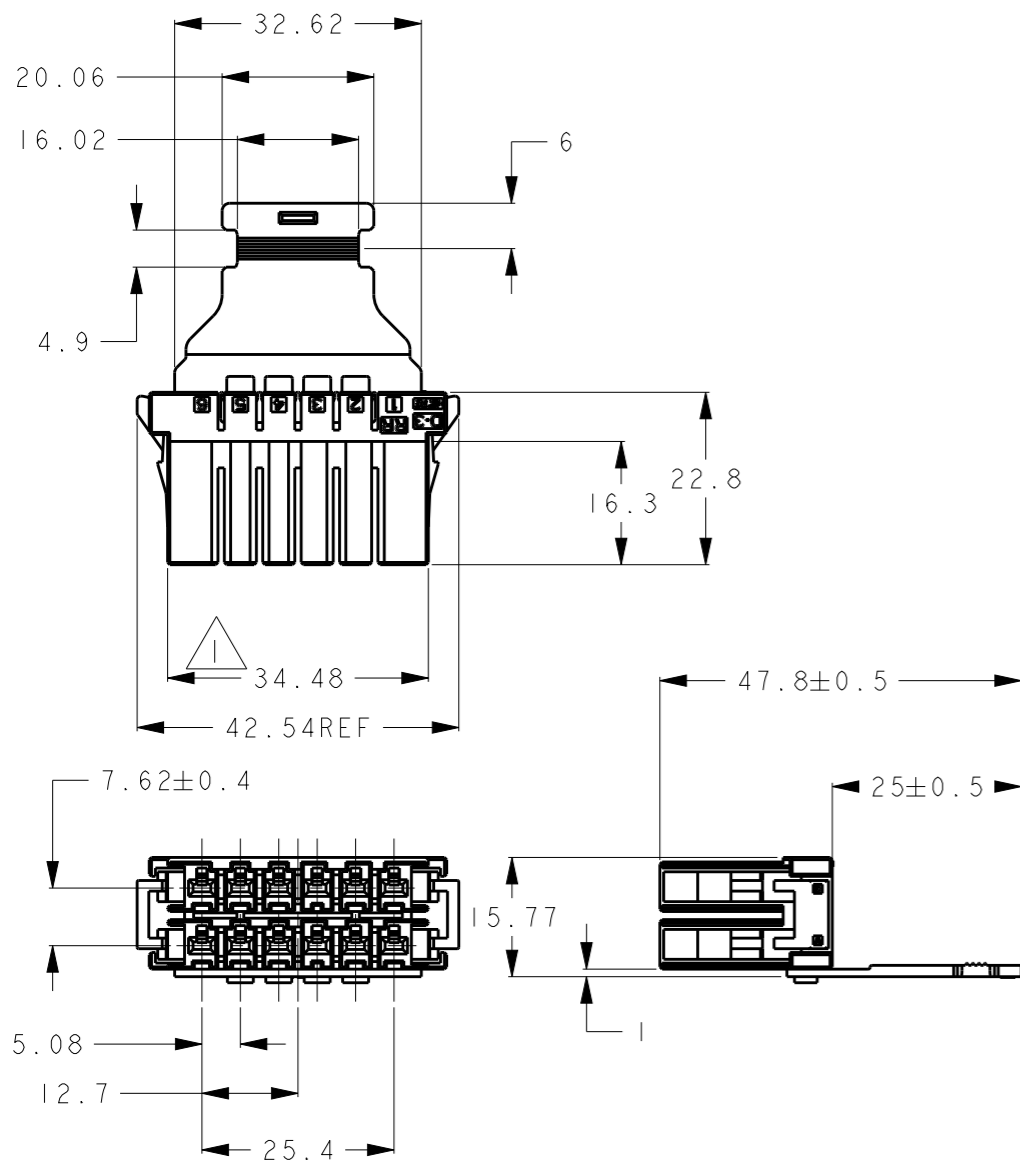
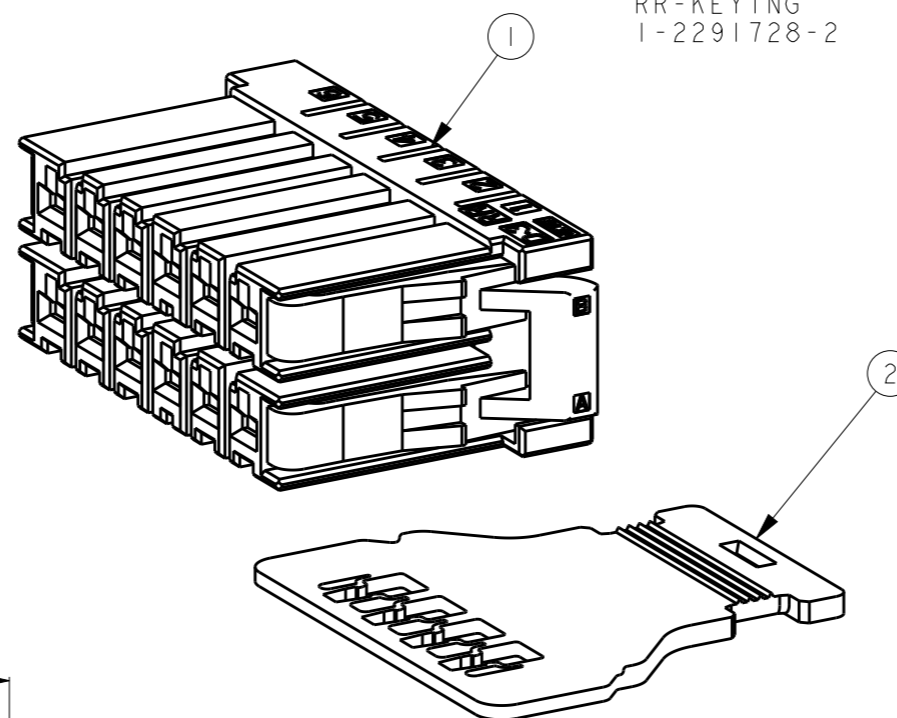
RR-KEYING
1-2291728-2



SS-KEYING
2-2291728-2



RS-KEYING
3-2291728-2



SCALE 1:1
スケール 1:1

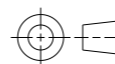
DIMENSIONS OF AFTER ATTACHED STRAIN RELIEF PLATE
ストレインリリーフ取り付け後寸法

1	1	1	MATERIAL: THERMO PLASTIC, POLYESTER COLOR: BLACK	STRAIN RELIEF PLATE	2291733-6	2
1	-	-	MATERIAL: THERMO PLASTIC, POLYESTER COLOR: BLACK	REC HSG 12P RS-KEY	3-2291728-2	1
-	1	-	MATERIAL: THERMO PLASTIC, POLYESTER COLOR: BLACK	REC HSG 12P SS-KEY	2-2291728-2	
-	-	1	MATERIAL: THERMO PLASTIC, POLYESTER COLOR: BLACK	REC HSG 12P RR-KEY	1-2291728-2	
3-	-	1	MATERIAL/FINISH	PART NAME	PARTS NUMBER	ITEM

THIS DRAWING IS A CONTROLLED DOCUMENT.

DIMENSIONS:
単位: 概
mm

TOLERANCES UNLESS
OTHERWISE SPECIFIED:



一般公差	±0.3
0 PLC	±0.5
1 PLC	±0.1
2 PLC	±0.01
3 PLC	±0.005
4 PLC	±
ANGLES	±

MATERIAL
材料

FINISH
仕上

DWN 22APR2016

Y. OKADA

CHK 23APR2016

E. TAKEMASA

APVD 23APR2016

N. YAMASAKI

PRODUCT SPEC

製品規格

108-5349

APPLICATION SPEC

取付適用規格

WEIGHT -

CUSTOMER DRAWING



TE Connectivity

NAME
名称 STRAIN RELIEF KIT
RECEPTACLE ASSEMBLY 12P
DYNAMIC3200

SIZE

CAGE CODE

DRAWING NO
番号

RESTRICTED TO

A300779

G-2303378

SCALE
尺度

2:1

SHEET

OF

1

REV

AI

X-ON Electronics

Largest Supplier of Electrical and Electronic Components

Click to view similar products for [Headers & Wire Housings](#) category:

Click to view products by [TE Connectivity](#) manufacturer:

Other Similar products are found below :

[892-18-020-10-001101](#) [58102-G61-06LF](#) [582553-1](#) [0009485154](#) [009176003701906](#) [0050291907](#) [LY20-4P-DT1-P1E-BR](#) [02.125.8002.8](#)
[609-3404](#) [61062-3](#) [61082-181009](#) [622-3653LF](#) [63453-116](#) [636-1030](#) [636-1427](#) [636-3427](#) [636-4007](#) [641938-9](#) [641991-4](#) [644827-2](#) [65817-010LF](#) [65817-015LF](#) [65863-015LF](#) [66207-023LF](#) [67095-007LF](#) [67601157](#) [68645-018](#) [68648-049](#) [70.362.1628.0](#) [70-4210](#) [70-4226B](#) [70-4853B](#) [707-5020](#) [707-5028](#) [71.350.2428.0](#) [71918-208LF](#) [71961-016LF](#) [733-134](#) [733-162](#) [754199-000](#) [760-3052](#) [787-8014-00](#) [79531-3000](#)
[FCN-360C032-B](#) [FCN-367T-T012/H](#) [FCN-723D010/2](#) [80.063.4001.1](#) [800-90-001-10-001000](#) [800-90-010-10-002000](#) [801-43-002-10-013000](#)