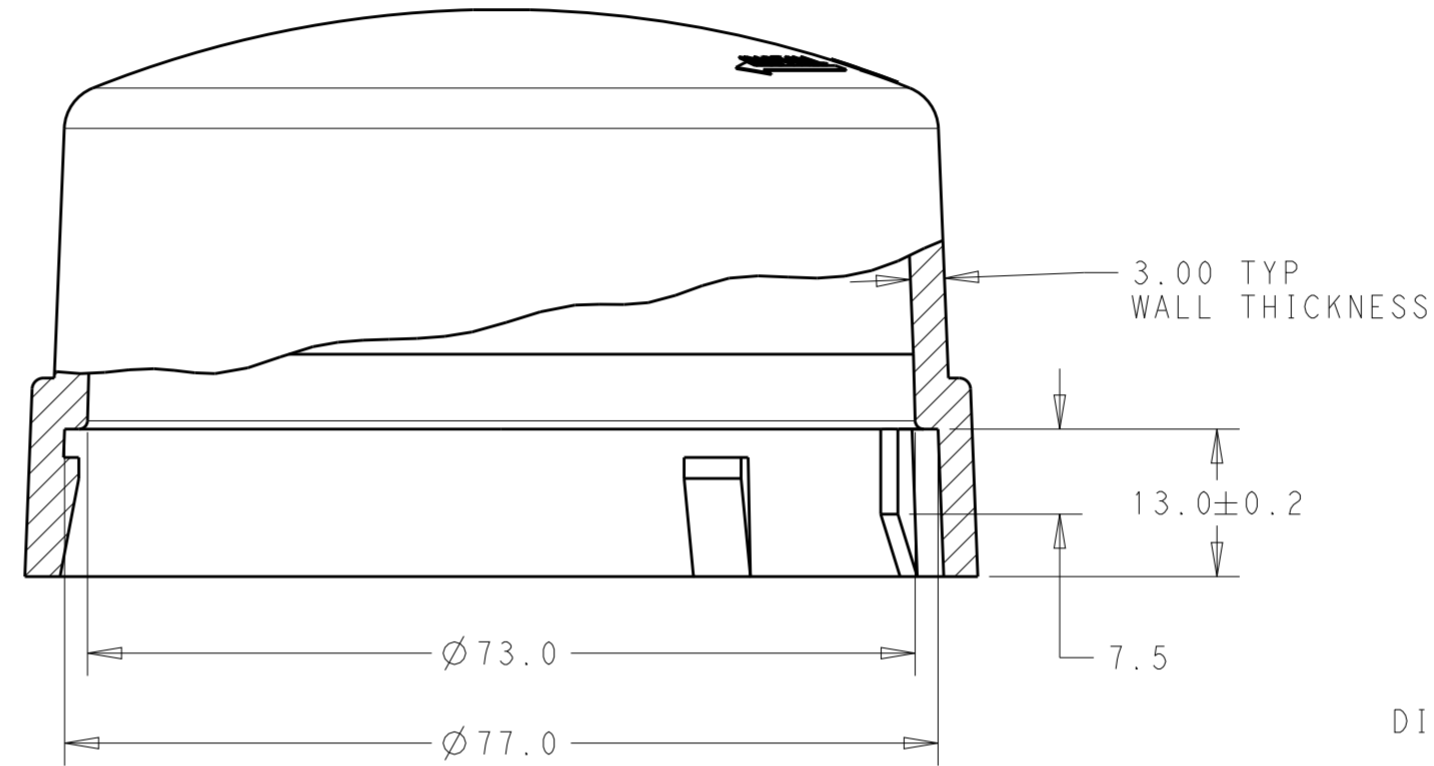
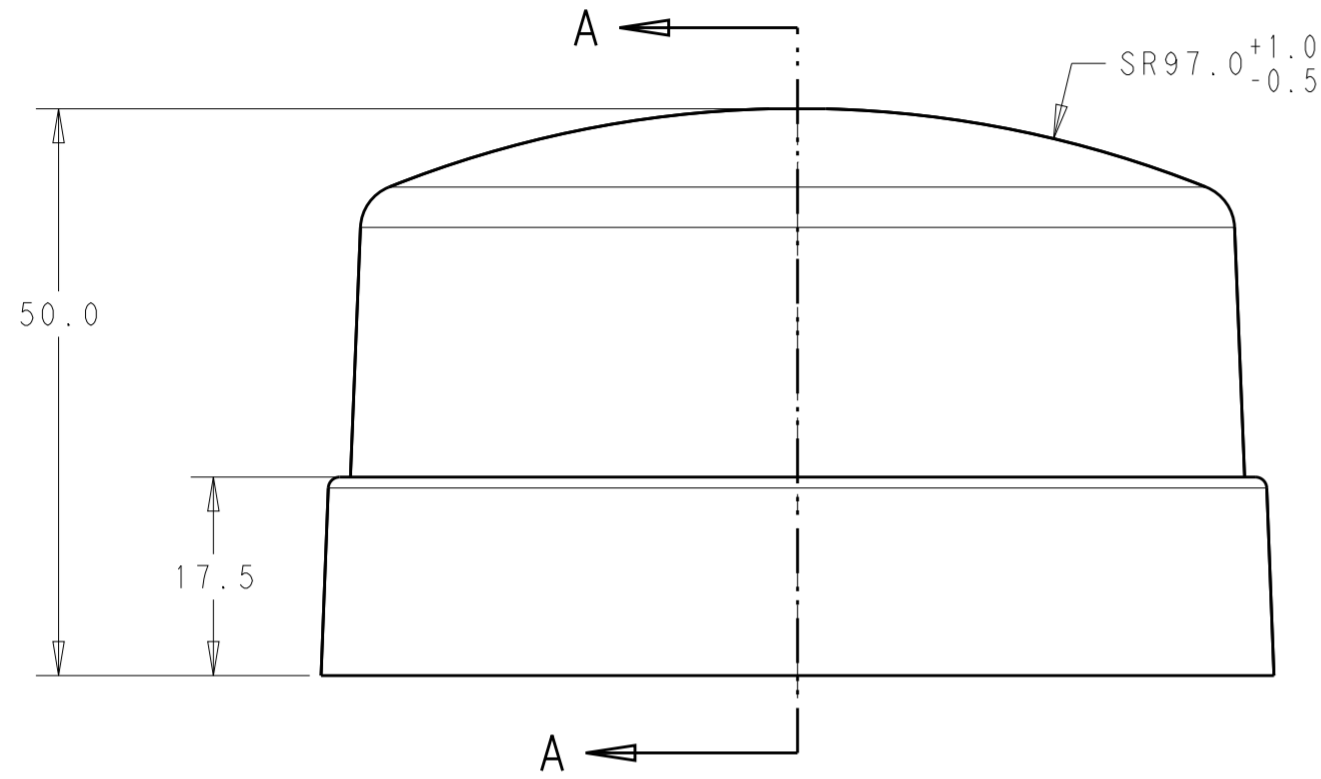


THIS DRAWING IS UNPUBLISHED. RELEASED FOR PUBLICATION 20
 © COPYRIGHT 20 BY - ALL RIGHTS RESERVED.

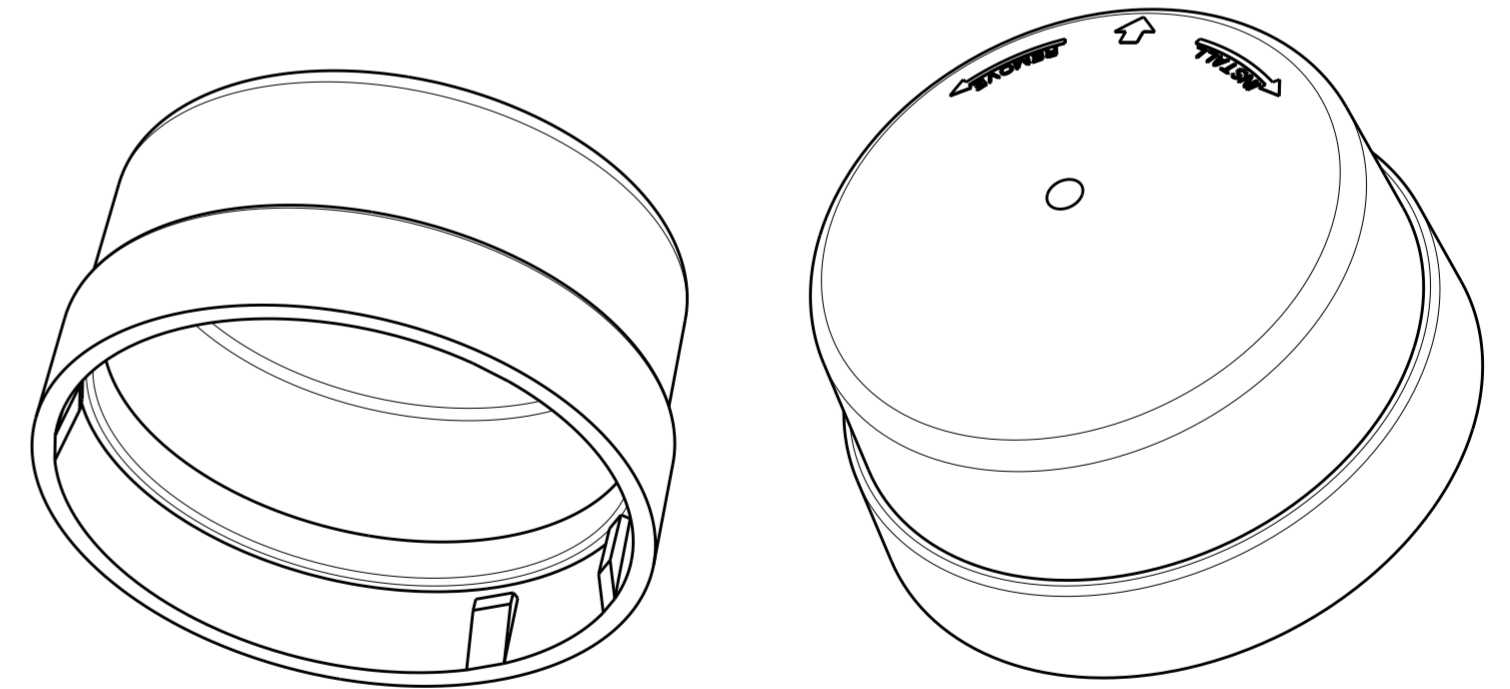
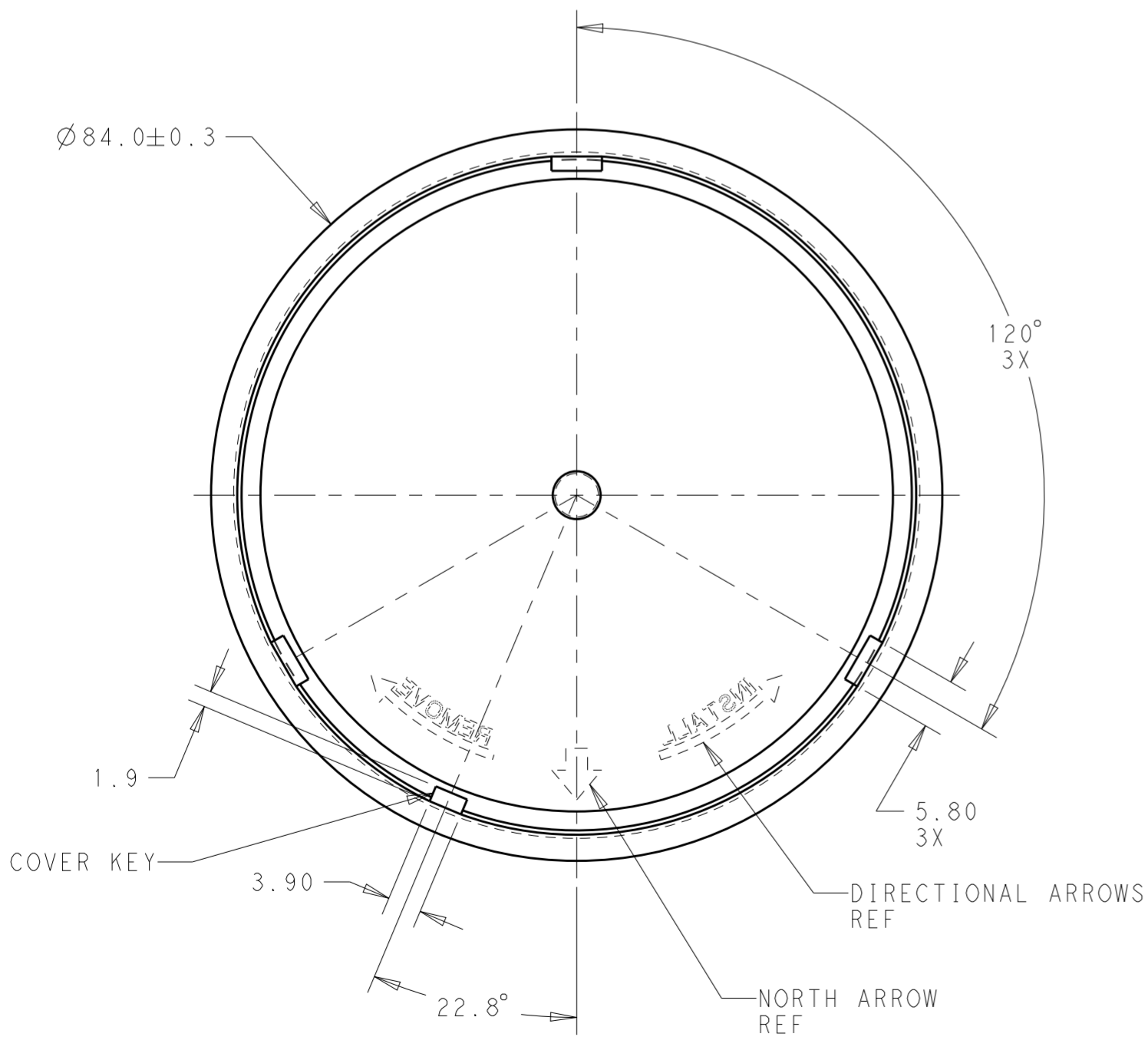
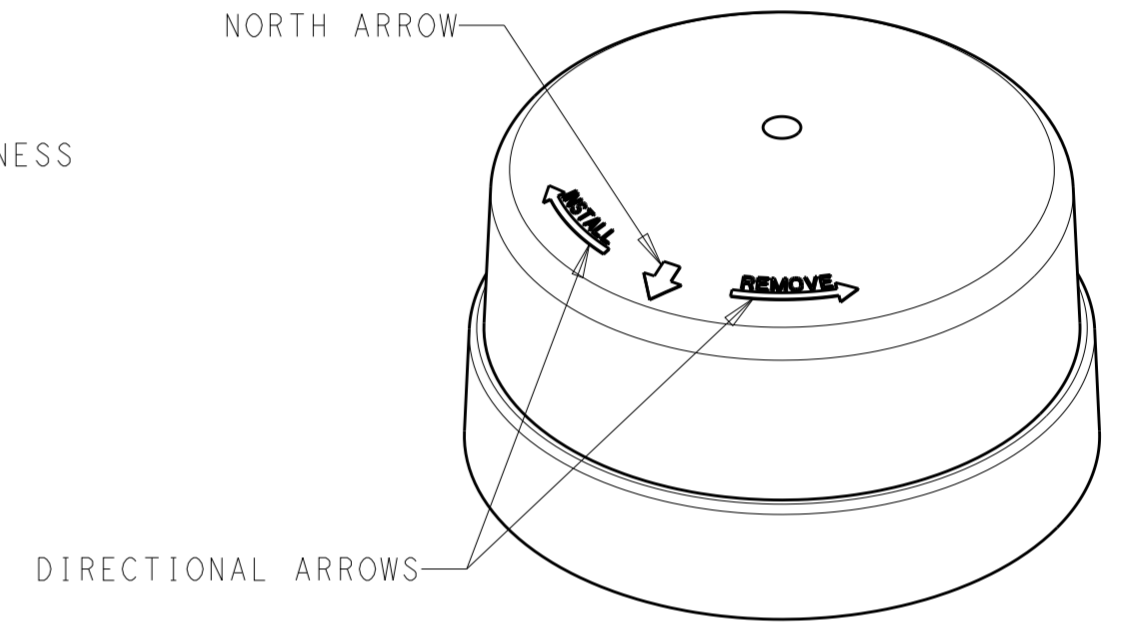
REVISIONS					
P	LTR	DESCRIPTION	DATE	DWN	APVD
A		REVISED PER ECO-17-010638	21JUL2017	RK	DD
B		REVISED PER ECR-19-010486	10JUL2019	SR	DD

NOTES:

- 1 MATERIALS:
 HOUSING: POLYCARBONATE, UV 5VA RATED
 COLOR: SEE TABLE
- 2 MATING BASE TE P/N: 2213730-X
- 3. THIS PRODUCT HAS NOT COMPLETED VALIDATION TESTING.



SECTION A-A



78%	TRANSPARENT CLEAR	1-2306128-1
24%	TRANSPARENT SMOKE GRAY	2306128-1
APPROX LIGHT TRANSMISSION		PART NO.
		COLOR

THIS DRAWING IS A CONTROLLED DOCUMENT.		DWN J. SHAFFER 07JUL2016	TE Connectivity	
		CHK E. HOWARD 07JUL2016		
DIMENSIONS: mm		TOLERANCES UNLESS OTHERWISE SPECIFIED: 0 PLC ± 1 PLC ±0.3 2 PLC ±0.25 3 PLC ± 4 PLC ± ANGLES ±3° FINISH		NAME COVER, LIGHT CONTROLLER, SHORT, 76 DIA
MATERIAL - -		PRODUCT SPEC 108-32125 APPLICATION SPEC 114-32159 WEIGHT -	SIZE A2	RESTRICTED TO -
CUSTOMER DRAWING		SCALE 1:1	SHEET 1 OF 1	REV B

X-ON Electronics

Largest Supplier of Electrical and Electronic Components

Click to view similar products for [LED Lighting Fixture Accessories](#) category:

Click to view products by [TE Connectivity](#) manufacturer:

Other Similar products are found below :

[XVBC081](#) [1-2315539-1](#) [2306129-1](#) [180997-0001](#) [1-2213996-1](#) [4821](#) [2702312](#) [MC39-1J-UNNU](#) [X48V](#) [XF088](#) [XG085](#) [XJ078](#) [XK075](#)
[XL073](#) [XN068](#) [XO065](#) [XP063](#) [XR058](#) [XQ060](#) [XH083](#) [XE090](#) [XS055](#) [XC095](#) [XT053](#) [XU050](#) [XV-TD](#) [4775](#) [5012](#) [5014](#) [LL01A00CSLB2](#)
[LL01A00CWGB2](#) [1301130007](#) [1301120097](#) [1301120099](#) [1301120101](#) [1301120114](#) [1301120153](#) [1301120154](#) [1301120157](#) [1301120174](#)
[1301120110](#) [1301120137](#) [1301120130](#) [1301860719](#) [1301120131](#) [1301120144](#) [1301120196](#) [1301850471](#) [2702313](#) [2702315](#)