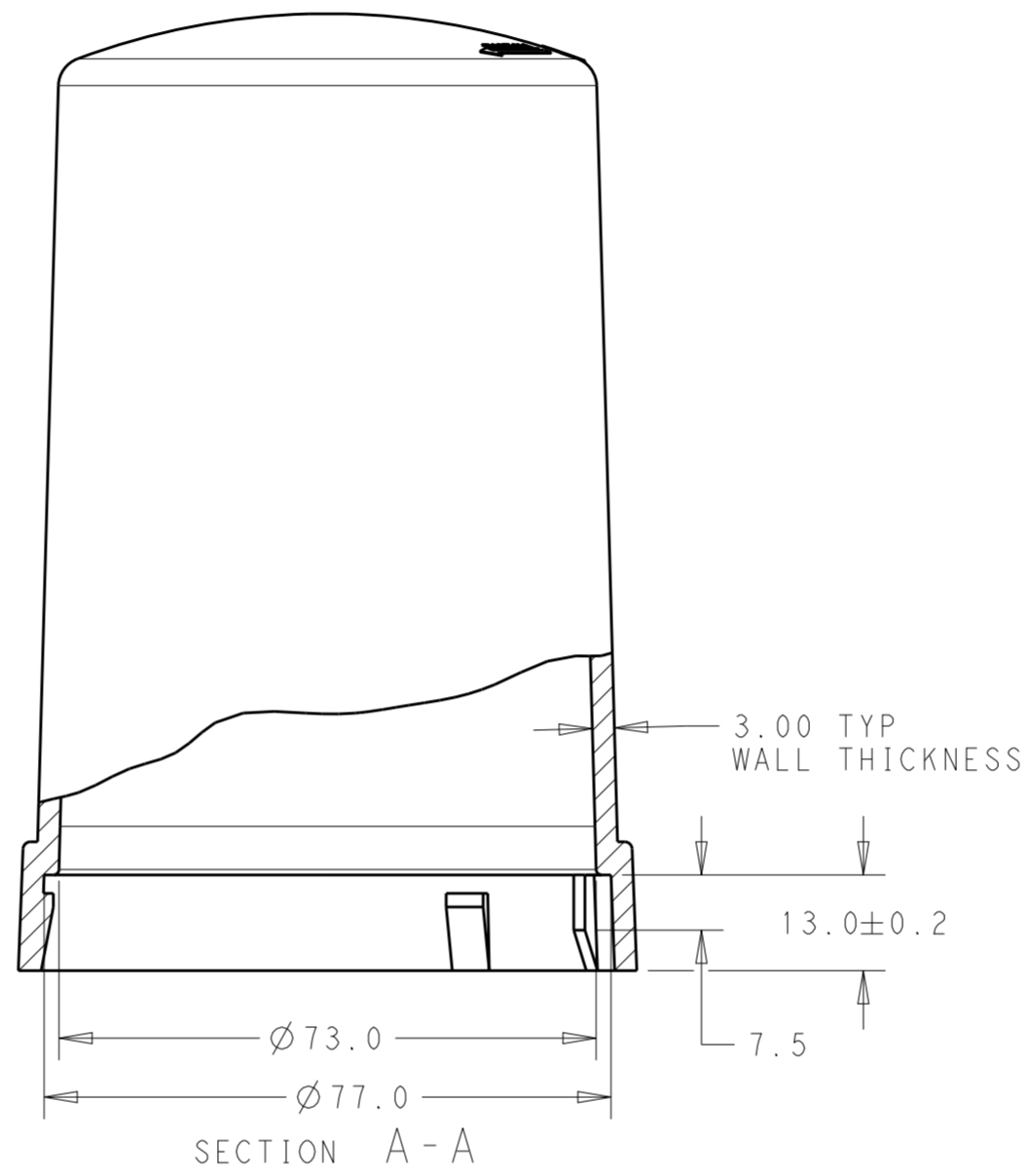
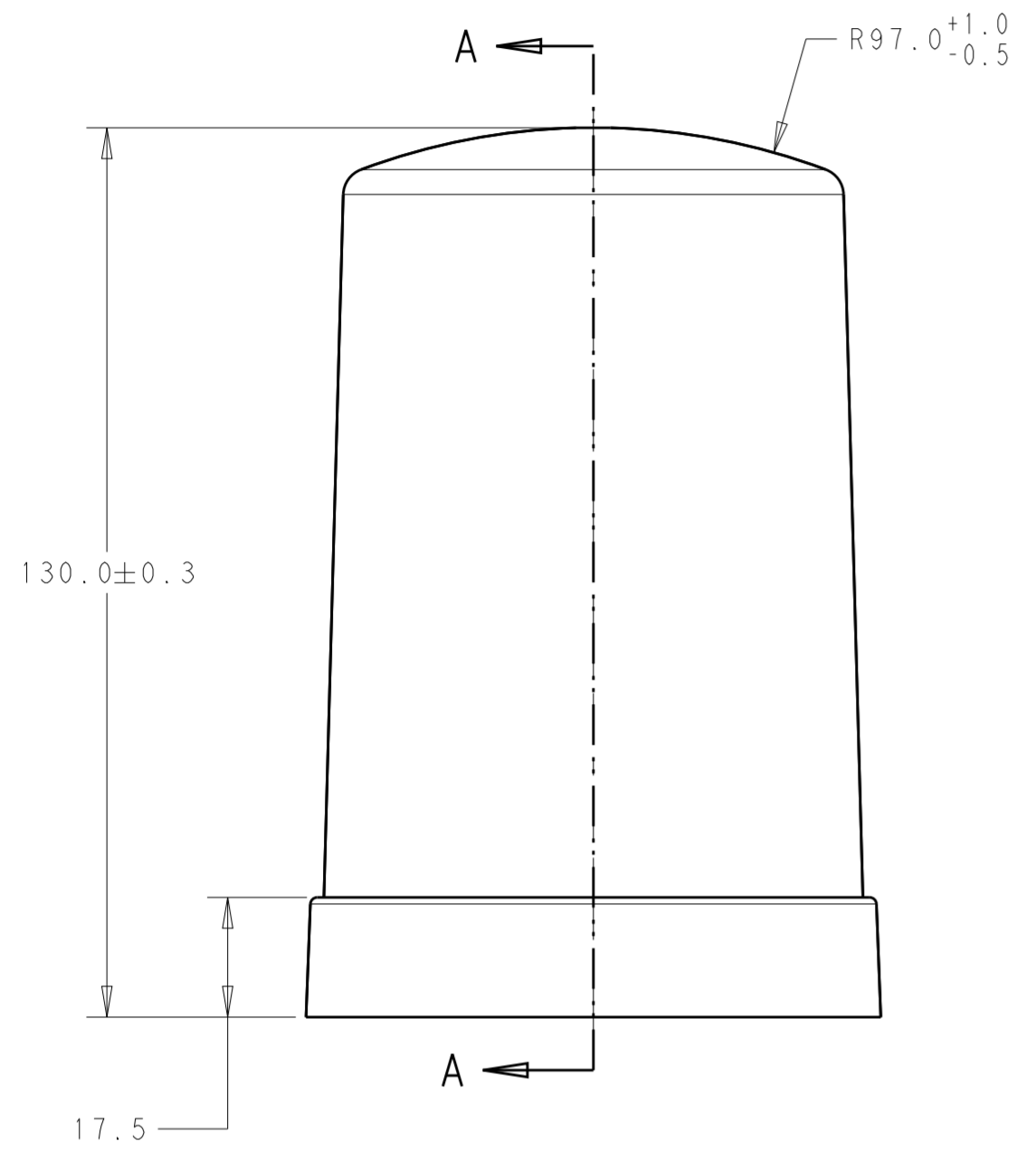
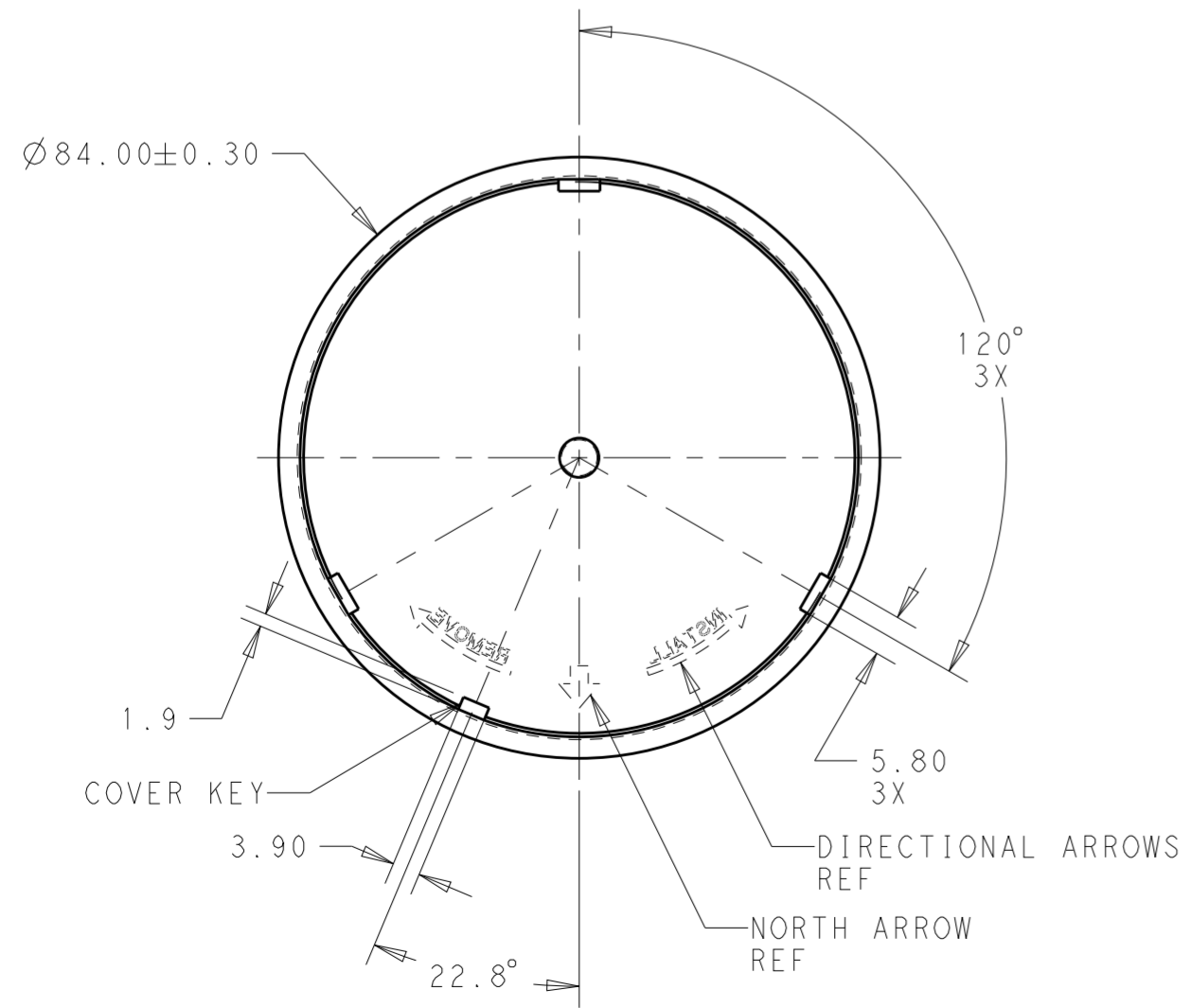
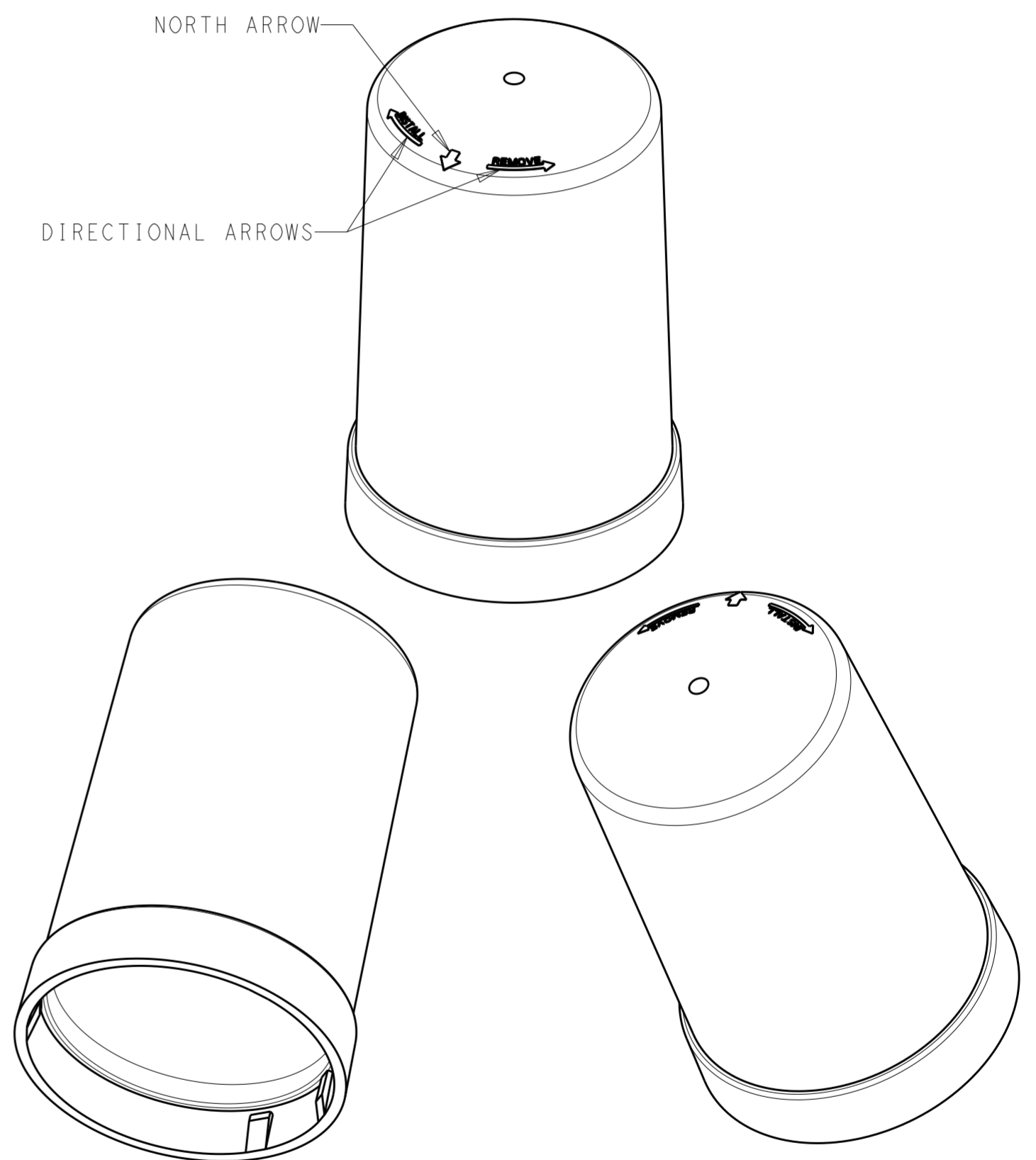


THIS DRAWING IS UNPUBLISHED. RELEASED FOR PUBLICATION 20
 © COPYRIGHT 20 BY - ALL RIGHTS RESERVED.

| REVISIONS | | | | | |
|-----------|-----|---------------------------|-----------|-----|------|
| P | LTR | DESCRIPTION | DATE | DWN | APVD |
| A | | REVISED PER ECO-17-010638 | 21JUL2017 | RK | DD |
| B | | REVISED PER ECR-19-010486 | 10JUL2019 | SR | DD |
| | | | | | |
| | | | | | |



NOTES:
 1 MATERIALS:
 HOUSING: POLYCARBONATE, UV 5VA RATED
 COLOR: SEE TABLE
 2 MATING BASE TE P/N: 2213730-X
 3. THIS PRODUCT HAS NOT COMPLETED VALIDATION TESTING.



| | | |
|---------------------------|------------------------|-------------|
| 78% | TRANSPARENT CLEAR | 1-2306129-1 |
| 24% | TRANSPARENT SMOKE GRAY | 2306129-1 |
| APPROX LIGHT TRANSMISSION | | PART NO. |

| | | | | | |
|--|--|---|-----------------|--|--|
| THIS DRAWING IS A CONTROLLED DOCUMENT. | | DWN J. SHAFFER 07JUL2016 | TE Connectivity | | |
| | | CHK E. HOWARD 07JUL2016 | | | |
| DIMENSIONS: mm | | TOLERANCES UNLESS OTHERWISE SPECIFIED: 0 PLC ±- 1 PLC ±0.2 2 PLC ±0.13 3 PLC ±- 4 PLC ±- ANGLES ±3° FINISH - | | NAME COVER, LIGHT CONTROLLER, TALL, 76 DIA | |
| MATERIAL - | | PRODUCT SPEC 108-32125 APPLICATION SPEC 114-32159 WEIGHT - | | SIZE A2 | |
| | | CUSTOMER DRAWING | | CAGE CODE - | |
| | | SCALE 1:1 | | DRAWING NO C-2306129 | |
| | | SHEET 1 OF 1 | | RESTRICTED TO - | |
| | | | | REV B | |

X-ON Electronics

Largest Supplier of Electrical and Electronic Components

Click to view similar products for [LED Lighting Fixture Accessories](#) category:

Click to view products by [TE Connectivity](#) manufacturer:

Other Similar products are found below :

[XVBC081](#) [1-2315539-1](#) [2306129-1](#) [180997-0001](#) [1-2213996-1](#) [4821](#) [2702312](#) [4775](#) [5012](#) [5014](#) [1301130007](#) [1301120097](#) [1301120099](#)
[1301120101](#) [1301120114](#) [1301120153](#) [1301120154](#) [1301120157](#) [1301120174](#) [1301120110](#) [1301120137](#) [1301120130](#) [1301860719](#)
[1301120131](#) [1301120144](#) [1301120196](#) [1301850471](#) [2702313](#) [2702315](#) [2702316](#) [2702493](#) [2702494](#) [PLD E 400-ME SM](#) [XVBC030](#)
[XVBC14](#) [XVBC21](#) [2213730-1](#) [VFTBCSN1002FT](#) [VFTBCSP0102FT](#) [VFTJCSN0402FT](#) [VFTPCSN1010FT](#) [VFTPCSP0110FT](#) [XVBC00](#)
[XVBC020](#) [1-2311664-1](#) [2702492](#) [2213871-2](#) [2306132-1](#) [2213805-1](#) [1-2306133-1](#)