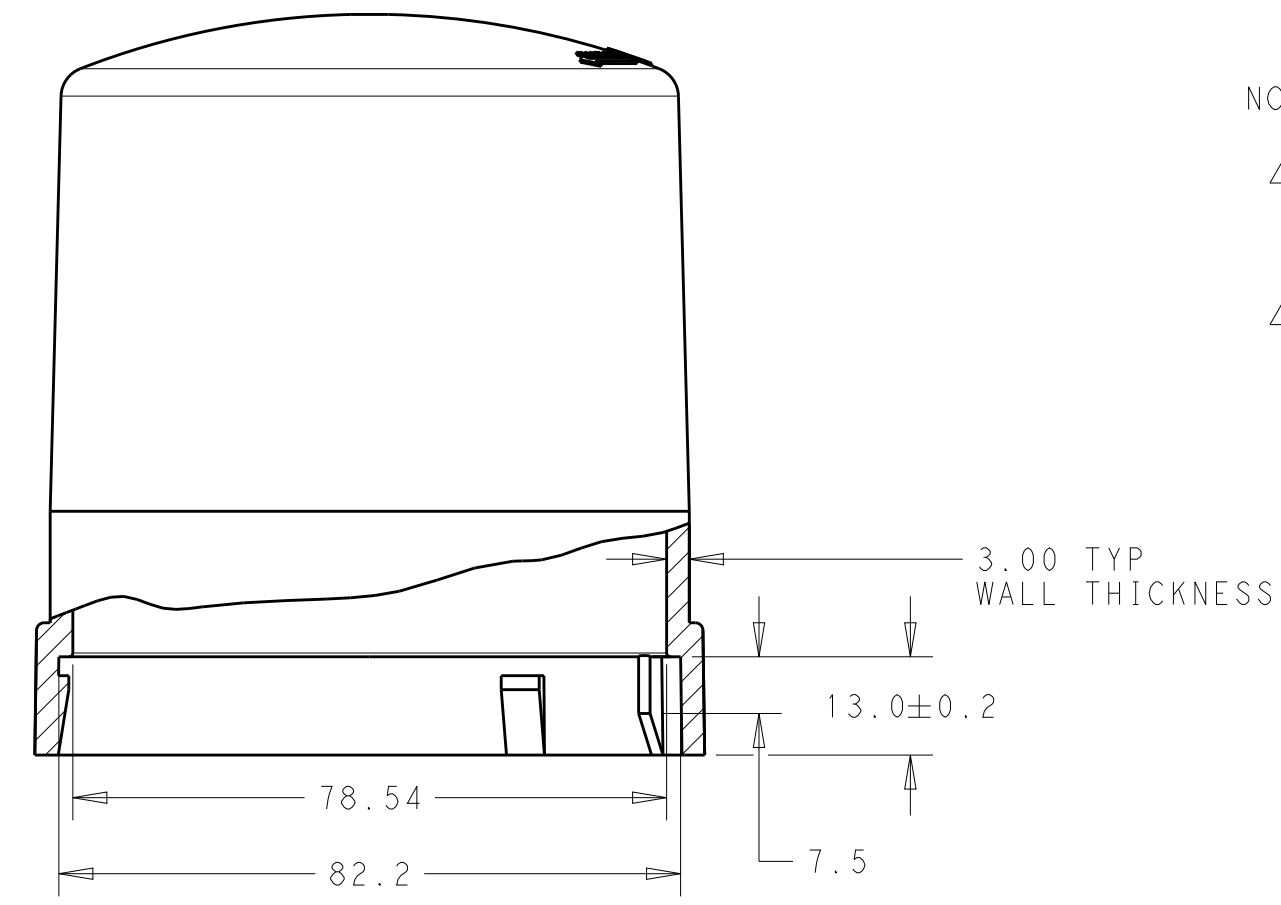
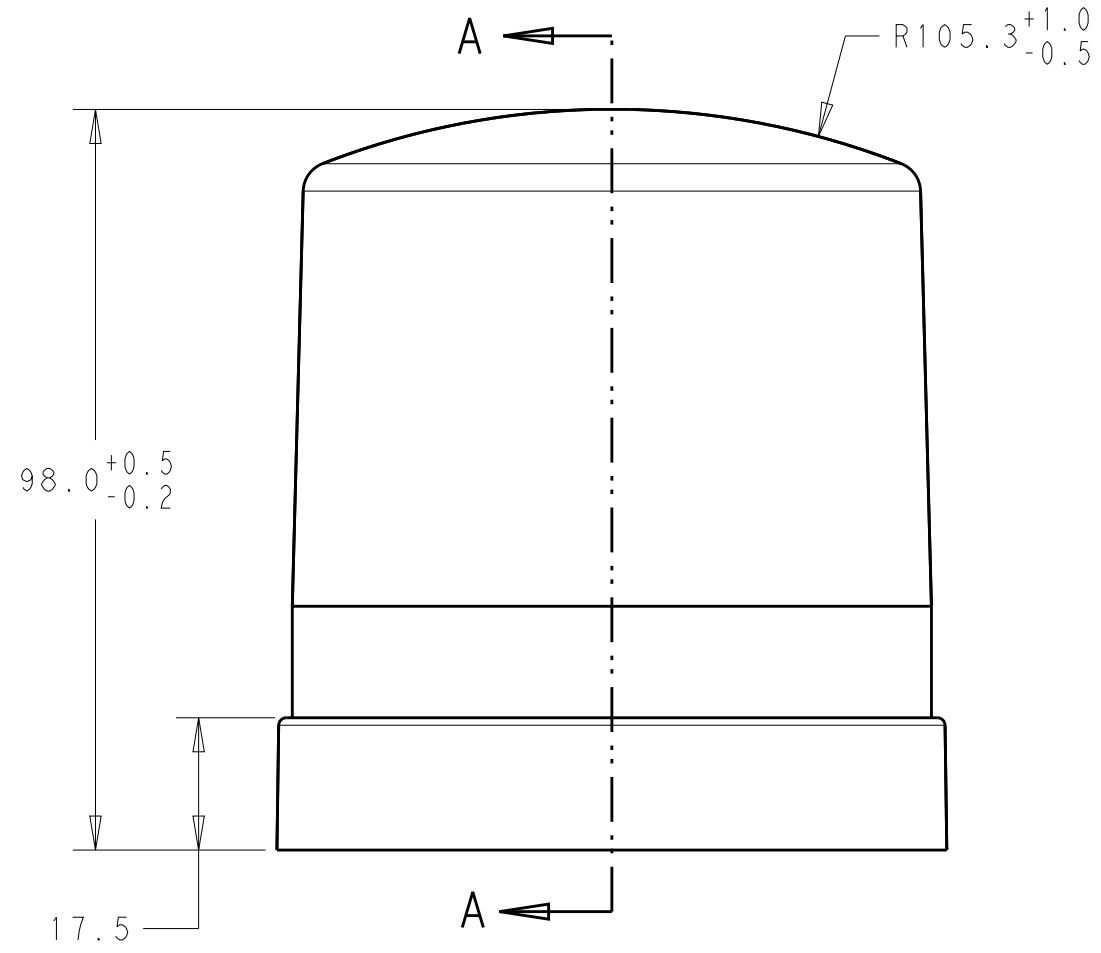
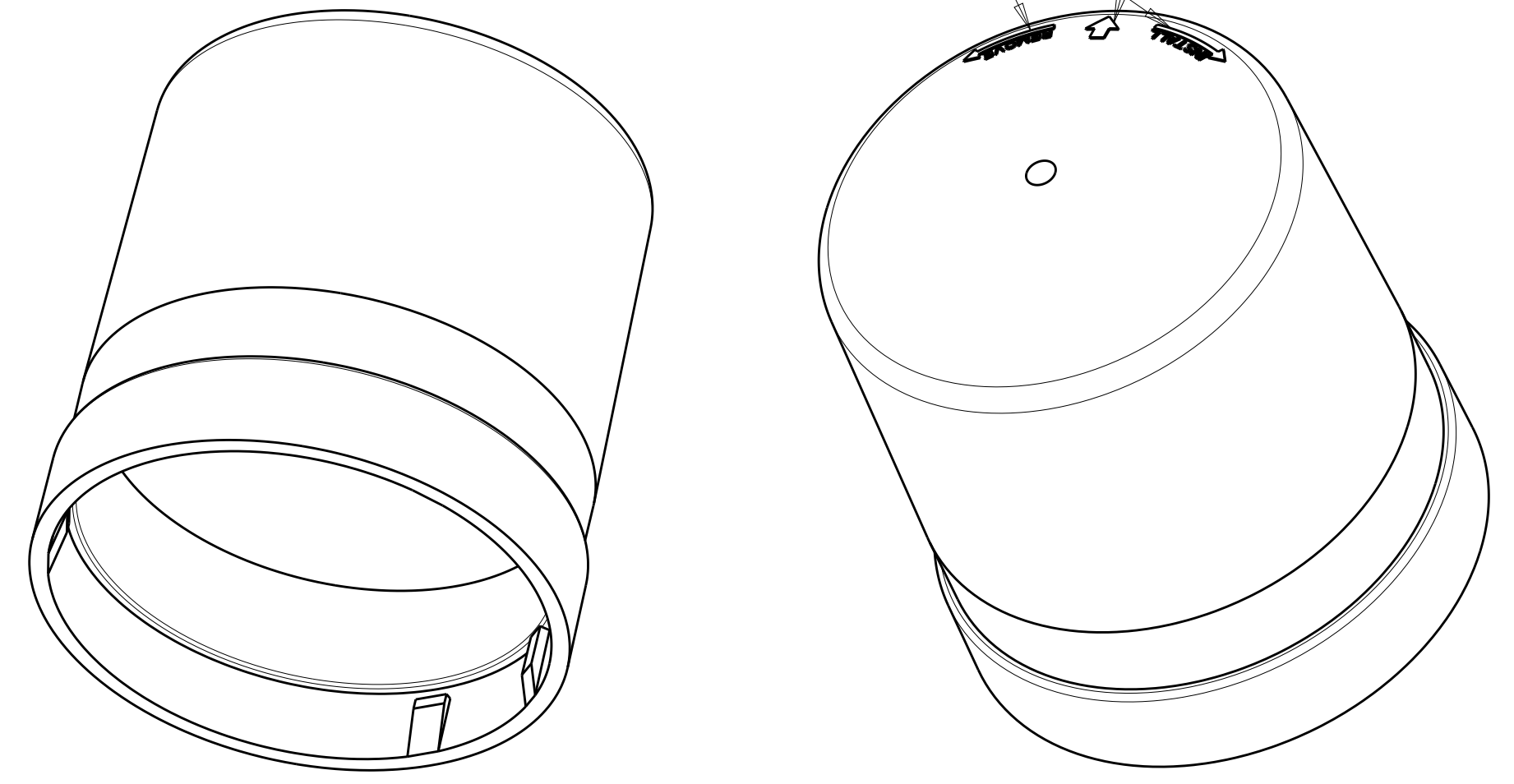
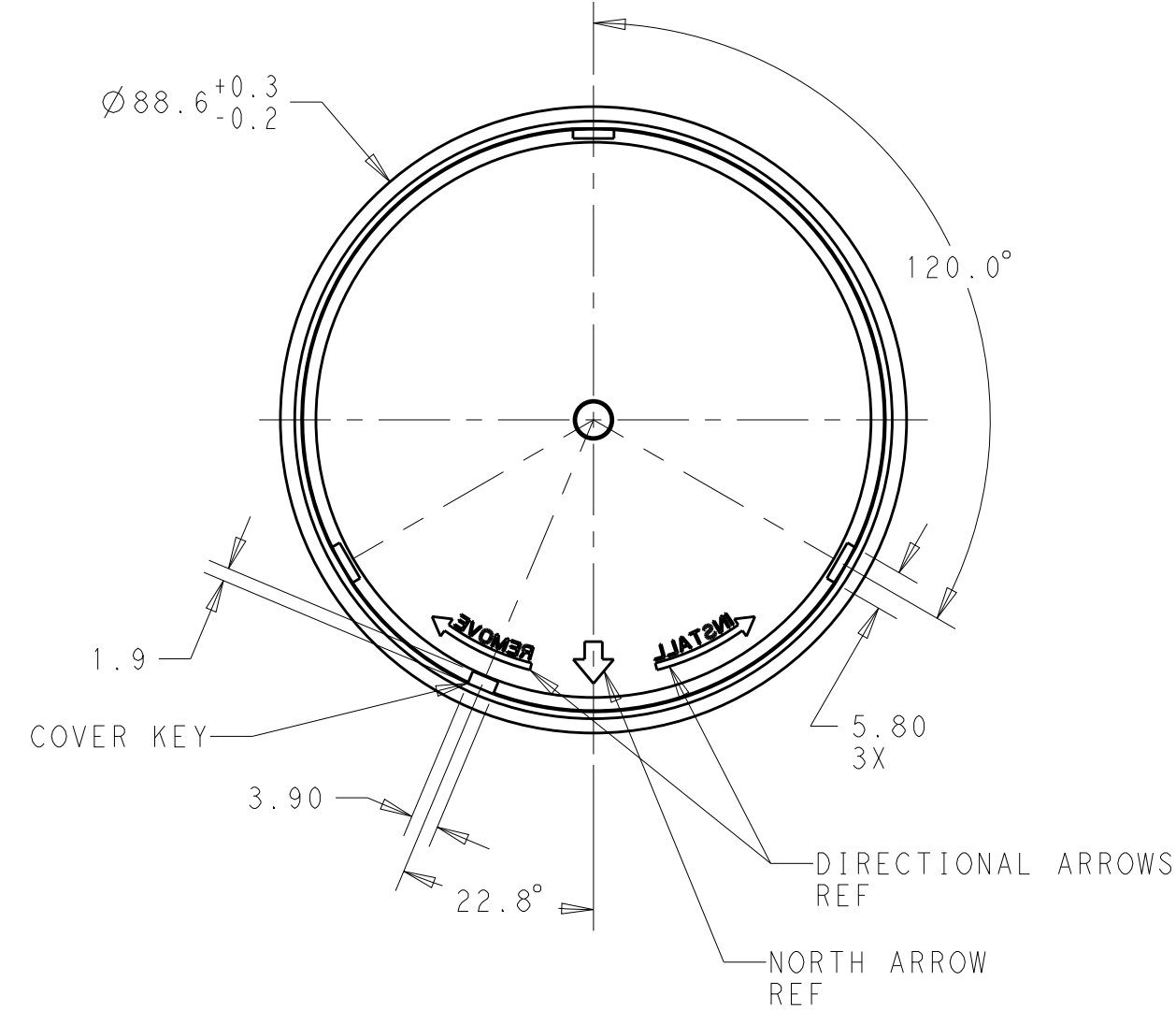


THIS DRAWING IS UNPUBLISHED. RELEASED FOR PUBLICATION 20  
 © COPYRIGHT 20 BY - ALL RIGHTS RESERVED.

| REVISIONS |     |                           |           |     |      |
|-----------|-----|---------------------------|-----------|-----|------|
| P         | LTR | DESCRIPTION               | DATE      | DWN | APVD |
| A         |     | REVISED PER ECO-17-010638 | 21JUL2017 | RK  | DD   |
| A1        |     | REVISED PER ECR-18-010034 | 27JUN2018 | JS  | JL   |
| A2        |     | REVISED PER ECR-19-005743 | 11APR2019 | SS  | DD   |
| B         |     | REVISED PER ECR-19-006995 | 03MAY2019 | JS  | DD   |



NOTES:  
 ⚠ MATERIALS:  
 HOUSING: POLYCARBONATE, UV 5VA RATED  
 COLOR: SEE TABLE  
 ⚠ MATING BASE TE P/N: 2213871-2, 2213871-3, 1-2213871-2.



| APPROXIMATE LIGHT TRANSMISSION | COLOR                  | PART NO.    |
|--------------------------------|------------------------|-------------|
| 70%                            | TRANSPARENT YELLOW     | 1-2306130-2 |
| 78%                            | TRANSPARENT CLEAR      | 1-2306130-1 |
| 26%                            | TRANSLUCENT GRAY       | 2306130-2   |
| 24%                            | TRANSPARENT SMOKE GRAY | 2306130-1   |

THIS DRAWING IS A CONTROLLED DOCUMENT.

|                            |   |
|----------------------------|---|
| DWN: J. SHAFFER 07JUL2016  | TE Connectivity                                 |
| CHK: E. HOWARD 07JUL2016   |   |
| APVD: -                    | NAME: COVER, LIGHT CONTROLLER, 81mm DIA, MEDIUM |
| PRODUCT SPEC: 108-32125    | SIZE: A2  |
| APPLICATION SPEC: 11432159 | CAGE CODE: -                                    |
| MATERIAL: -                | DRAWING NO: C-2306130                           |
| WEIGHT: -                  | RESTRICTED TO: -                                |
| CUSTOMER DRAWING           | SCALE: 1:1 SHEET 1 OF 1 REV B                   |

## X-ON Electronics

Largest Supplier of Electrical and Electronic Components

*Click to view similar products for [Lighting Connectors](#) category:*

*Click to view products by [TE Connectivity](#) manufacturer:*

Other Similar products are found below :

[293300-7](#) [293660-5](#) [CNX\\_H03\\_NTP](#) [30-9767-BU](#) [3605](#) [3-21030-1](#) [ZCH-110-RGB-I](#) [503471-0290](#) [ZCH-110-RGB-J](#) [217-0716-200](#)  
[1954563-1](#) [1-293657-2](#) [2834036-1](#) [2834037-1](#) [1-2213222-4](#) [2-2213222-4](#) [2213222-4](#) [2834122-3](#) [2834122-5](#) [2834135-2](#) [FLA-R4142-30](#)  
[FLA-R4162-30](#) [FLA-R2142-30](#) [FLA-R2141-30](#) [FLA-R2162-30](#) [FLA-R2161-30](#) [FLA-R0161-30](#) [FLA-R0141-30](#) [FLA-R0142-30](#) [FLA-](#)  
[R0162-30](#) [FLA-C00-00](#) [DGA00010553](#) [CNXV04NTP](#) [104128-0610](#) [503485-0000 \(Cut Strip\)](#) [503485-0000 \(Loose Piece\)](#) [503485-0000](#)  
[\(MINI Reel\)](#) [1-2834074-2](#) [1-2834074-3](#) [1357-AC PLUG W2C \(CHINA\)](#) [1357-AC PLUG W2 \(USA\)](#) [104266-0110](#) [CNXV02NTP](#) [2106212-1](#)  
[2-2834074-2](#) [104266-0210](#) [293470-1](#) [293651-2](#) [293651-4](#) [1-2834006-2](#)