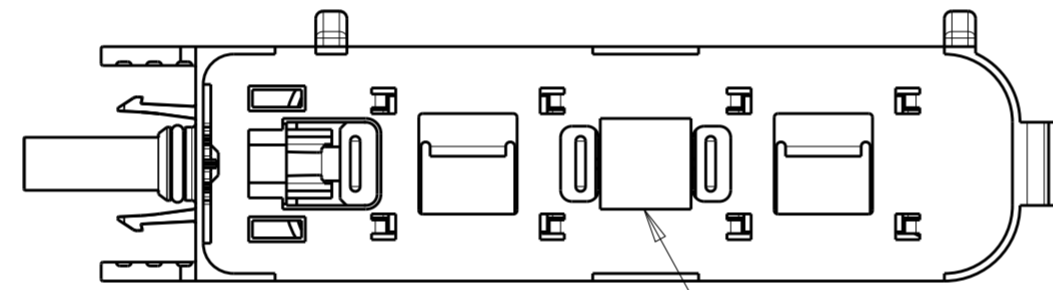
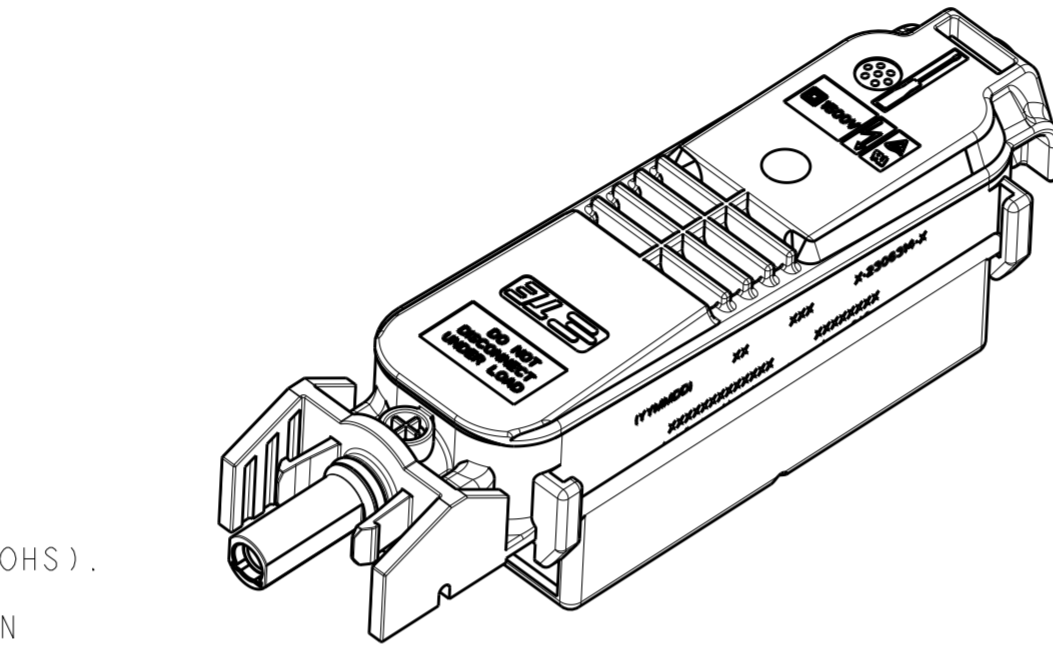


THIS DRAWING IS UNPUBLISHED. RELEASED FOR PUBLICATION  
 © COPYRIGHT copyright.d8Te- ALL RIGHTS RESERVED.

REVISIONS					
P	LTR	DESCRIPTION	DATE	DWN	APVD
A		RELEASED FOR PRODUCTION	23OCT2017	RK	PO
B		REVISED PER ECR-18-017215	29NOV2018	SR	MZ

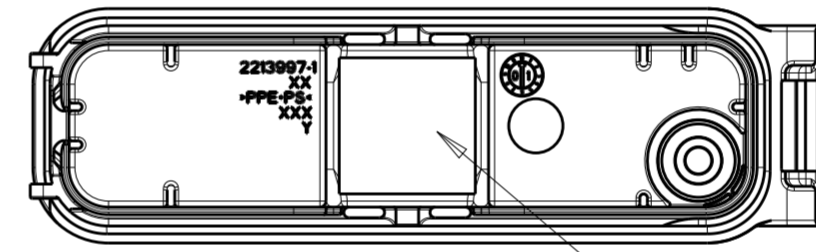
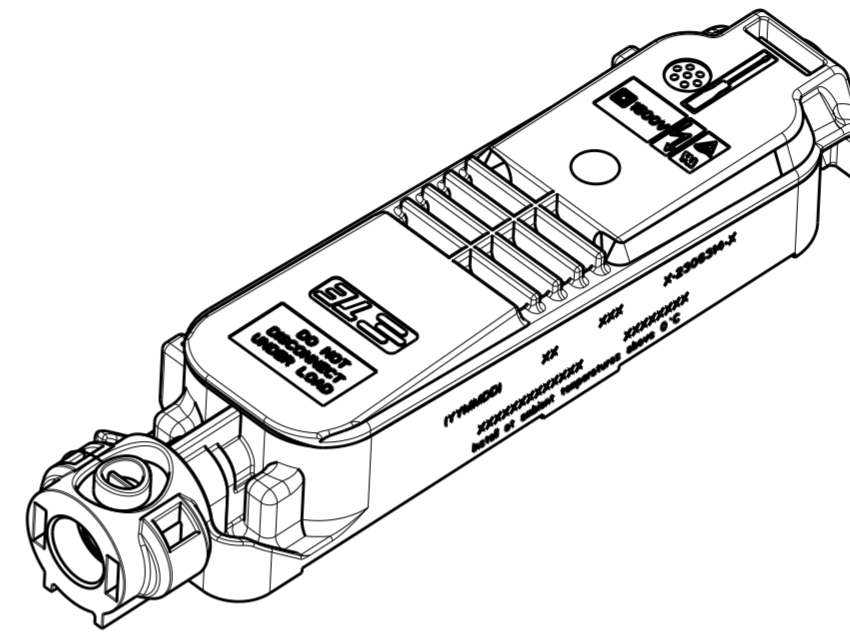
NOTES:

- 1 LID NOT ASSEMBLED WITH LOWER PART. ENCLOSED LOOSELY
- 2 FLAP NOT ASSEMBLED WITH LOWER PART. ENCLOSED LOOSELY
- 3 PART NUMBER.
- 4 PRODUCTION DATE (YYMMDD)
- 5 MANUFACTURING LOCATION CODE.
- 6 FOIL CLIP INSTALLED ON BOX CONTACT RAILS.
- 7 MODEL CODE ACCORDING TE-SPEC. 404-74000-1
- 8 CONSECUTIVE SERIAL NUMBER
- 9 TEST EQUIPMENT NUMBER
- 10 DIODES WELDED ON CONTACT RAIL
- 11. MUST COMPLY WITH DIRECTIVE 2002/95/EC (ROHS).
- 12. THIS PRODUCT HAS NOT COMPLETED VALIDATION TESTING.



MOUNTING TAPE

BOTTOM VIEW OF TYPICAL ASSEMBLY WHEN MOUNTING TAPE IS APPLIED



THERMAL INTERFACE MATERIAL

BOTTOM VIEW OF LID SUBASSEMBLY WHEN THERMAL INTERFACE MATERIAL IS APPLIED

BLACK	PPE+PS	EDGE FLAP	12	2
TIN OVER NICKEL	COPPER ALLOY	INTERFACE CONTACT-SOCKET	11	
TIN OVER NICKEL	COPPER ALLOY	INTERFACE CONTACT-PIN	10	
-	-	THERMAL INTERFACE MATERIAL	9	
-	-	BYPASS DIODE: TYPE SL2020A	8	
GRAY	PPE+PS	MEMBRANE RETAINER	7	
-	-	MEMBRANE VENT	6	
PLAIN	STAINLESS STEEL	FOIL CLIP	5	6
TIN	COPPER ALLOY	CONTACT RAIL	4	
BLACK	PPE+PS	BOX, LOWER HOUSING	3	
RED	SILICONE	O-RING SEAL	2	
BLACK	PPE+PS	BOX, LID	1	1
COLOR/FINISH	MATERIAL	DESCRIPTION	ITEM NO.	

PVEDGE2GGA1V_1	36.0	NORTH/SOUTH	YES	YES	3-2306314-5	
PVEDGE2DGA1V_1	55.2	NORTH/SOUTH	YES	YES	3-2306314-2	
PVEDGE2FGA1V_1	58.7	NORTH/SOUTH	YES	YES	3-2306314-1	
PVEDGE2GGA1V_1	36.0	NORTH/SOUTH	NO	YES	2-2306314-5	
PVEDGE2DGA1V_1	55.2	NORTH/SOUTH	NO	YES	2-2306314-2	
PVEDGE2FGA1V_1	58.7	NORTH/SOUTH	NO	YES	2-2306314-1	
PVEDGE2GGA1T_1	36.0	NORTH/SOUTH	YES	NO	1-2306314-5	
PVEDGE2DGA1T_1	55.2	NORTH/SOUTH	YES	NO	1-2306314-2	
PVEDGE2FGA1T_1	58.7	NORTH/SOUTH	YES	NO	1-2306314-1	
PVEDGE2GGA1T_1	36.0	NORTH/SOUTH	NO	NO	2306314-5	
PVEDGE2DGA1T_1	55.2	NORTH/SOUTH	NO	NO	2306314-2	
PVEDGE2FGA1T_1	58.7	NORTH/SOUTH	NO	NO	2306314-1	
MODEL CODE	7	DIM X	PV PANEL FOIL DIRECTION	MOUNTING TAPE	THERMAL INTERFACE MATERIAL	PART NO.

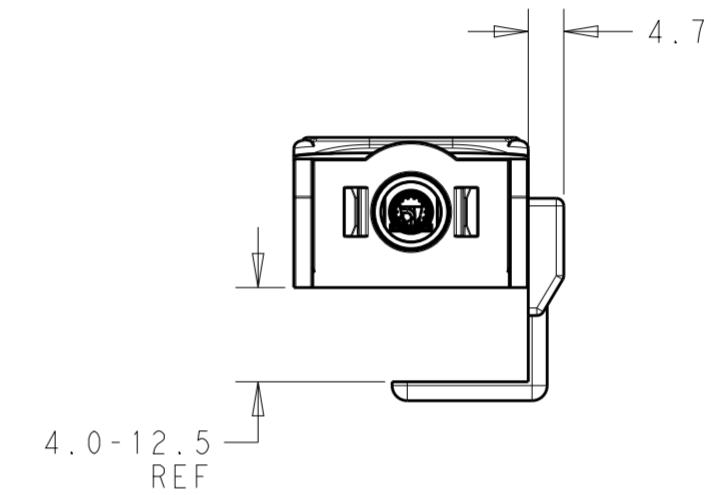
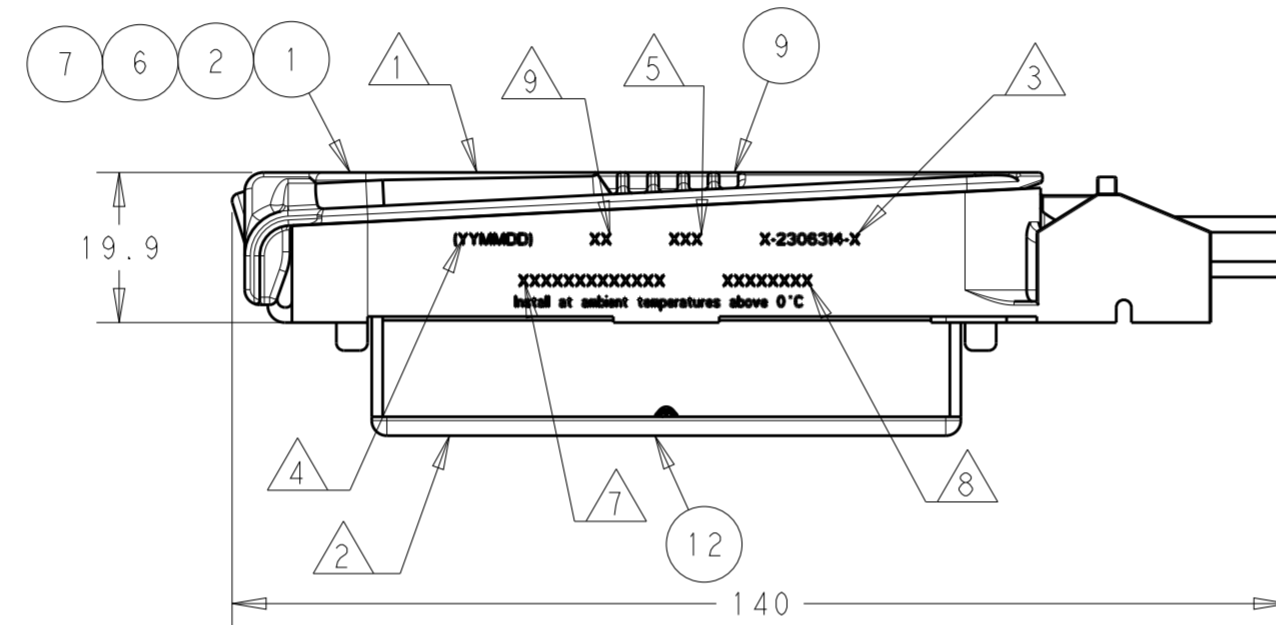
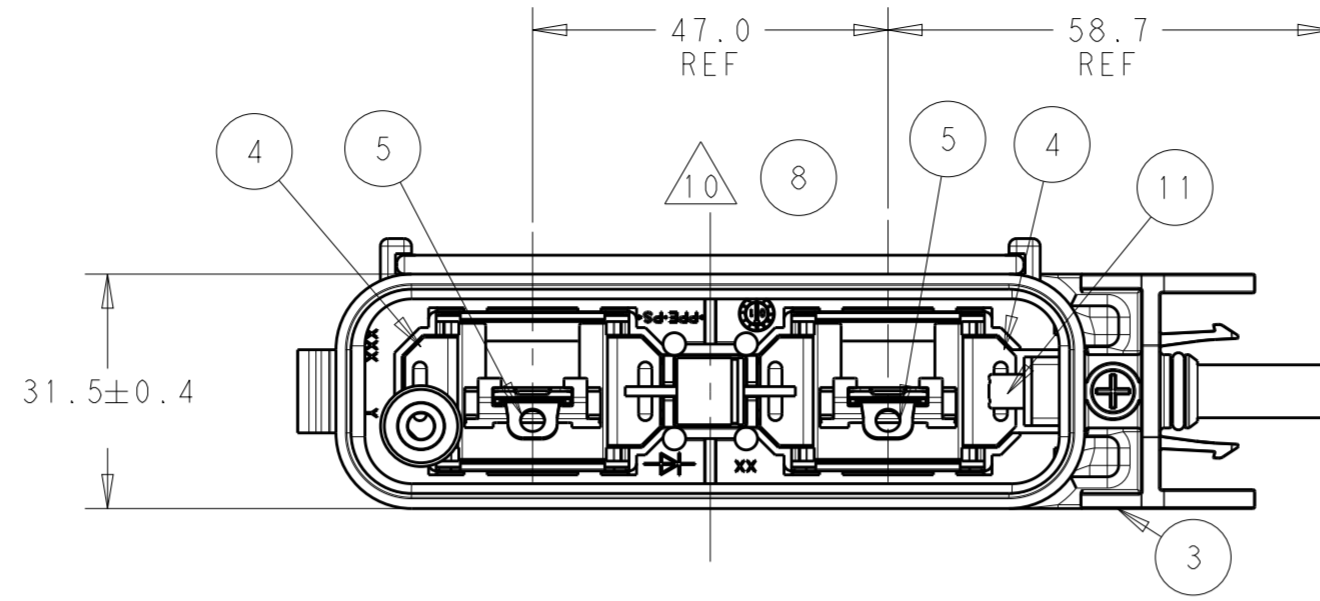
THIS DRAWING IS A CONTROLLED DOCUMENT.

DIMENSIONS: mm	TOLERANCES UNLESS OTHERWISE SPECIFIED:	DWN RAVLS 16 JUL 2016	TE Connectivity PV EDGE ASSEMBLY, WITH FLAP, S-CLIP
	0 PLC ±0.50	CHK GINGRICH CHUCK 16 JUL 2016	
	1 PLC ±0.25	APVD GINGRICH CHUCK 16 JUL 2016	
	2 PLC ±0.13	PRODUCT SPEC 108-32122	
MATERIAL	3 PLC ±	APPLICATION SPEC 114-32157	SIZE A2
	4 PLC ANGLES ±	WEIGHT	CAGE CODE -
	FINISH -	CUSTOMER DRAWING	DRAWING NO. C-2306314
		SCALE 5:1	SHEET 1 OF 3
		REV B	

THIS DRAWING IS UNPUBLISHED. RELEASED FOR PUBLICATION  
 © COPYRIGHT copyright.d8te- ALL RIGHTS RESERVED.

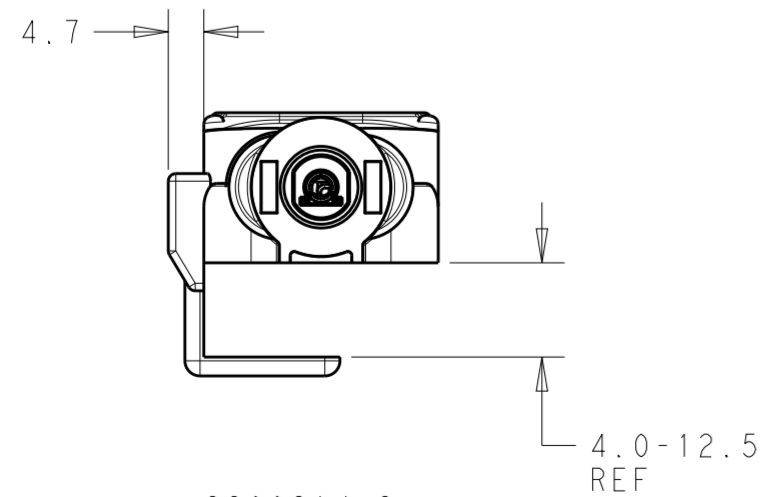
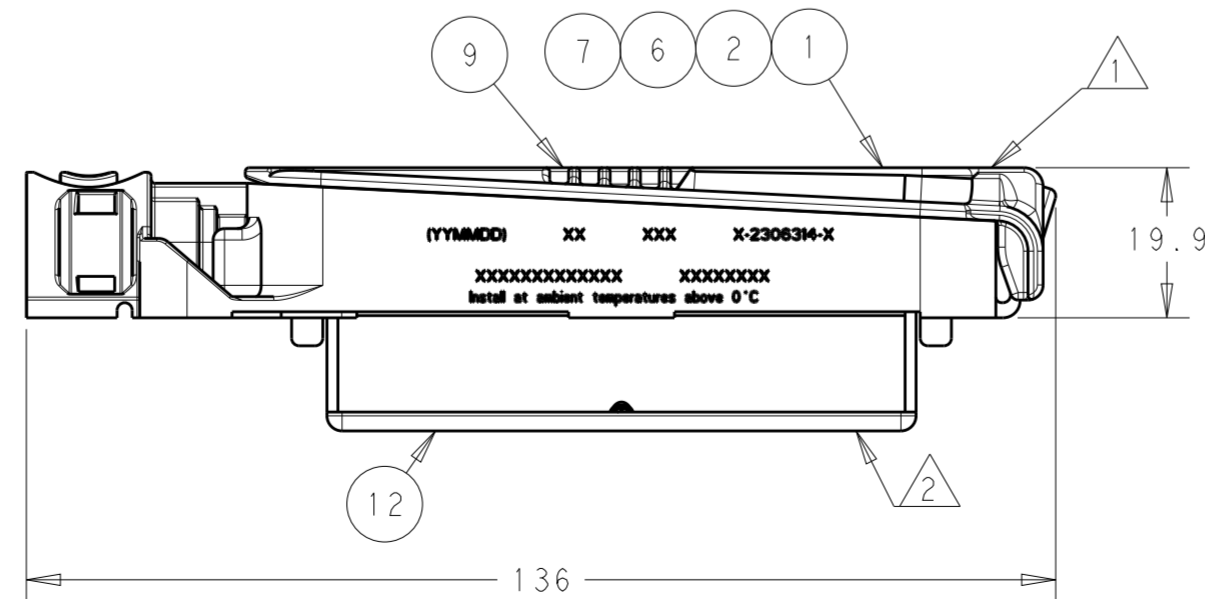
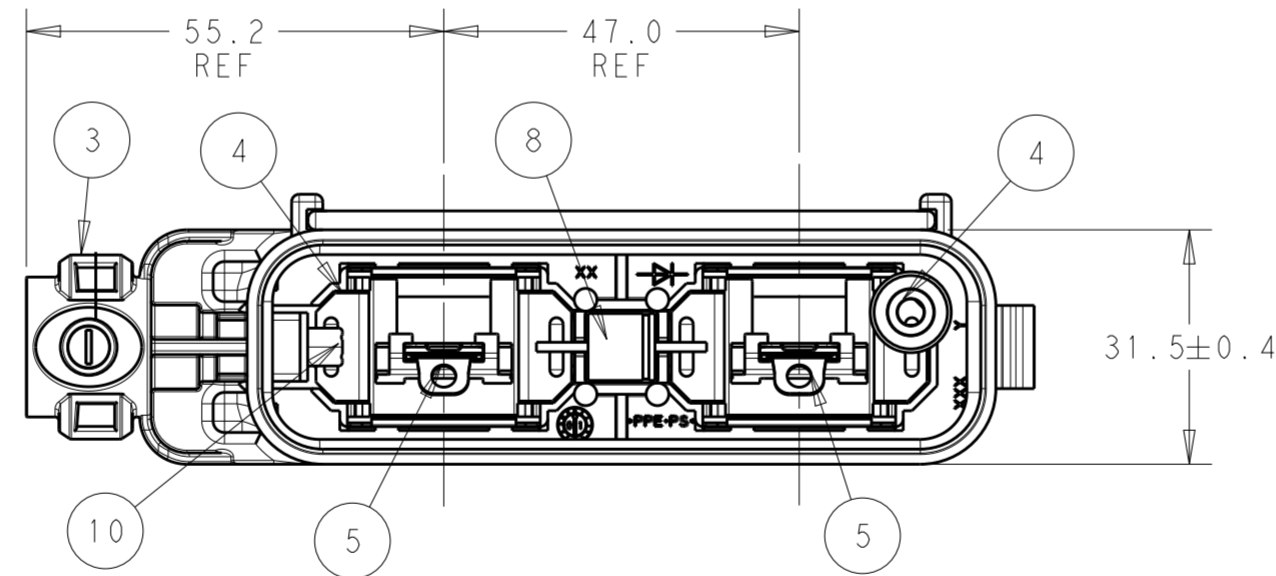
REVISIONS				
P	LTR	DESCRIPTION	DATE	APVD
-		SEE SHEET 1	-	-

LID NOT SHOWN FOR REFERENCE ONLY



2306314-1  
 1-2306314-1  
 2-2306314-1  
 3-2306314-1  
 SHOWN

LID NOT SHOWN FOR REFERENCE ONLY



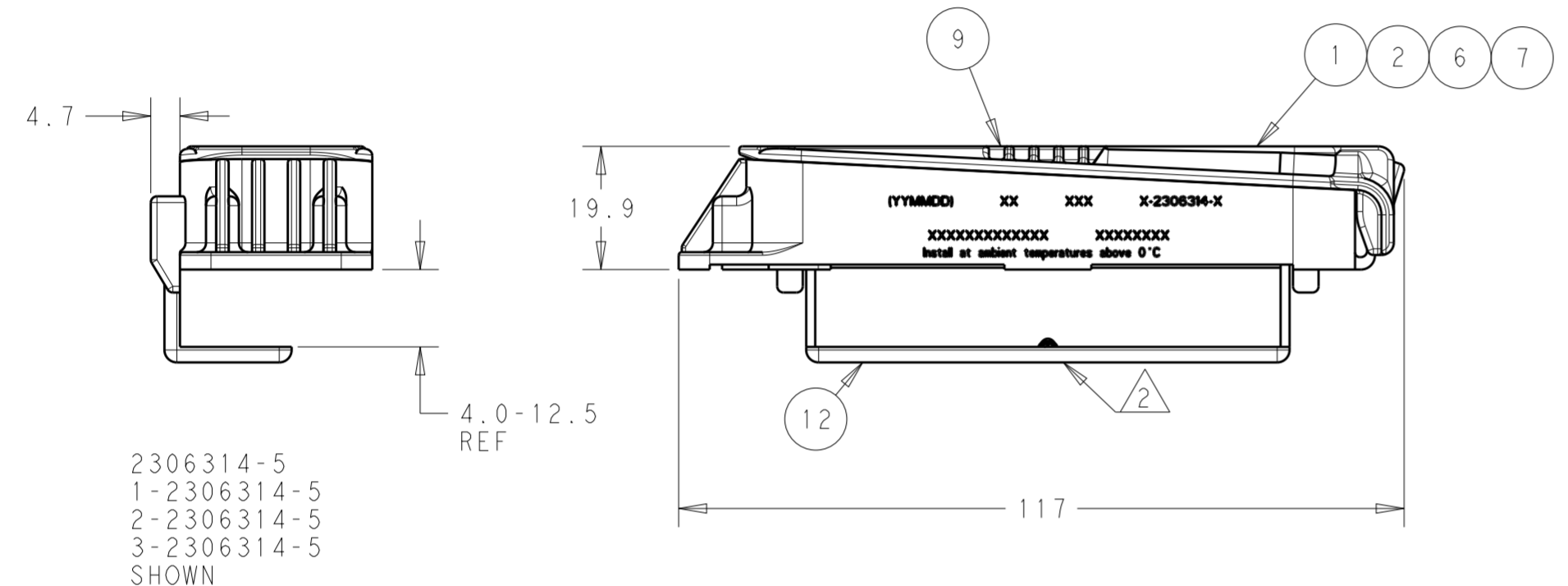
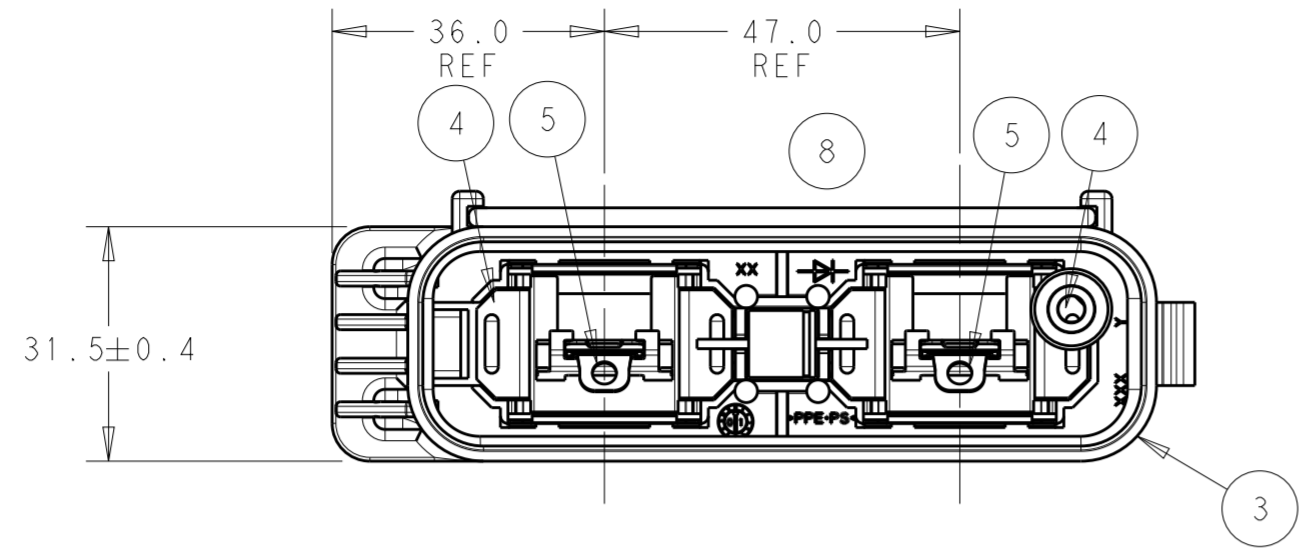
2306314-2  
 1-2306314-2  
 2-2306314-2  
 3-2306314-2  
 SHOWN

THIS DRAWING IS A CONTROLLED DOCUMENT.		DWN RAVI.S 16 JUL 2016	TE Connectivity	
DIMENSIONS: mm		CHK GINGRICH CHUCK 16 JUL 2016		
TOLERANCES UNLESS OTHERWISE SPECIFIED:		APVD GINGRICH CHUCK 16 JUL 2016	NAME PV EDGE ASSEMBLY, WITH FLAP, S-CLIP	
0 PLC ±0.50		PRODUCT SPEC 108-32122	SIZE A2	
1 PLC ±0.25		APPLICATION SPEC 114-32157	CAGE CODE -	
2 PLC ±0.13		WEIGHT -	DRAWING NO C-2306314	
3 PLC ±		CUSTOMER DRAWING	RESTRICTED TO -	
4 PLC ±		SCALE 5:1	SHEET 2 OF 3	
ANGLES ±			REV B	
FINISH -				

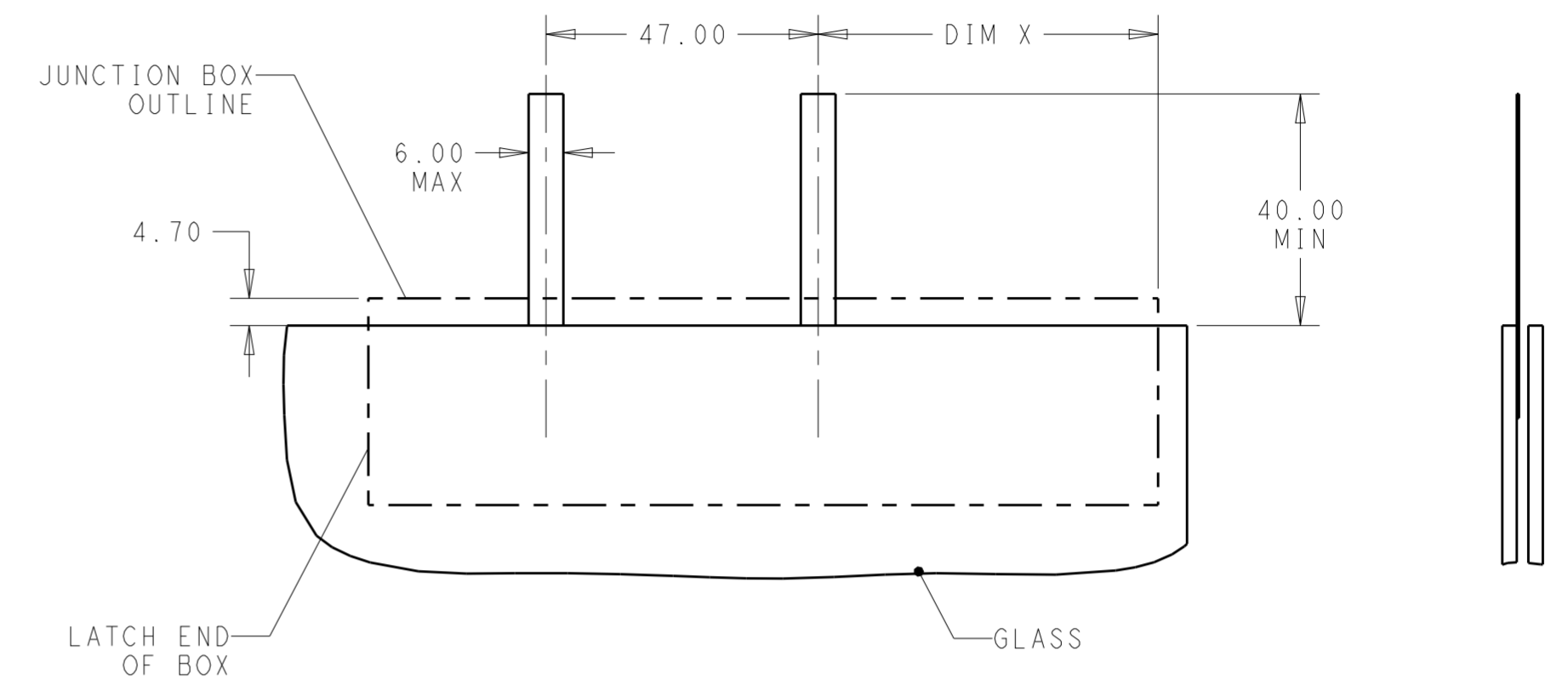
THIS DRAWING IS UNPUBLISHED. RELEASED FOR PUBLICATION  
 © COPYRIGHT copyright.d8te- ALL RIGHTS RESERVED.

REVISIONS				
P	LTR	DESCRIPTION	DATE	APVD
-	-	SEE SHEET 1	-	-

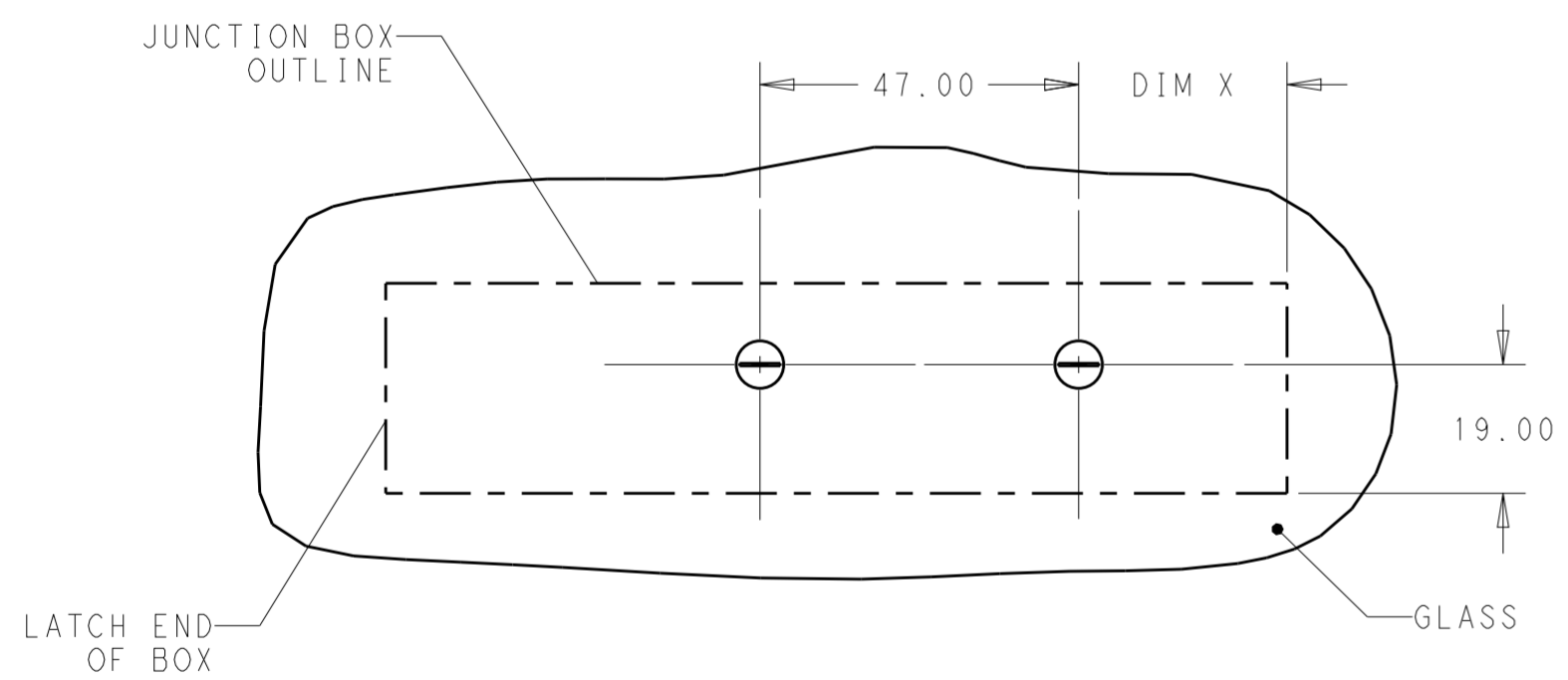
LID NOT SHOWN FOR REFERENCE ONLY



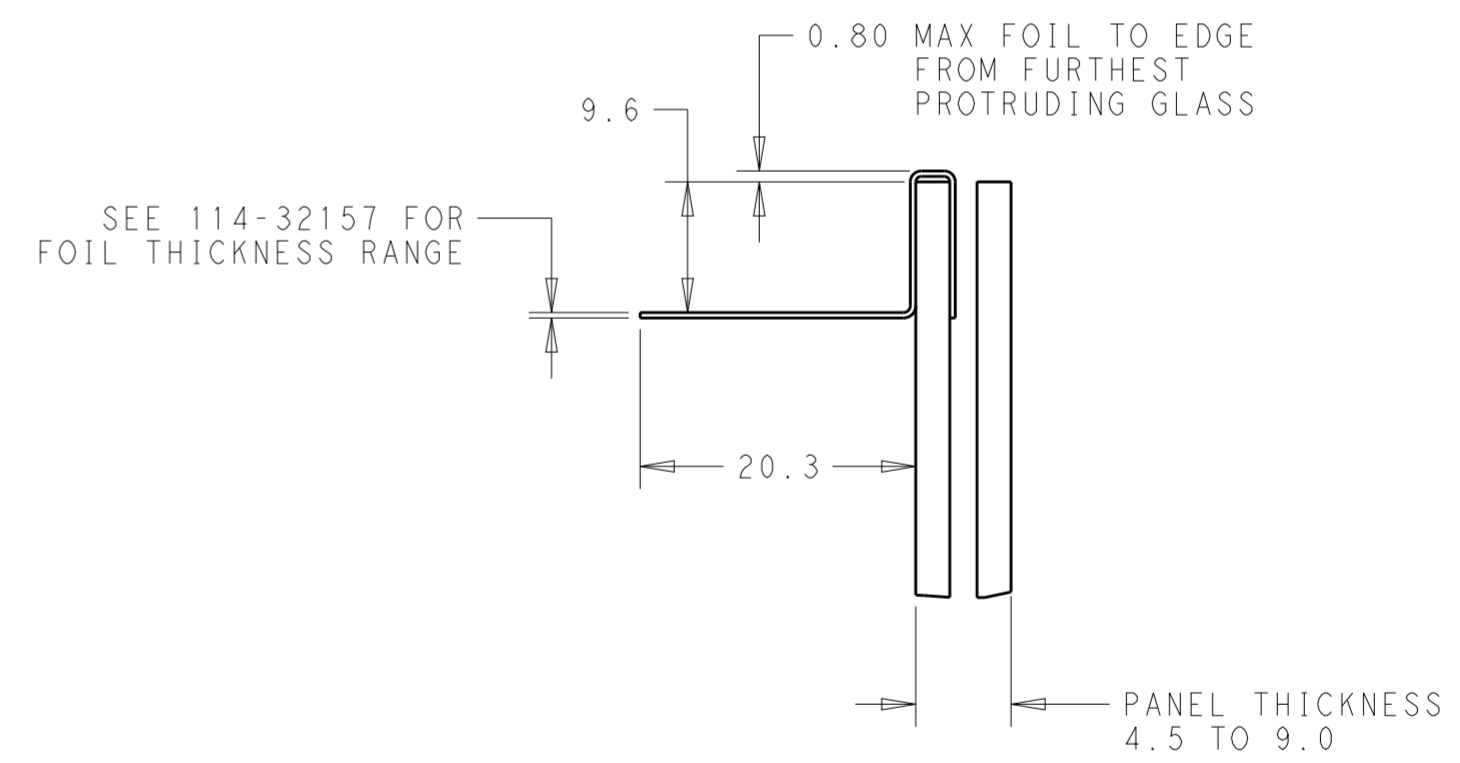
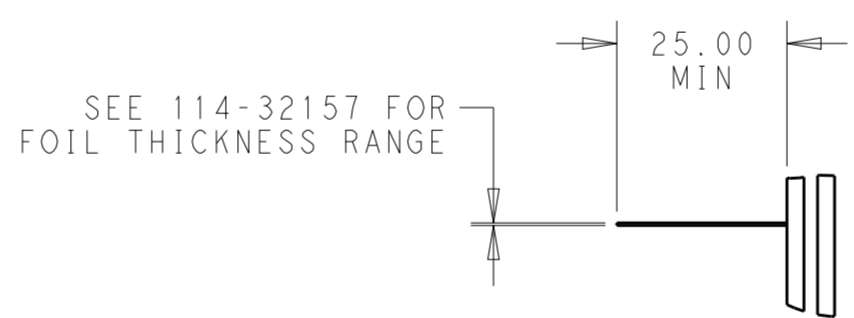
- 2306314-5
  - 1-2306314-5
  - 2-2306314-5
  - 3-2306314-5
- SHOWN



RECOMMENDED EDGE MOUNT



RECOMMENDED NON-EDGE MOUNT  
(NORTH-SOUTH PV PANEL FOIL ORIENTATION)



AS FORMED READY FOR ASSEMBLY OF JUNCTION BOX

THIS DRAWING IS A CONTROLLED DOCUMENT.		DWN RAVI.S 16 JUL 2016	TE Connectivity	
DIMENSIONS: mm		CHK GINGRICH CHUCK 16 JUL 2016		
TOLERANCES UNLESS OTHERWISE SPECIFIED:		APVD GINGRICH CHUCK 16 JUL 2016	NAME PV EDGE ASSEMBLY, WITH FLAP, S-CLIP	
0 PLC ±0.50		PRODUCT SPEC 108-32122	SIZE A2	
1 PLC ±0.25		APPLICATION SPEC 114-32157	CAGE CODE -	
2 PLC ±0.13		WEIGHT -	DRAWING NO C-2306314	
3 PLC ±		CUSTOMER DRAWING	RESTRICTED TO -	
4 PLC ±		SCALE 5:1	SHEET 3 OF 3	
ANGLES ±		REV B		
FINISH -				

## X-ON Electronics

Largest Supplier of Electrical and Electronic Components

*Click to view similar products for [Solar Connectors / Photovoltaic Connectors](#) category:*

*Click to view products by [TE Connectivity](#) manufacturer:*

Other Similar products are found below :

[1740699-7](#) [1971861-4](#) [1971131-4](#) [1971858-3](#) [1971861-3](#) [PV-090508-F03](#) [PV-090508-M10](#) [PV-090510-F03](#) [PV-CM-S 2 5-6 \(-\)](#) [2270184-3](#)  
[2270154-2](#) [2270226-4](#) [PV-090508-M06-N](#) [1987558-2](#) [PV-090506-F03](#) [UTXPM](#) [UTXPF](#) [UTXCMB6AM](#) [1627092](#) [1017635](#) [1017636](#) [1-](#)  
[2306314-1](#) [1-2306314-2](#) [1302440201](#) [2-1971862-2](#) [H4CMC6DM](#) [1705996](#) [1705995](#) [1971858-2](#) [5-2306317-2](#) [1704926](#) [H4CFC4DIS](#)  
[H4CMC4DC](#) [H4CFC4DC](#) [H4CMC4DM](#) [H4CFC4DM](#) [H4CFC6DM](#) [H4CFM2DI](#) [H4CFM6DI](#) [H4CMC2DI](#) [H4CMC8DM](#) [H4CMM6DI](#)  
[H4CMC4DMS](#) [H4CMC4DIS](#) [H4PF](#) [H4PM](#) [PWJ-03BMMB-LL8001](#) [UTXCFA0AM](#) [UTXCFA4BMH](#) [UTXCMA0AM](#)