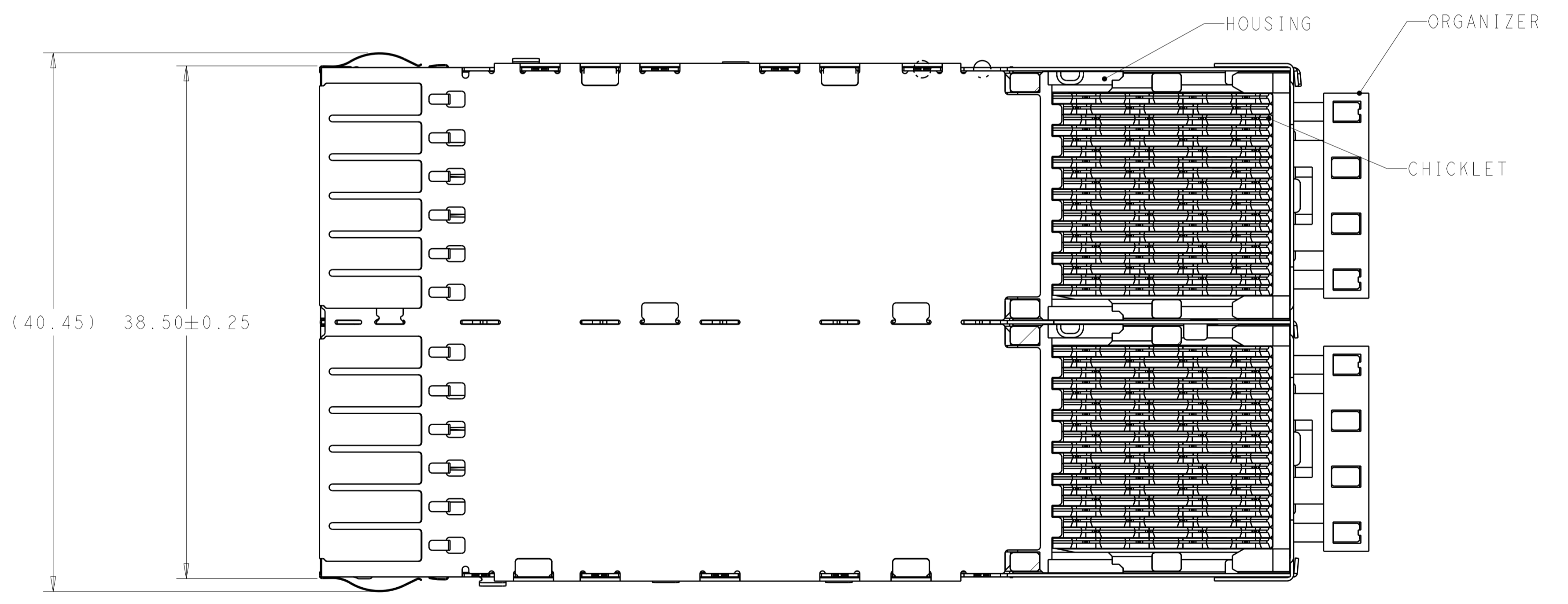
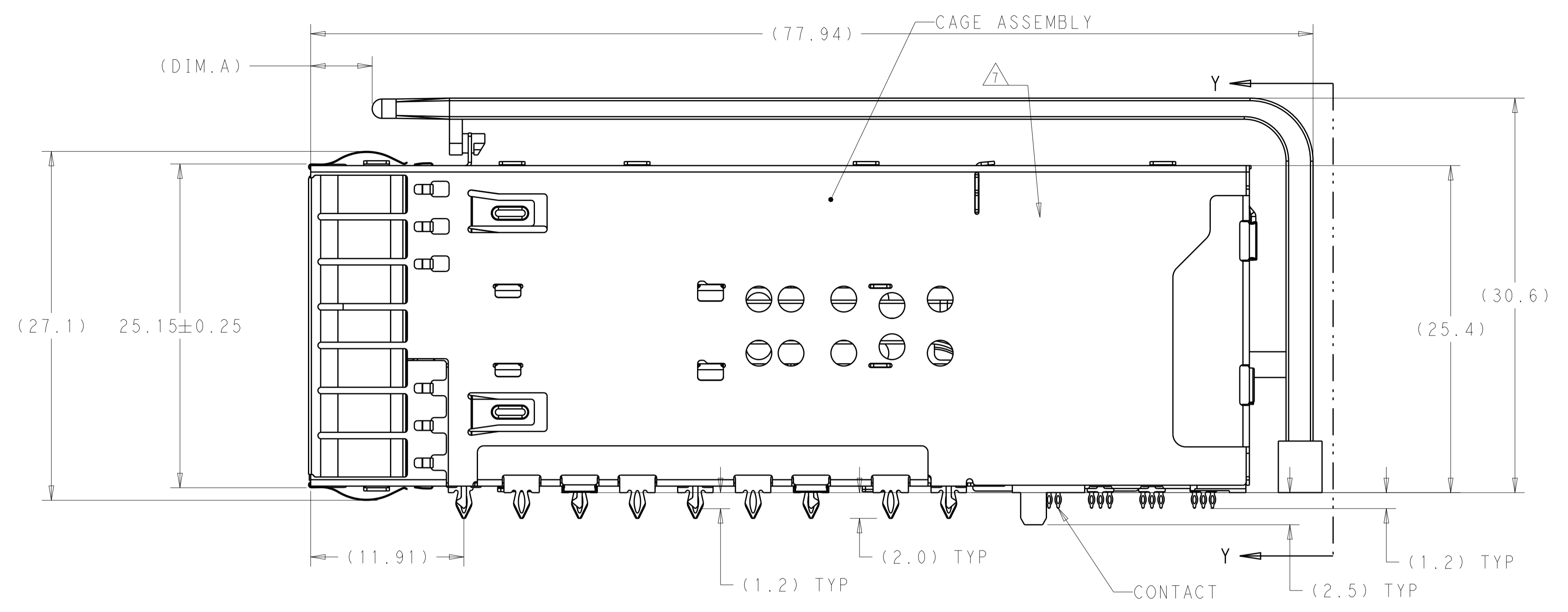
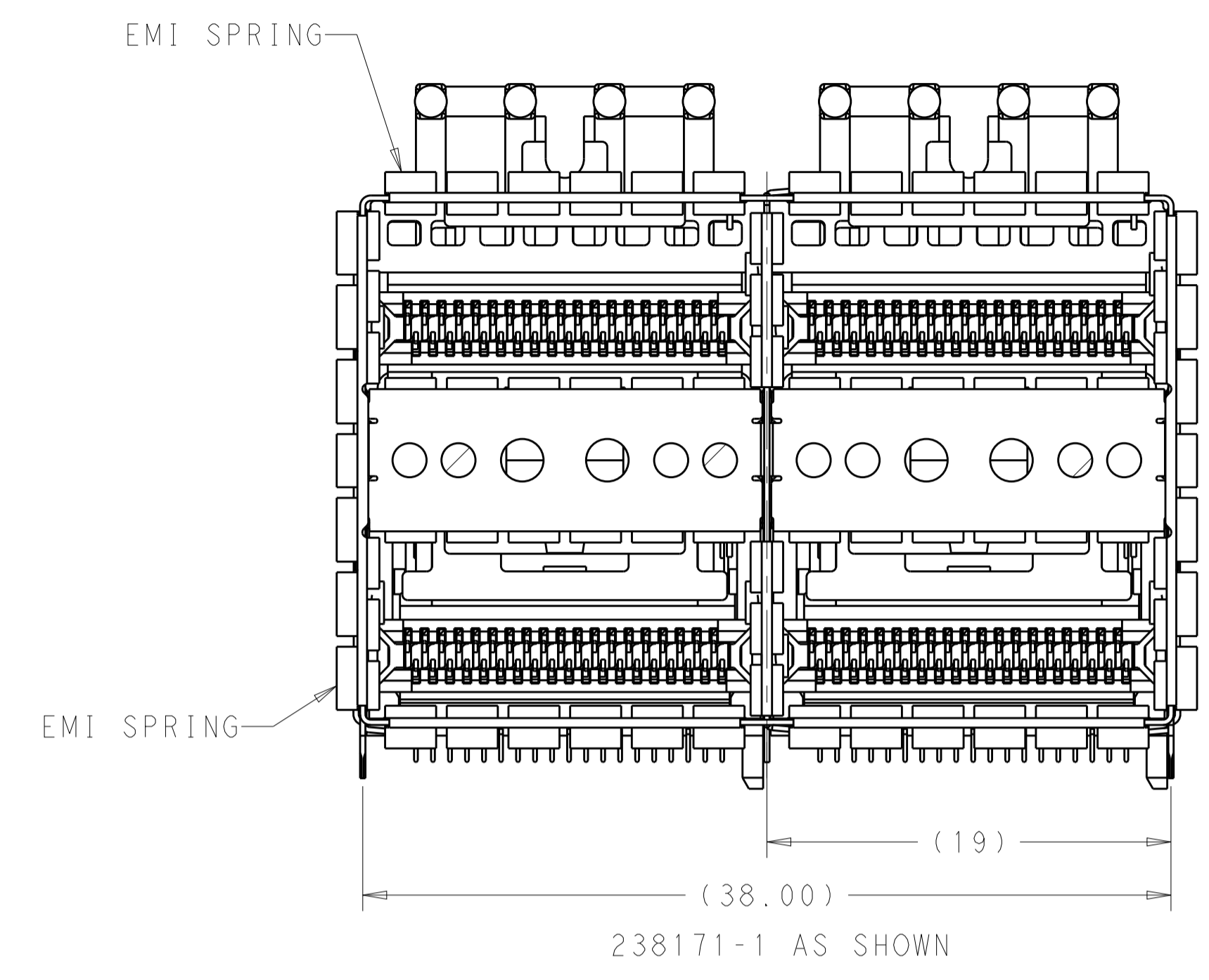


LOC	DIST	REVISIONS			
P	LTN	DESCRIPTION	DATE	DMN	APVD
C		REVISED PER ECO-18-020051	24DEC2018	TX	SH
D		REVISED PER ECR-20-014390	14OCT2020	RM	SH
D1		REVISED PER ECO-21-000016	04JAN2021	SH	SZ

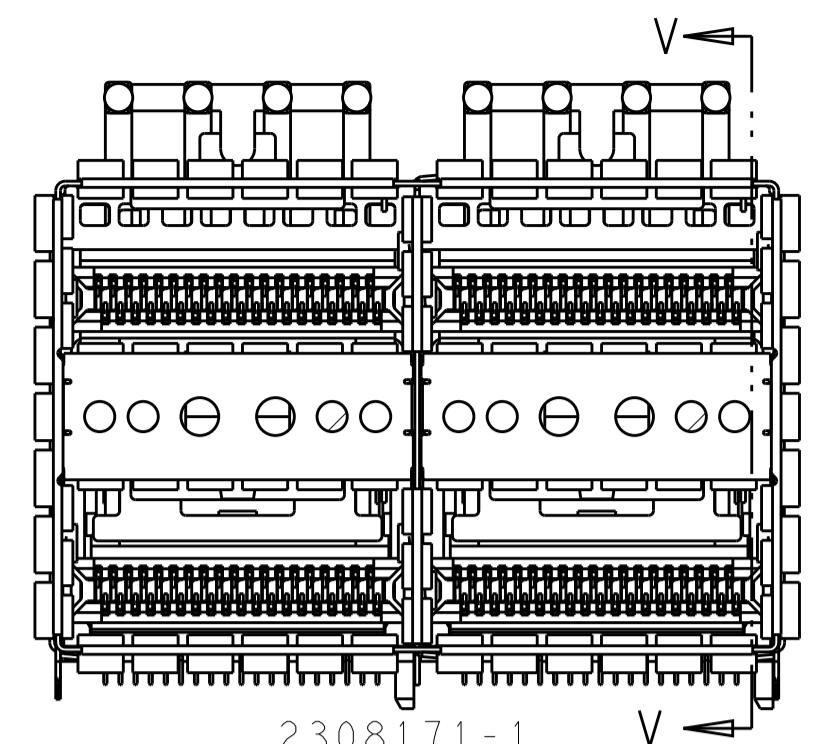


- MATERIALS:
 CAGE ASSEMBLY- NICKEL SILVER ALLOY PER ASTM B 122.
 EMI SPRING- COPPER ALLOY, NICKEL PLATED.
 HOUSING- POLYESTER LCP WITH 94V-0.
 CHICKLET- POLYESTER LCP WITH 94V-0.
 CONTACT- COPPER ALLOY.
 LIGHTPIPE- POLYCARBONATE WITH 94V-0.
- CONTACT FINISH: 0.76µm MIN GOLD ON MATING AREA, 0.7-1.5µm MATT TIN ON COMPLIANT AREA, ALL OVER 1.27µm MIN NICKEL.
- DATUM AND BASIC DIMENSION ESTABLISHED BY CUSTOMER.
- MINIMUM PCB THICKNESS OF 3.0 FOR BELLY TO BELLY APPLICATION.
- THE ENTIRE AREA OF THE CONNECTOR FOOTPRINT, INDICATED BY THE DASHED LINE, TO BE CONSIDERED THE KEEPOUT AREA FOR COMPONENTS AND TRACES.
- CROSS-HATCHED AREAS REPRESENT ZONES ON THE PCB THAT COME IN CONTACT WITH OR BE IN CLOSE PROXIMITY TO THE PLASTIC HOUSING OR THE CONNECTOR CAGE. INDICATED AREAS TO BE CONSIDERED TRACE FREE.
- PART NUMBER AND DATE CODE MADE IN APPROXIMATE AREA SHOWN.
- HATCHED AREA IS PLACEMENT ZONE FOR LED. LED SHOULD BE CENTERED WITHIN ZONE. RECOMMEND 0805 PACKAGE.

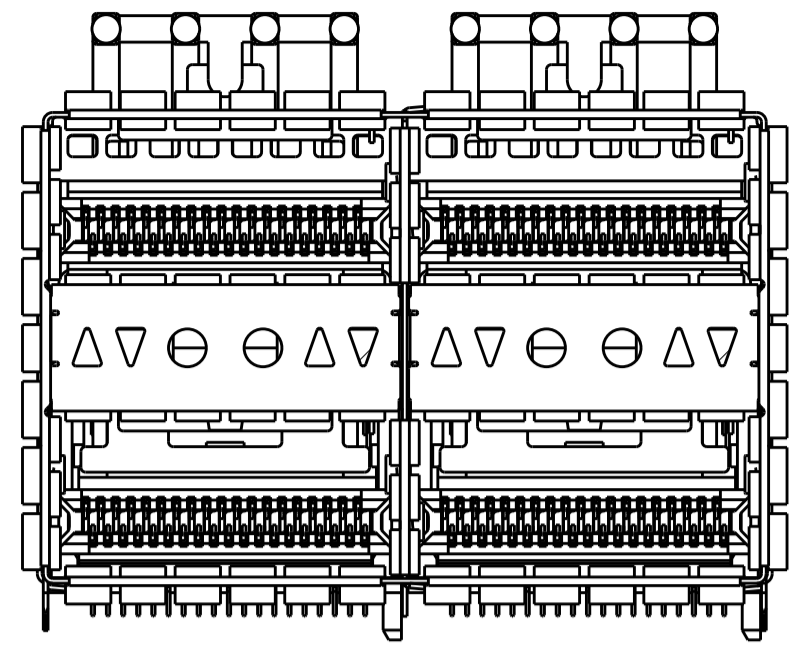
THIS DRAWING IS A CONTROLLED DOCUMENT.

DIMENSIONS:	TOLERANCES UNLESS OTHERWISE SPECIFIED:	DMN: TIM XUE 17AUG2016	TE Connectivity
mm	0 PLC ±	CHK: SEAN HAN 17AUG2016	
	1 PLC ±0.25	APVD: SEAN HAN 17AUG2016	
	2 PLC ±0.20	NAME: zOSFP+ 2X2 4 INTERNAL LIGHT PIPES WITH EMI SPRING FINGERS, BELLY TO BELLY APPLICATION	
	3 PLC ±	PRODUCT SPEC: 108-60102	SIZE: A1
	4 PLC ±	APPLICATION SPEC: 114-60015	CAGE CODE: 2308171
MATERIAL: SEE NOTE 1	FINISH: SEE NOTE 2	WEIGHT: -	RESTRICTED TO: -
CUSTOMER DRAWING		SCALE: 4:1	SHEET 1 OF 10 REV D1

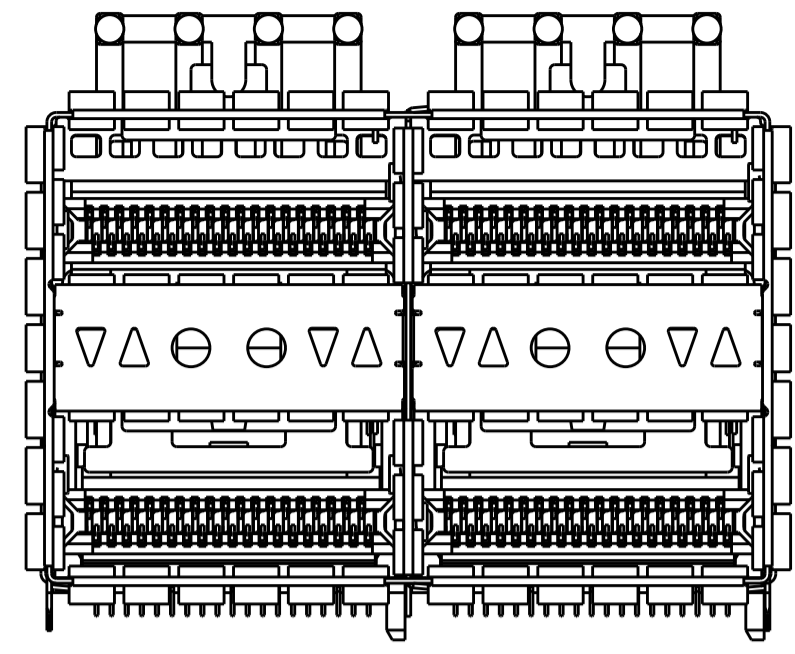
LOC	DIST	REVISIONS					
GP	00	P	LYR	DESCRIPTION	DATE	OWN	APVD
		-		SEE SHEET 1			



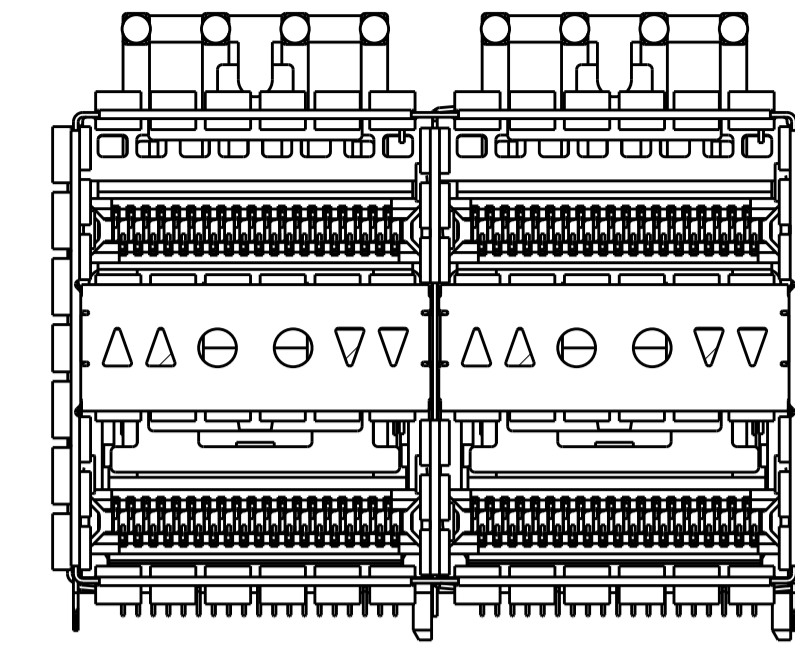
2308171-1
 2308171-7
 1-2308171-0
 3-2308171-0
 ALL ROUND INDICATOR, 4LP
 SCALE 5:2



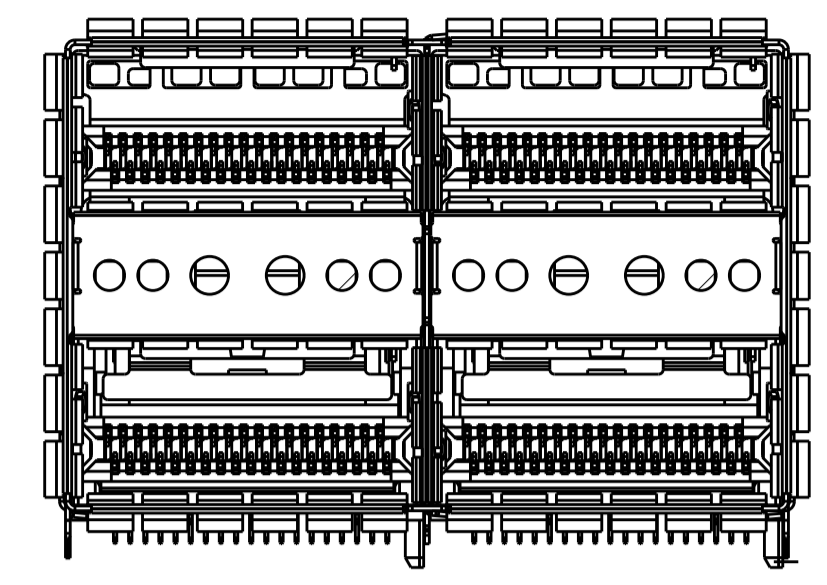
2308171-2
 LEFT INDICATOR UP
 SCALE 5:2



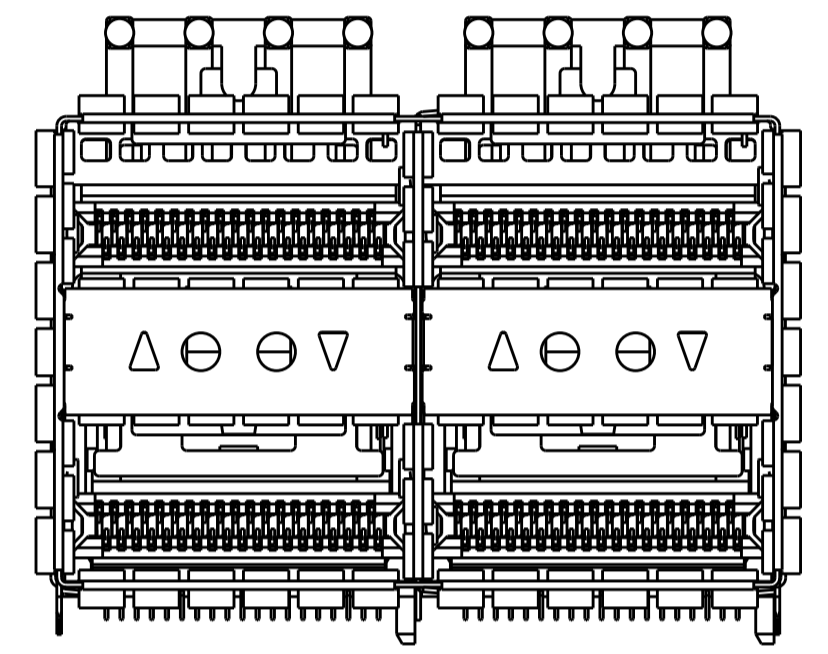
2308171-3
 LEFT INDICATOR DOWN
 SCALE 5:2



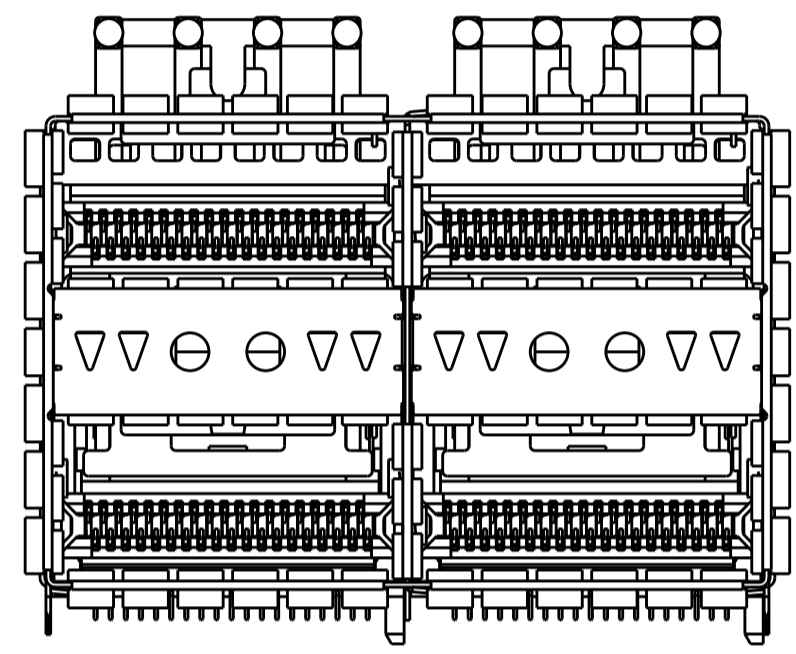
2308171-4
 LEFT INDICATOR UP
 SCALE 5:2



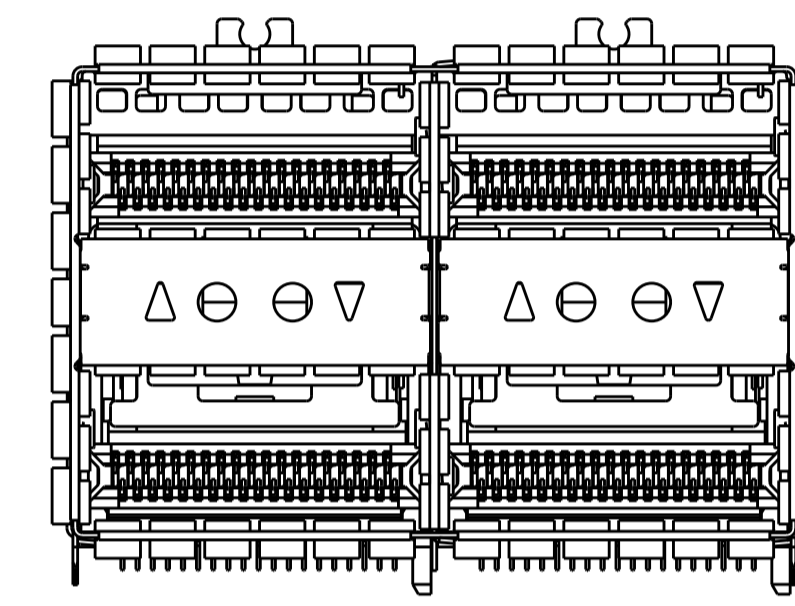
1-2308171-2
 ALL ROUND INDICATOR
 SCALE 5:2



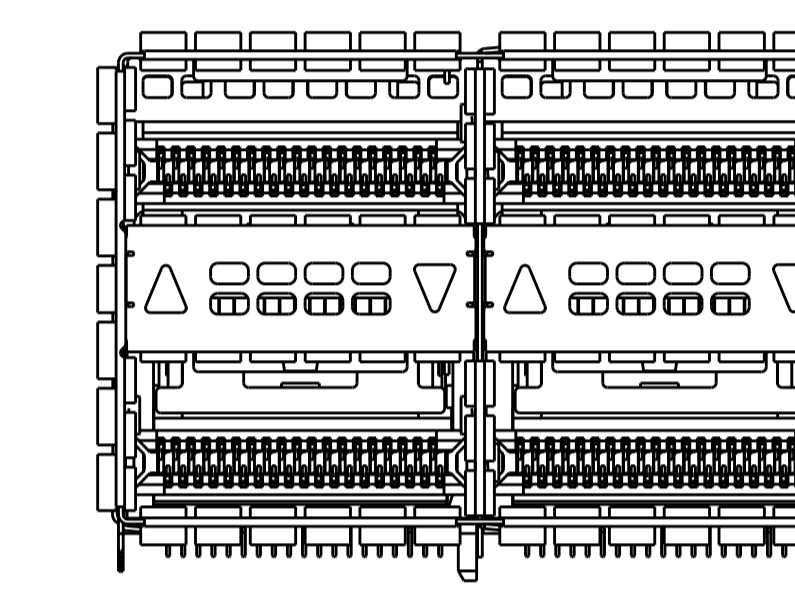
2308171-5
 LEFT INDICATORS UP(2 LIGHT PIPES)
 SCALE 5:2



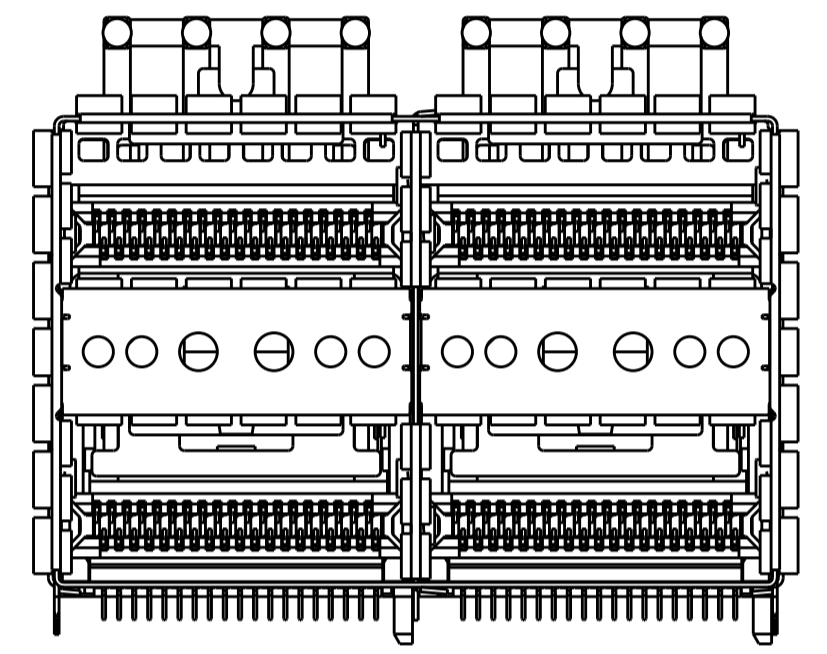
2308171-6
 ALL INDICATORS DOWN
 SCALE 5:2



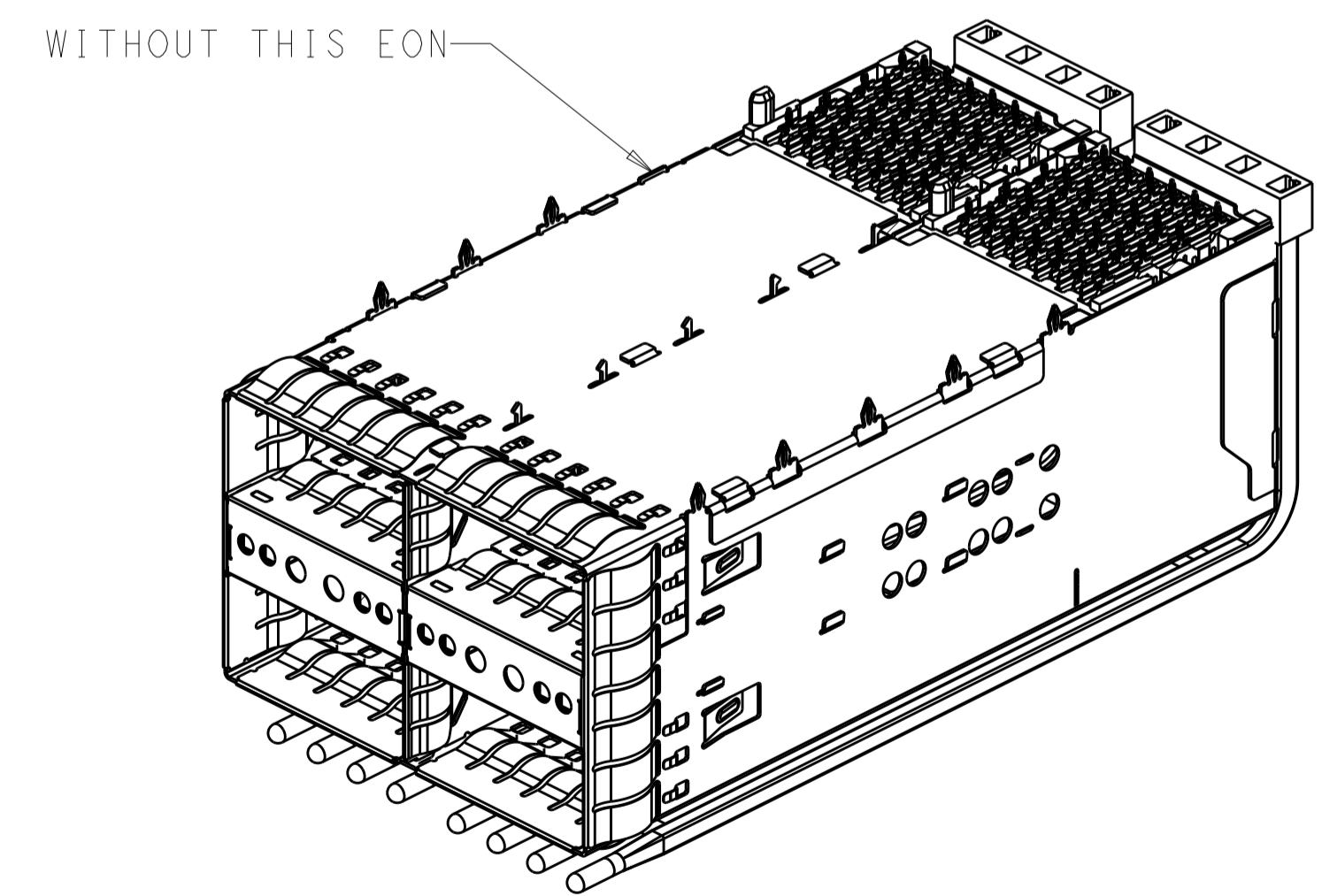
2308171-8
 W/O TOP LIGHT PIPE
 SCALE 5:2



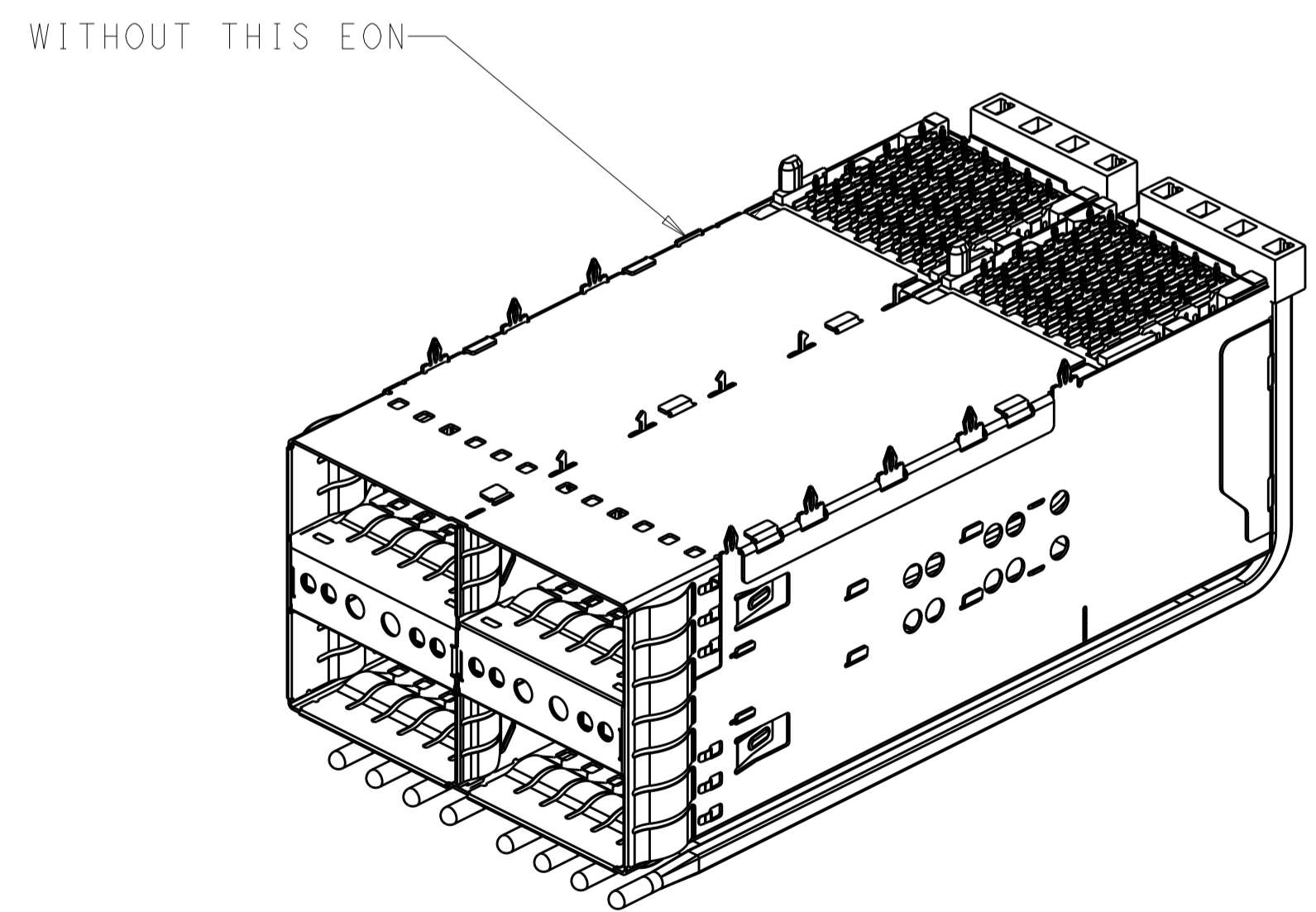
2308171-9
 W/O TOP LIGHT PIPE
 SCALE 5:2



1-2308171-1
 3-2308171-1
 ALL ROUND INDICATOR, 4LP
 WITHOUT BOTTOM EMI SPRINGS
 SCALE 5:2



1-2308171-0
 3-2308171-0
 BOTTOM VIEW
 SCALE 2:1



1-2308171-1
 3-2308171-1
 BOTTOM VIEW
 SCALE 2:1

REMARK	DIM. A	CONTACT FINISH	DESCRIPTION	PART NUMBER
W/O ORGANIZER, W/O TOP LP	N/A	2	LEFT INDICATOR DOWN, 4LP	1-2308171-3
W/ ORGANIZER, UNCOATED LP	0.1	2	ALL ROUND INDICATOR, 4LP	3-2308171-1
W/ ORGANIZER, UNCOATED LP	0.1	2	ALL ROUND INDICATOR, 4LP	3-2308171-0
W/ ORGANIZER, UNCOATED LP	N/A	2	NO INTRENAL LP	2-2308171-1
W/ ORGANIZER, UNCOATED LP	N/A	2	NO INTRENAL LP	2-2308171-0
W/O ORGANIZER, W/O TOP LP	N/A	2	ALL ROUND INDICATOR	1-2308171-2
W/ ORGANIZER, UNCOATED LP	1.6	2	ALL ROUND INDICATOR, 4LP	1-2308171-1
W/ ORGANIZER, UNCOATED LP	1.6	2	ALL ROUND INDICATOR, 4LP	1-2308171-0
W/O ORGANIZER, W/O TOP LP	N/A	2	LEFT INDICATOR UP, 2LP	2308171-9
W/O ORGANIZER, W/O TOP LP	N/A	2	LEFT INDICATOR UP, 2LP	2308171-8
W/O ORGANIZER, UNCOATED LP	1.6	2	ALL ROUND INDICATOR, 4LP	2308171-7
W/ ORGANIZER, UNCOATED LP	1.6	2	ALL INDICATOR DOWN, 4LP	2308171-6
W/O ORGANIZER, UNCOATED LP	4.8	2	LEFT INDICATOR UP, 2LP	2308171-5
W/O ORGANIZER, UNCOATED LP	4.8	2	LEFT INDICATOR UP, 4LP	2308171-4
W/O ORGANIZER, UNCOATED LP	4.8	2	LEFT INDICATOR DOWN, 4LP	2308171-3
W/O ORGANIZER, UNCOATED LP	4.8	2	LEFT INDICATOR UP, 4LP	2308171-2
W/ ORGANIZER, UNCOATED LP	4.8	2	ALL ROUND INDICATOR, 4LP	2308171-1

THIS DRAWING IS A CONTROLLED DOCUMENT.

OWN: TIM XUE 17AUG2016
 CHG: SEAN HAN 17AUG2016
 APVD: SEAN HAN 17AUG2016

NAME: zOSFP+ 2X2 4 INTERNAL LIGHT PIPES WITH EMI SPRING FINGERS, BELLY TO BELLY APPLICATION

PRODUCT SPEC: 108-60102
 APPLICATION SPEC: 114-60015

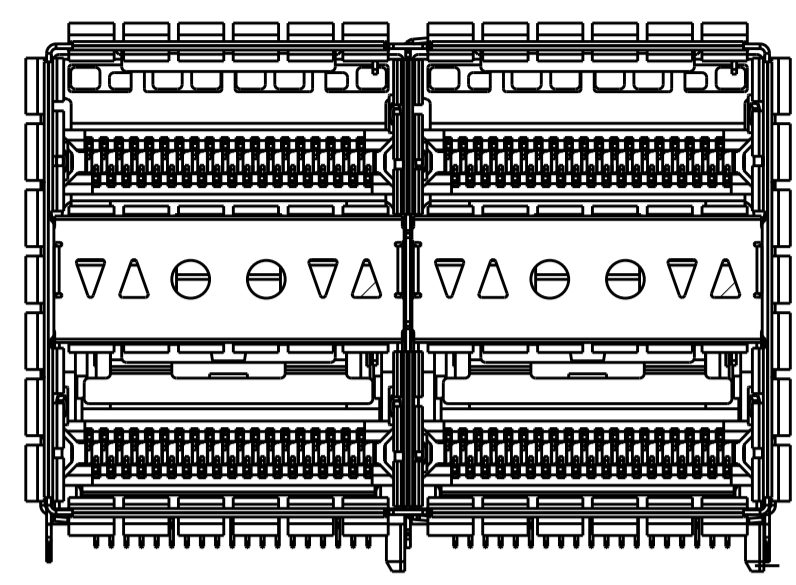
SIZE: A1
 CAGE CODE: 00779
 DRAWING NO: 2308171

SCALE: 4:1
 SHEET: 2 OF 10
 REV: D1


TE Connectivity

THIS DRAWING IS UNPUBLISHED. RELEASED FOR PUBLICATION 20
 © COPYRIGHT 20 BY TYCO ELECTRONICS CORPORATION ALL RIGHTS RESERVED.

LOC		DIST		REVISIONS			
GP	00	P	LTN	DESCRIPTION	DATE	DWN	APVD
		-		SEE SHEET 1	-	-	-

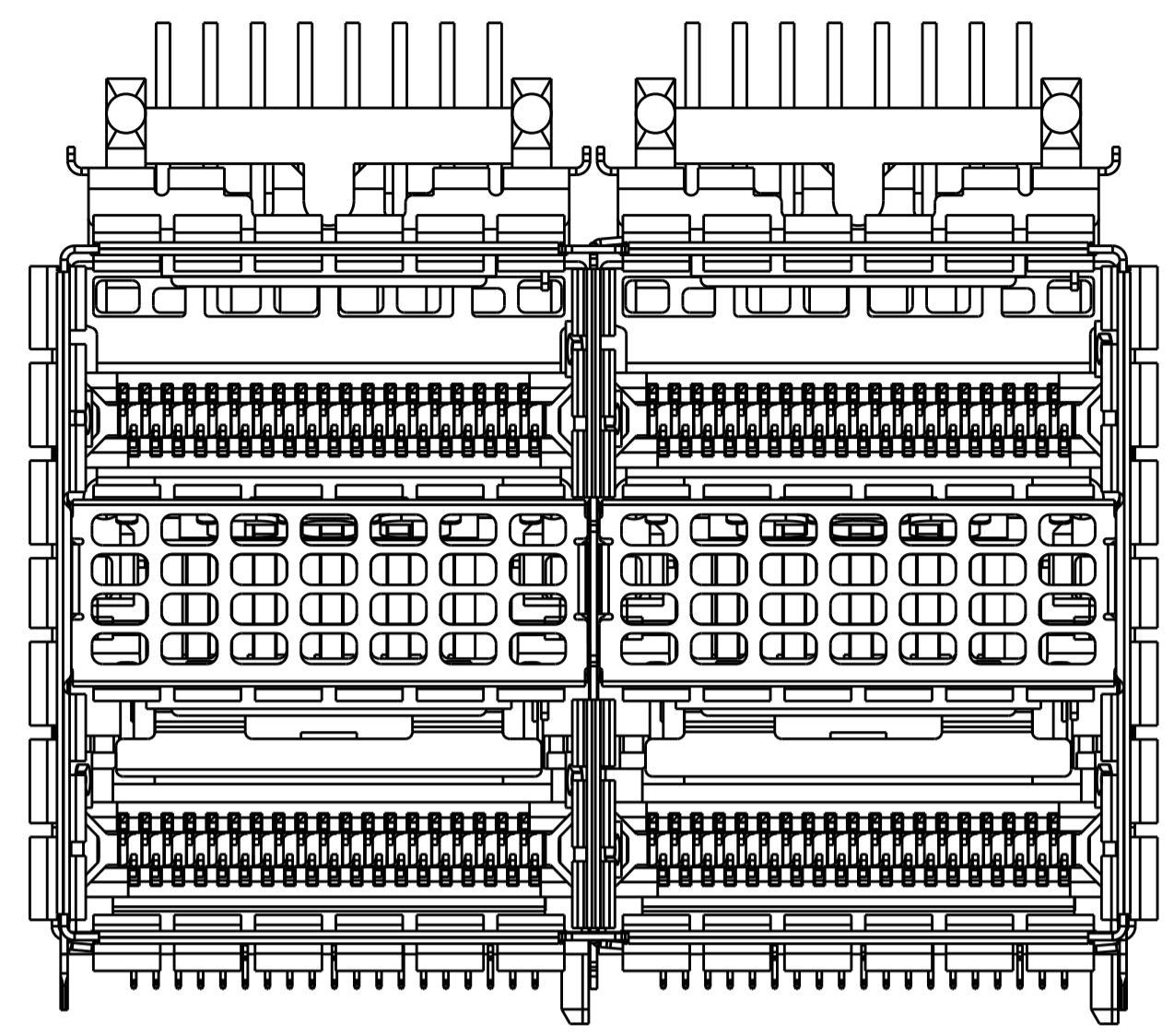


1-2308171-3
 LEFT INDICATOR DOWN
 SCALE 5:2

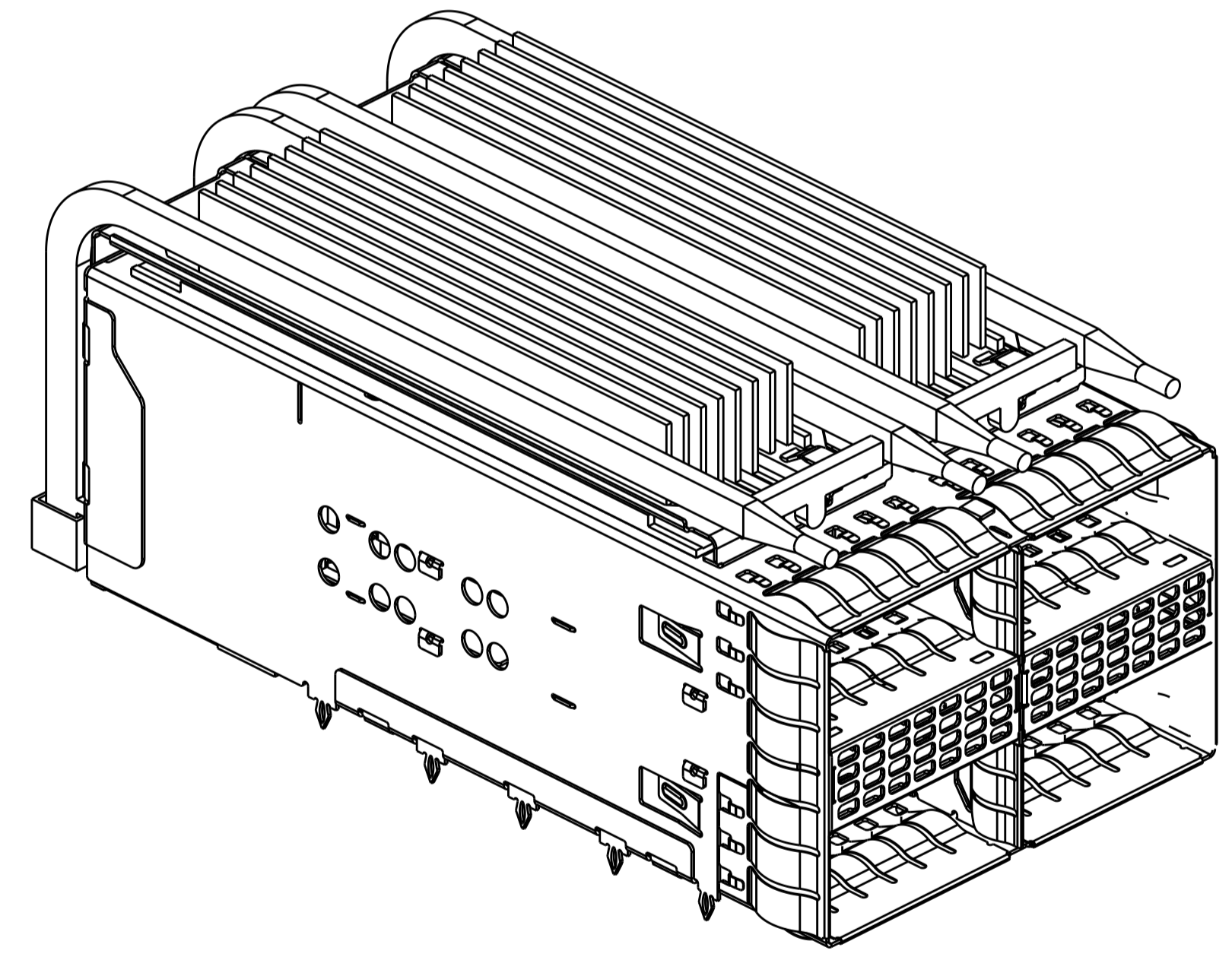
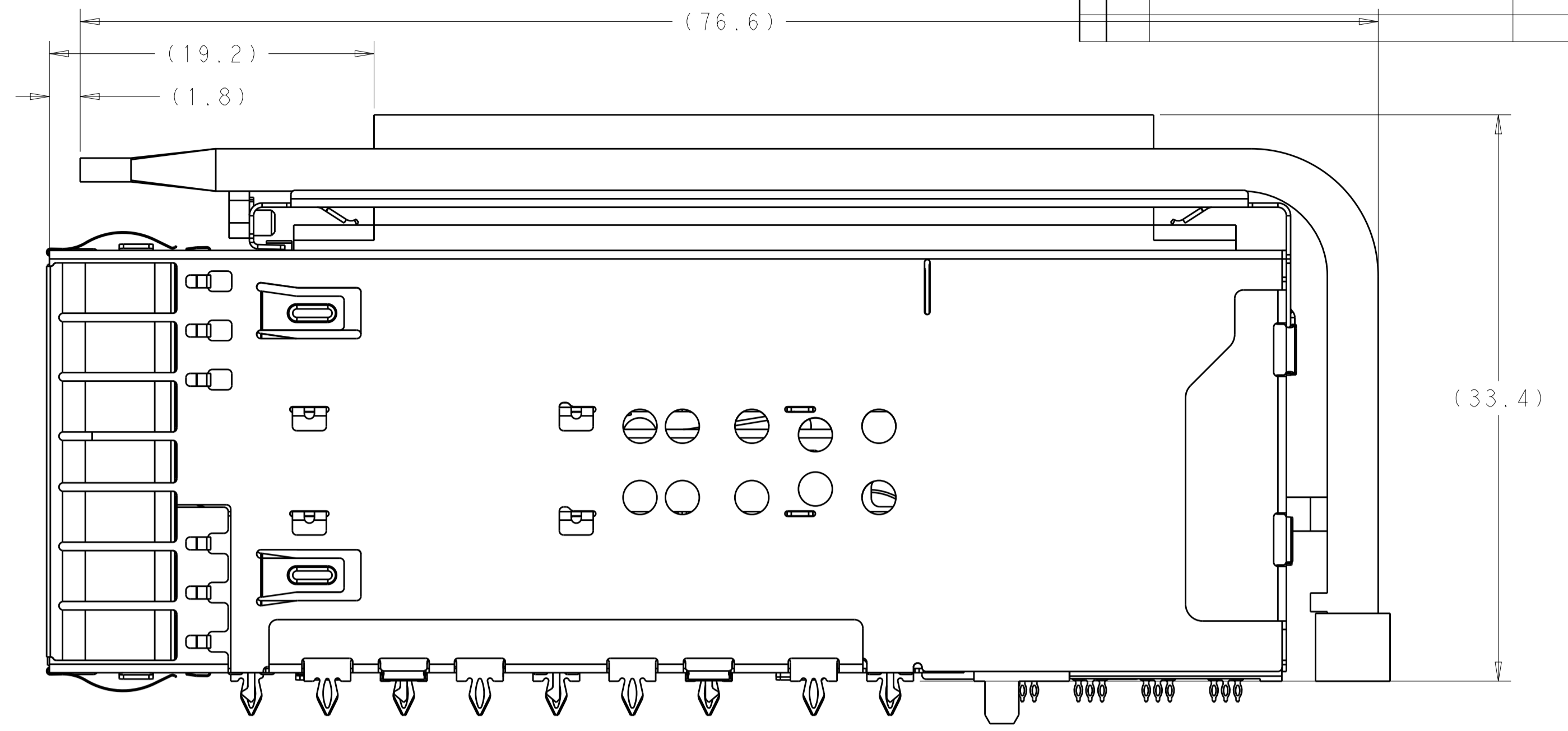
THIS DRAWING IS A CONTROLLED DOCUMENT.		DWN	TIM XUE	17AUG2016	 TE Connectivity
		CHK	SEAN HAN	17AUG2016	
		APVD	SEAN HAN	17AUG2016	
DIMENSIONS:		TOLERANCES UNLESS OTHERWISE SPECIFIED:		NAME	
mm	0 PLC ±	1 PLC ±0.25	2 PLC ±0.20	3 PLC ±	4 PLC ±
	ANGLES	FINISH		RESTRICTED TO	
MATERIAL		WEIGHT		SIZE	
SEE NOTE 1		SEE NOTE 2		A100779C=2308171	
		CUSTOMER DRAWING		SCALE 4:1 SHEET 3 OF 10 REV D1	

LOC	DIST	REV	DATE	BY	APPV
GP	00				
REVISIONS			DESCRIPTION	DATE	DWN
			SEE SHEET 1		

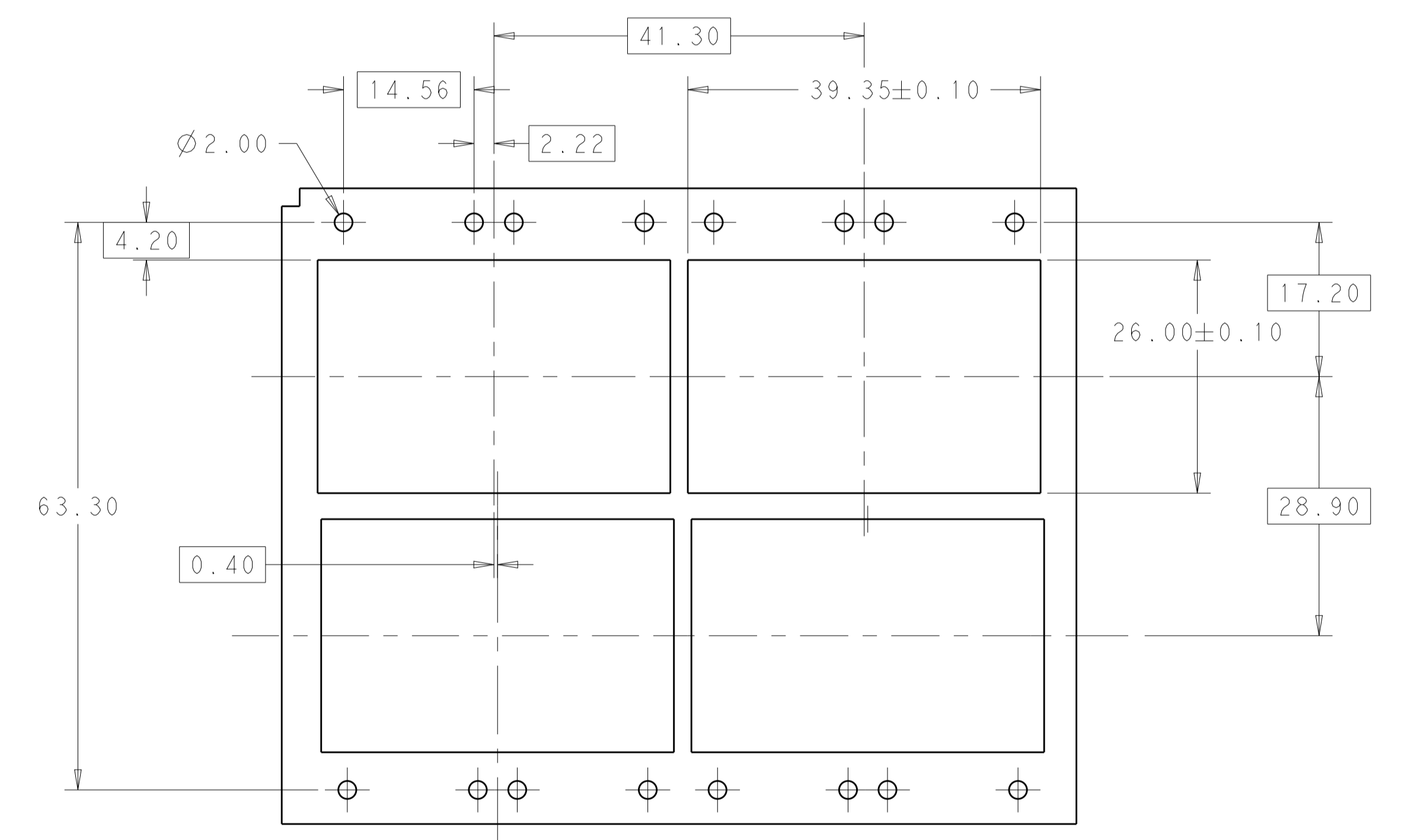
2-2308171-0 AS SHOWN



2-2308171-0
SCALE 4:1



SCALE 5:2



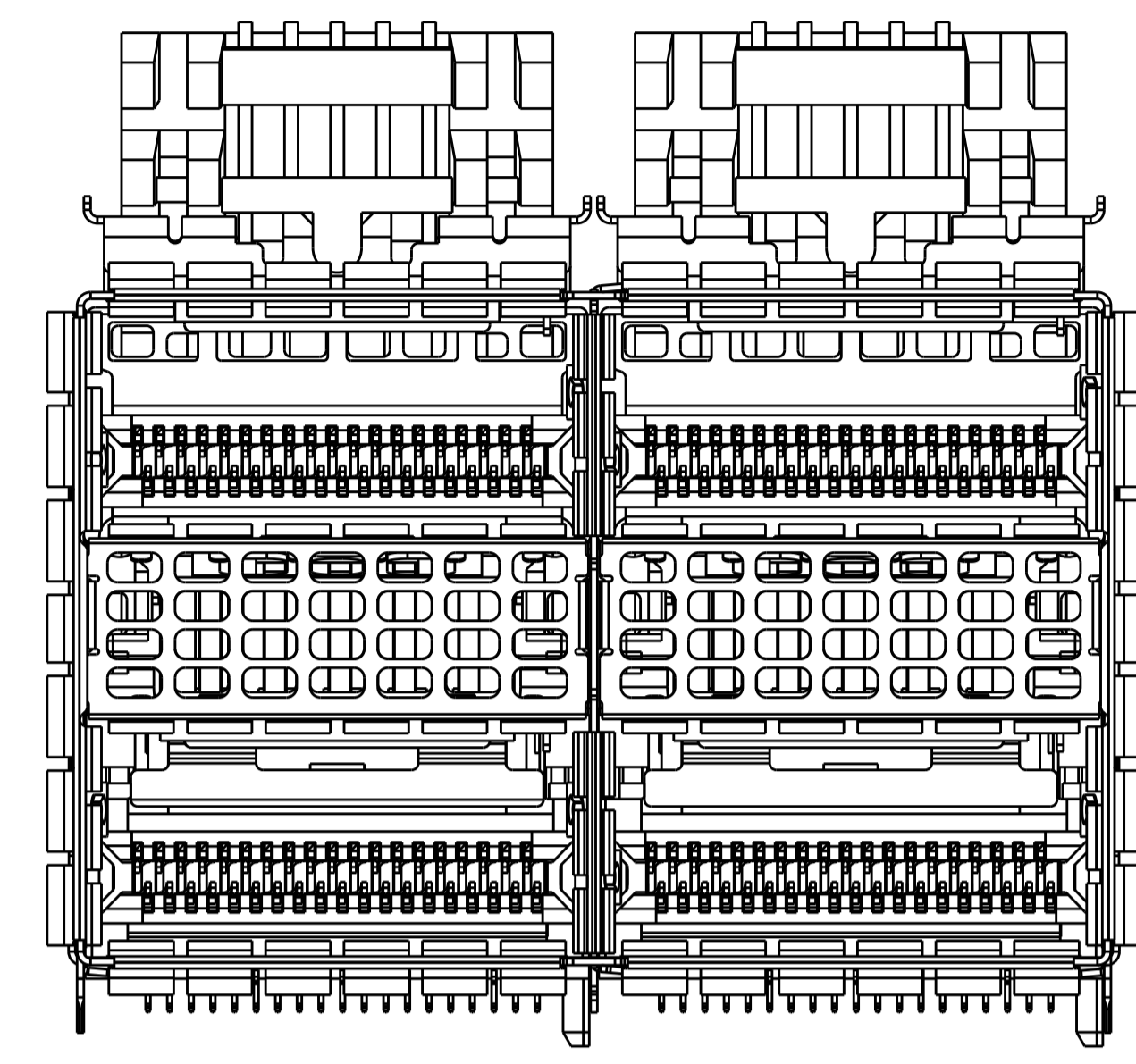
2-2308171-0 PANEL
SCALE 2:1

THIS DRAWING IS A CONTROLLED DOCUMENT.		DWN TIM XUE 17AUG2016	TE Connectivity
DIMENSIONS: mm		CHK SEAN HAN 17AUG2016	
TOLERANCES UNLESS OTHERWISE SPECIFIED:		APVD SEAN HAN 17AUG2016	NAME zOSFP+ 2X2.4 INTERNAL LIGHT PIPES WITH EMI SPRING FINGERS, BELLY TO BELLY APPLICATION
0 PLC ±	1 PLC ±0.25	PRODUCT SPEC	SIZE 108-60102
2 PLC ±0.20	3 PLC ±	APPLICATION SPEC	CAGE CODE 114-60015
4 PLC ±	ANGLES ±	WEIGHT	RESTRICTED TO A100779C=2308171
MATERIAL SEE NOTE 1	FINISH SEE NOTE 2	CUSTOMER DRAWING	SCALE 4:1 SHEET 4 OF 10 REV D1

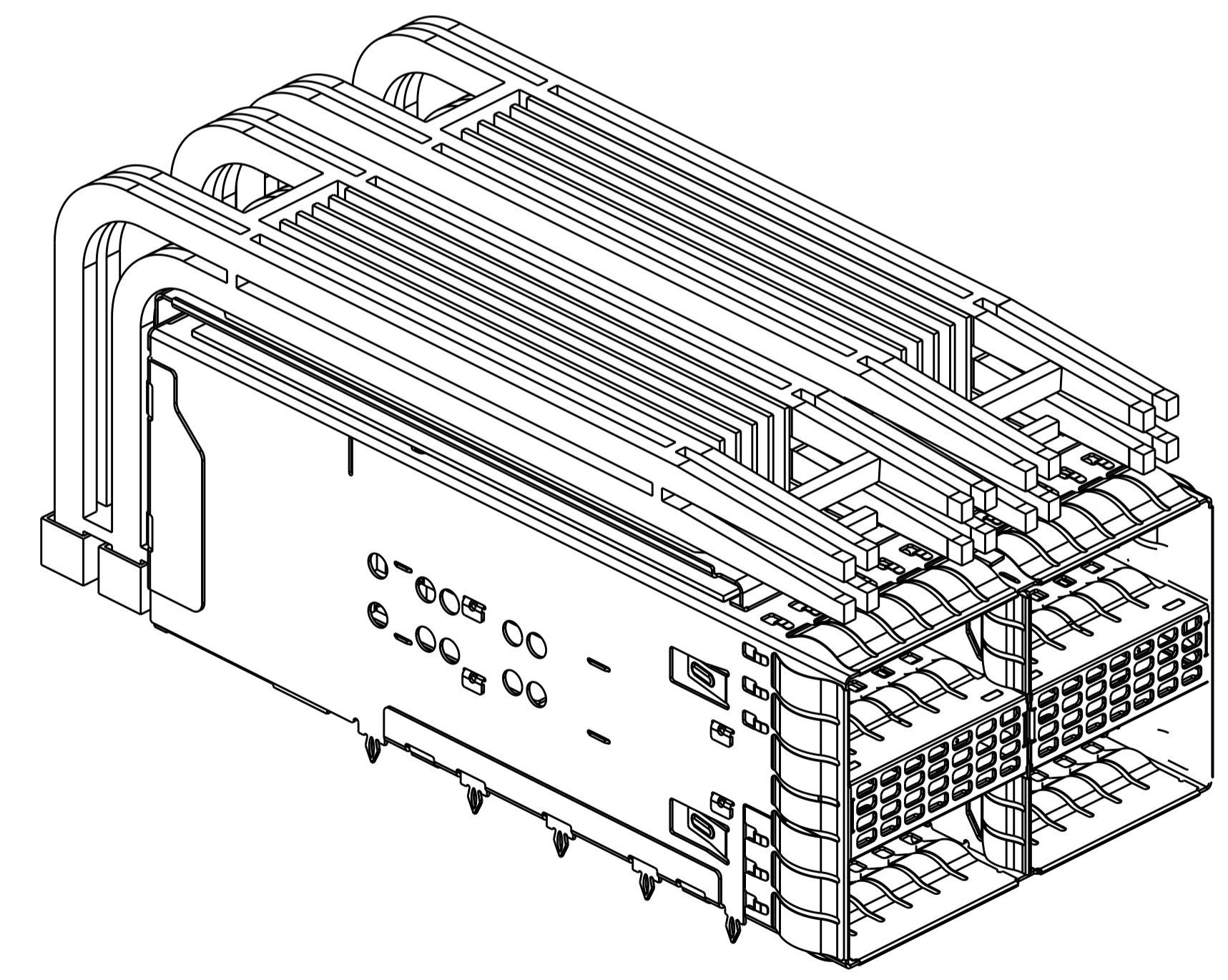
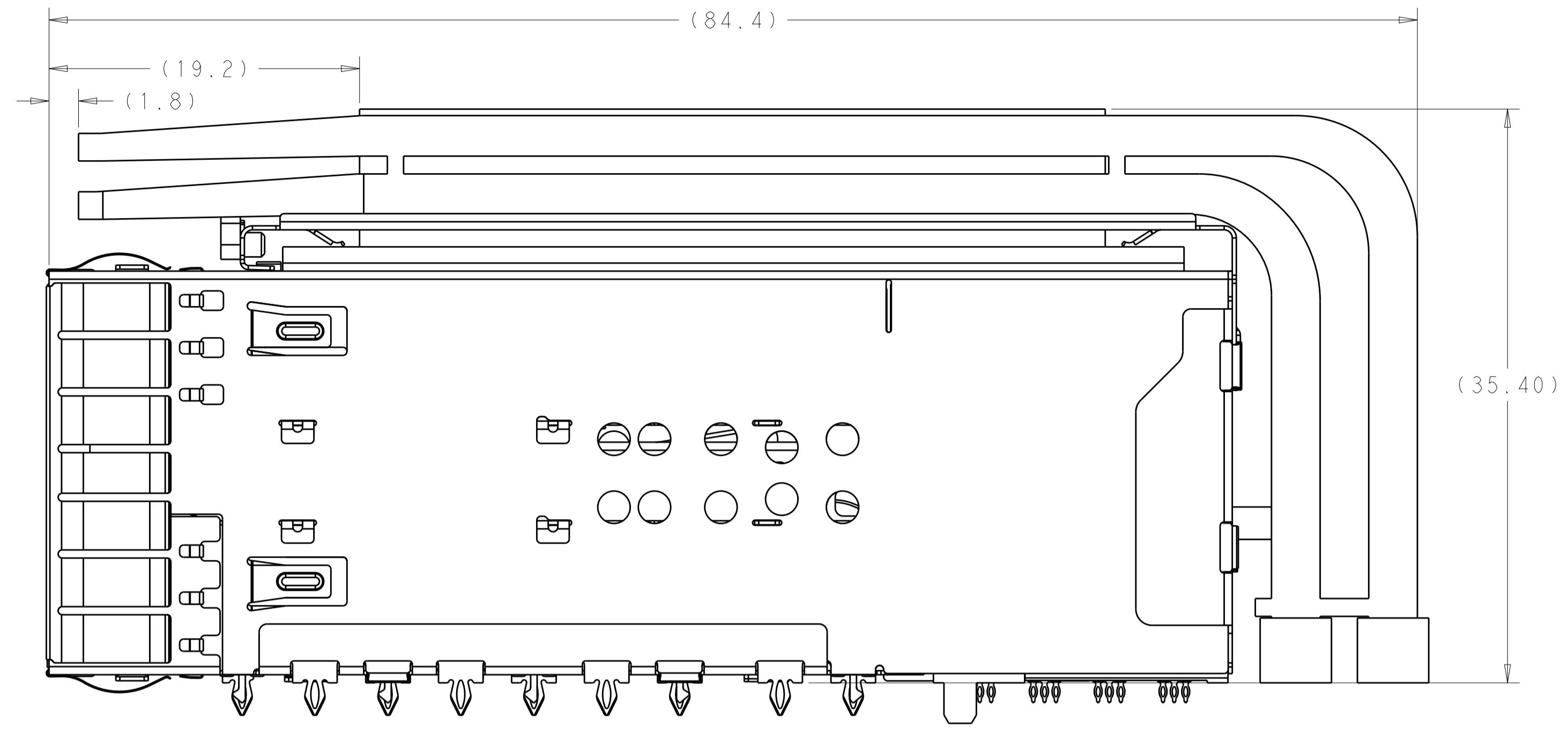
LOC	DIST	REV	DATE	BY	APPV
GP	00				

REVISIONS			
NO.	DESCRIPTION	DATE	BY
-	SEE SHEET 1	-	-

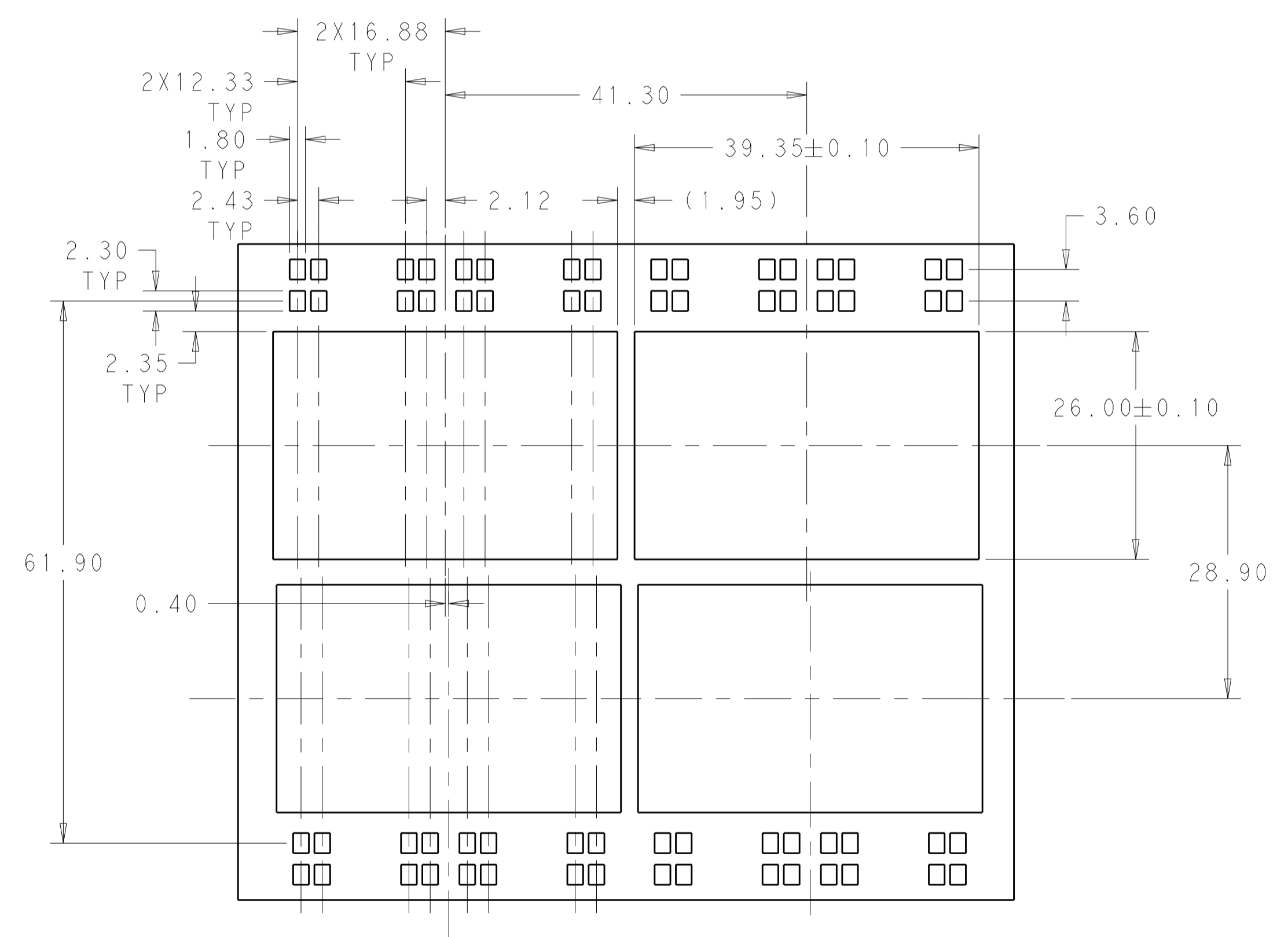
2-2308171-1 AS SHOWN



2-2308171-1
SCALE 4:1



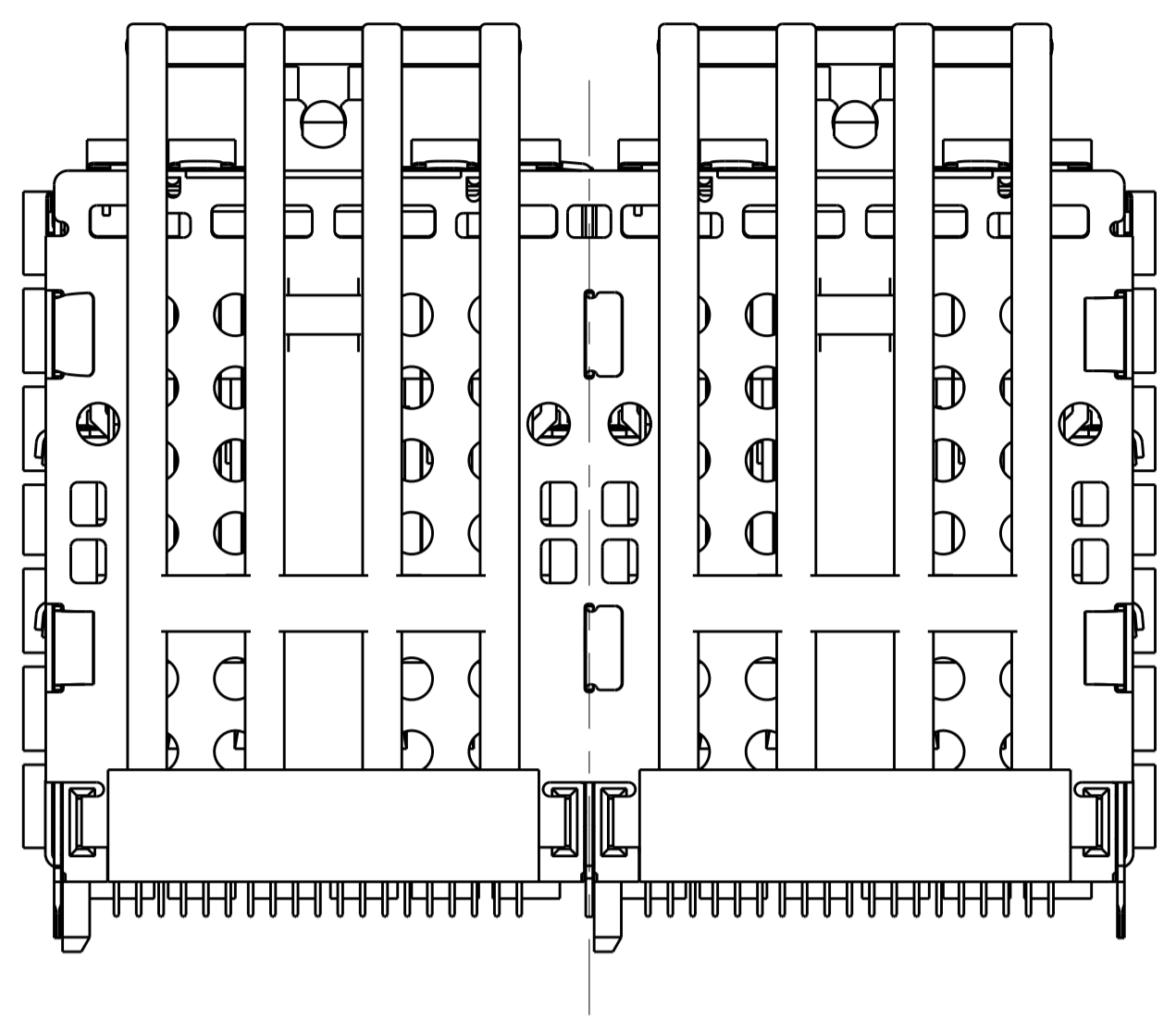
SCALE 5:2



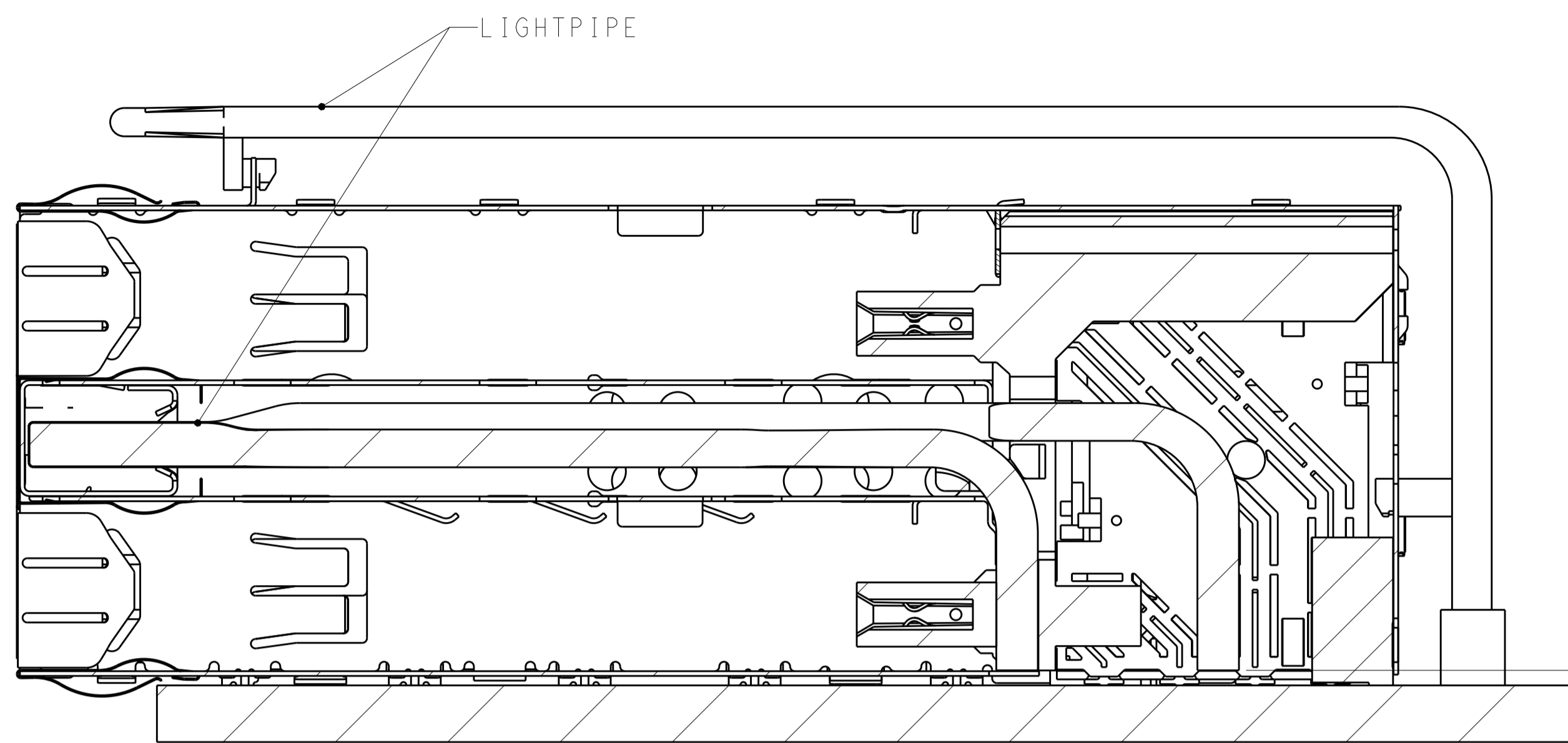
2-2308171-1 PANEL
SCALE 2:1

THIS DRAWING IS A CONTROLLED DOCUMENT.		OWN: TIM XUE 17AUG2016	TE Connectivity
DIMENSIONS: mm		CHK: SEAN HAN 17AUG2016	
TOLERANCES UNLESS OTHERWISE SPECIFIED:		APPV: SEAN HAN 17AUG2016	
0 PLC ± 1 PLC ±0.25 2 PLC ±0.20 3 PLC ± 4 PLC ± ANGLES ± FINISH ±		NAME: zOSFP+ 2X2.4 INTERNAL LIGHT PIPES WITH EMI SPRING FINGERS, BELLY TO BELLY APPLICATION	
MATERIAL: SEE NOTE 1	FINISH: SEE NOTE 2	PRODUCT SPEC: 108-60102	RESTRICTED TO: -
CUSTOMER DRAWING		APPLICATION SPEC: 114-60015	SIZE: A1
		WEIGHT: -	CAGE CODE: 100779
		SCALE: 4:1	DRAWING NO: 2308171
		SHEET: 5 OF 10	REV: D1

LOC	DIST	REVISIONS					
GP	00	P	LTN	DESCRIPTION	DATE	DWN	APVD
		-		SEE SHEET 1	-	-	-



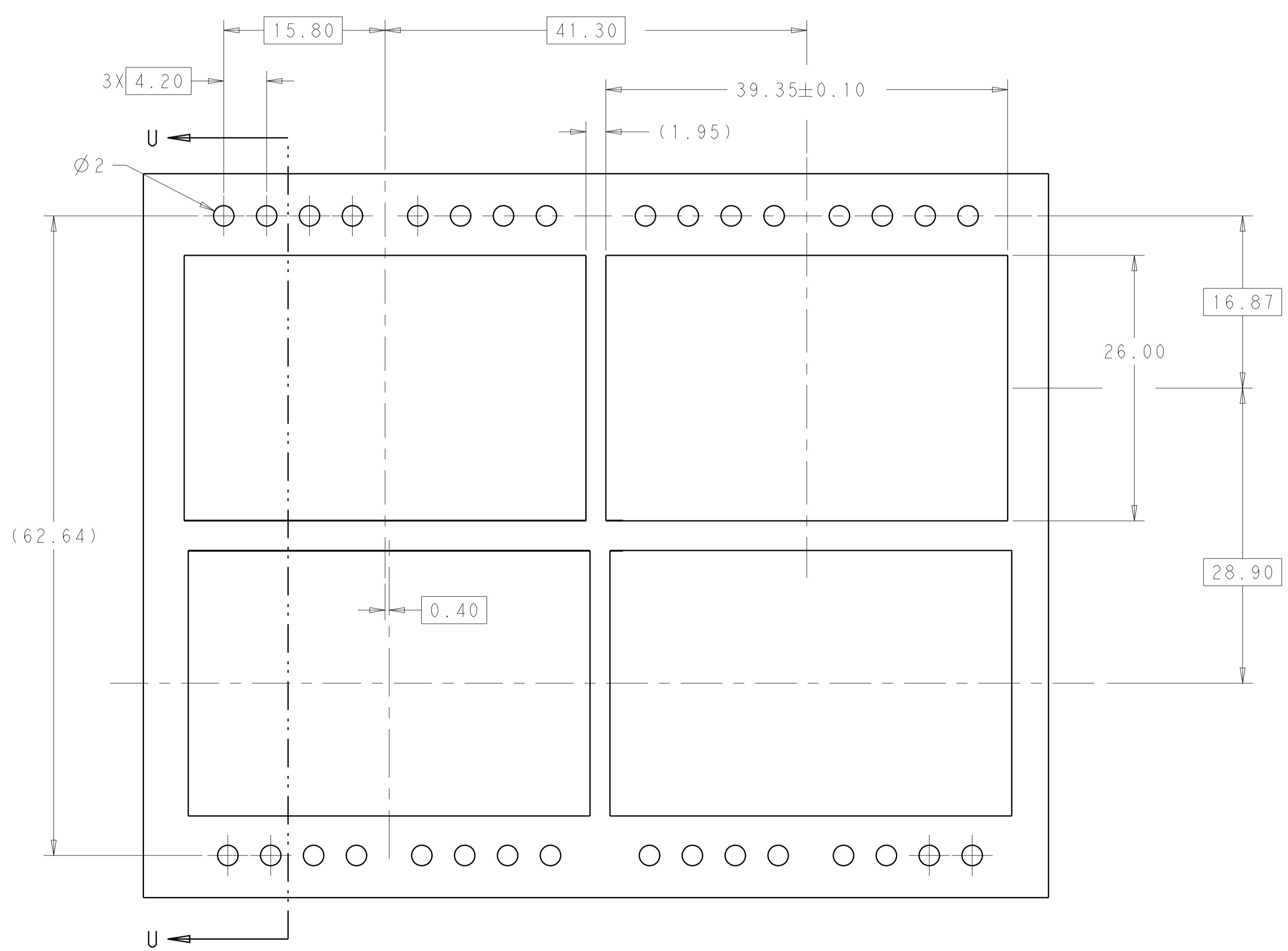
VIEW Y-Y



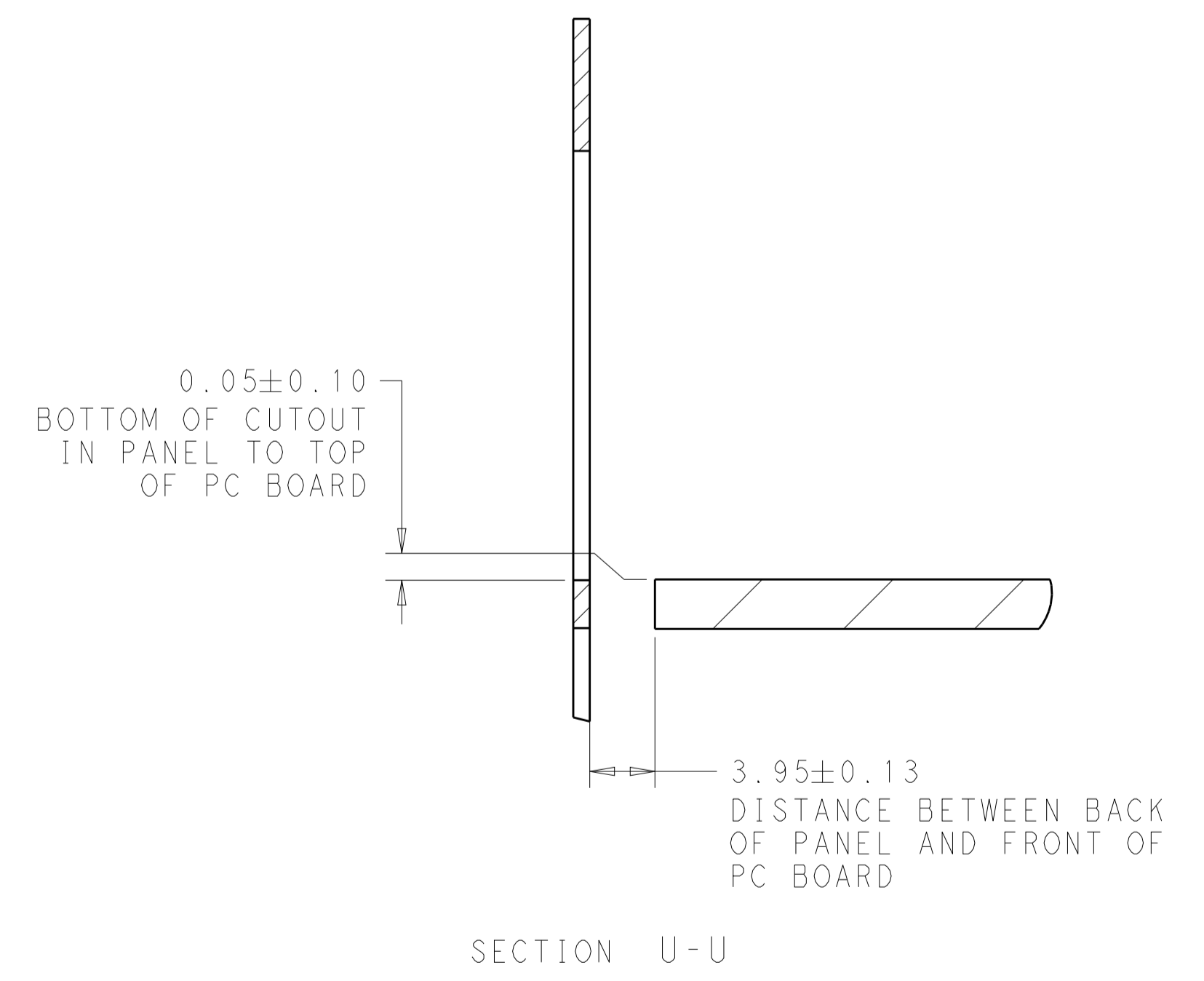
LIGHTPIPE

(0.80)
 RECOMMENDED 0805
 PACKAGE SMD CHIP
 LED LAMPS

SECTION V-V
 SCALE 4:1



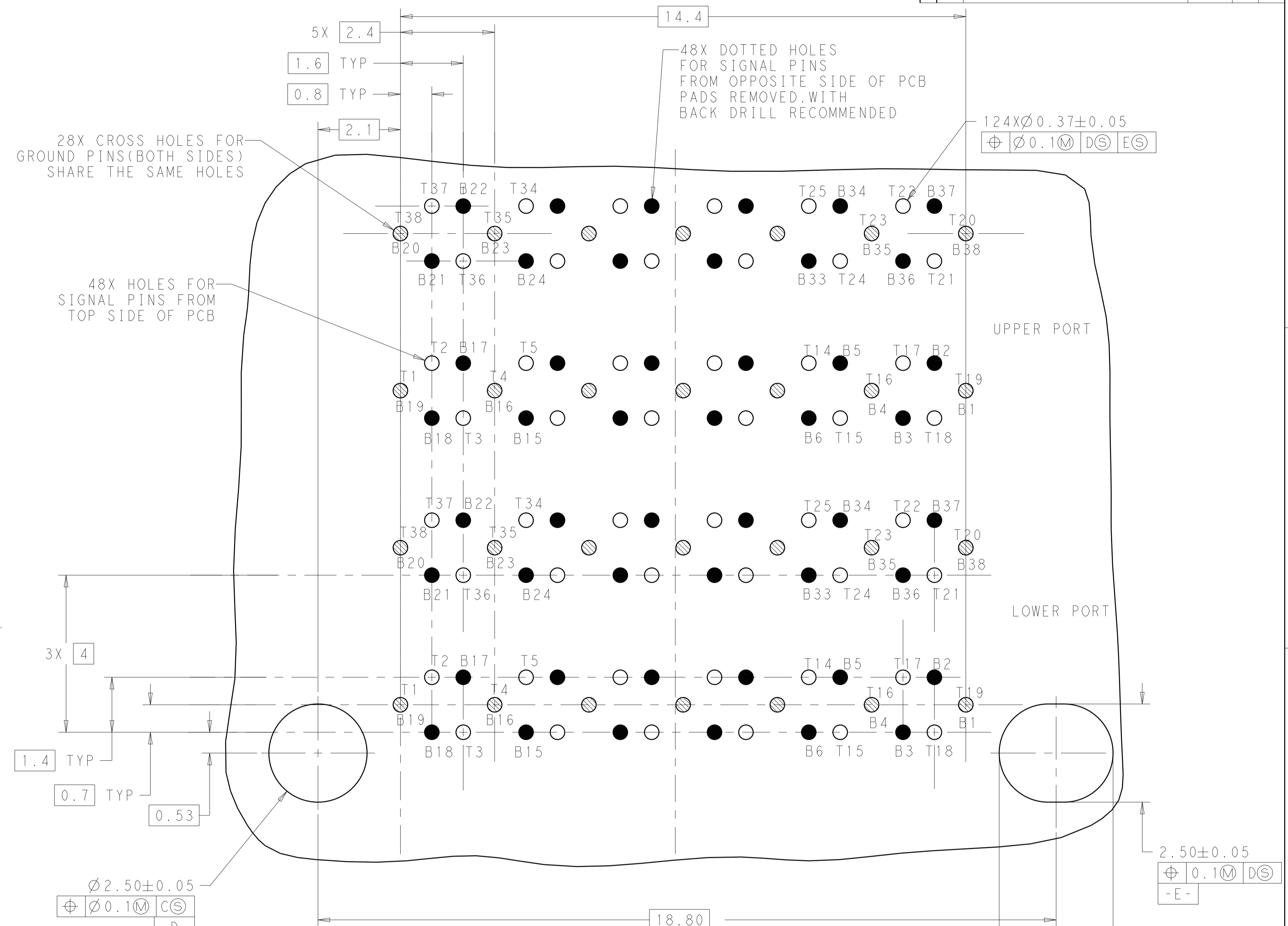
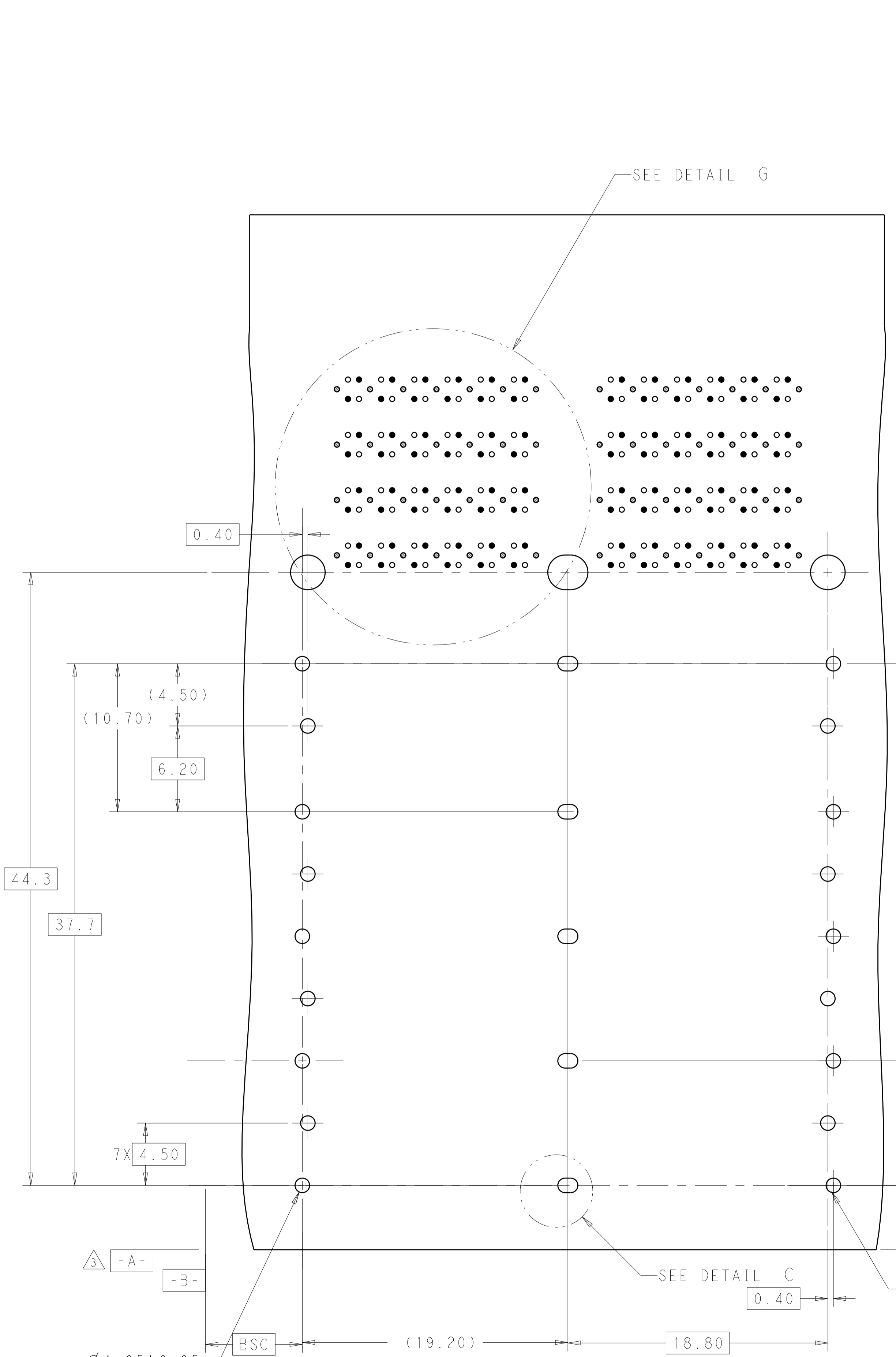
RECOMMENDED PANEL CUTOUT
 AND PC BOARD, PANEL POSITION
 SCALE 3:1



SECTION U-U

THIS DRAWING IS A CONTROLLED DOCUMENT.		DWN	TIM XUE	17AUG2016	TE Connectivity NAME: zOSFP+ 2X2.4 INTERNAL LIGHT PIPES WITH EMI SPRING FINGERS, BELLY TO BELLY APPLICATION PRODUCT SPEC: 108-60102 APPLICATION SPEC: 114-60015 SIZE: A1 CAGE CODE: 2308171 DRAWING NO: 100779	RESTRICTED TO	
DIMENSIONS:		CHK	SEAN HAN	17AUG2016		SCALE: 4:1 SHEET 6 OF 10 REV D1	
mm		APVD	SEAN HAN	17AUG2016			
0 PLC ± 1 PLC ±0.25 2 PLC ±0.20 3 PLC ± 4 PLC ± ANGLES ± FINISH ±		TOLERANCES UNLESS OTHERWISE SPECIFIED:		MATERIAL: SEE NOTE 1			
SEE NOTE 1		SEE NOTE 2		CUSTOMER DRAWING			

LOC		DIST		REVISIONS			
GP	00	P	LTN	DESCRIPTION	DATE	OWN	APVD
				SEE SHEET 1			



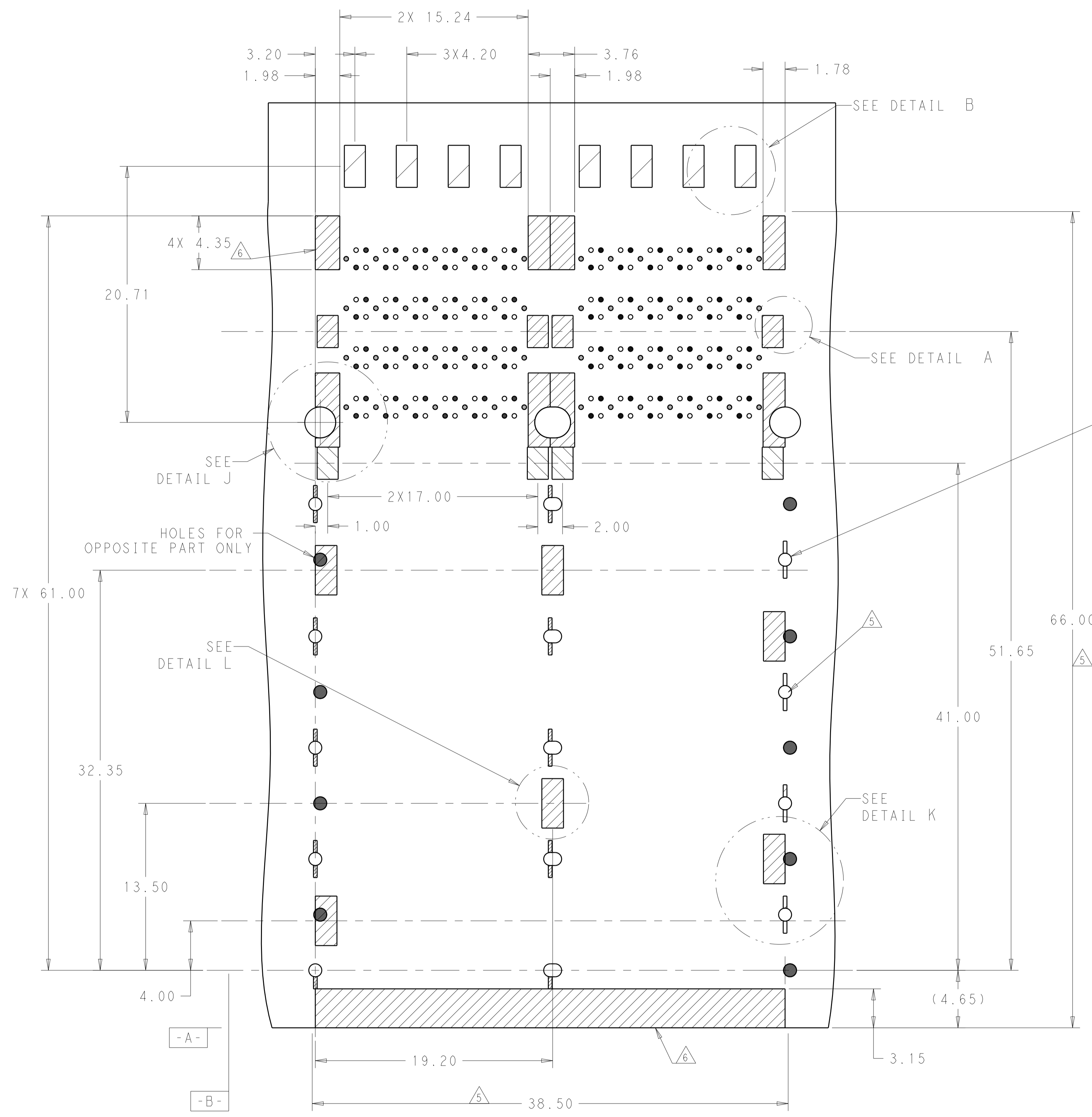
RECOMMENDED PC BOARD LAYOUT
 COMPONENT SIDE OF BOARD
 (PCB TOLERANCE ±0.05)
 SCALE 5:1

DETAIL G
 SCALE 15:1

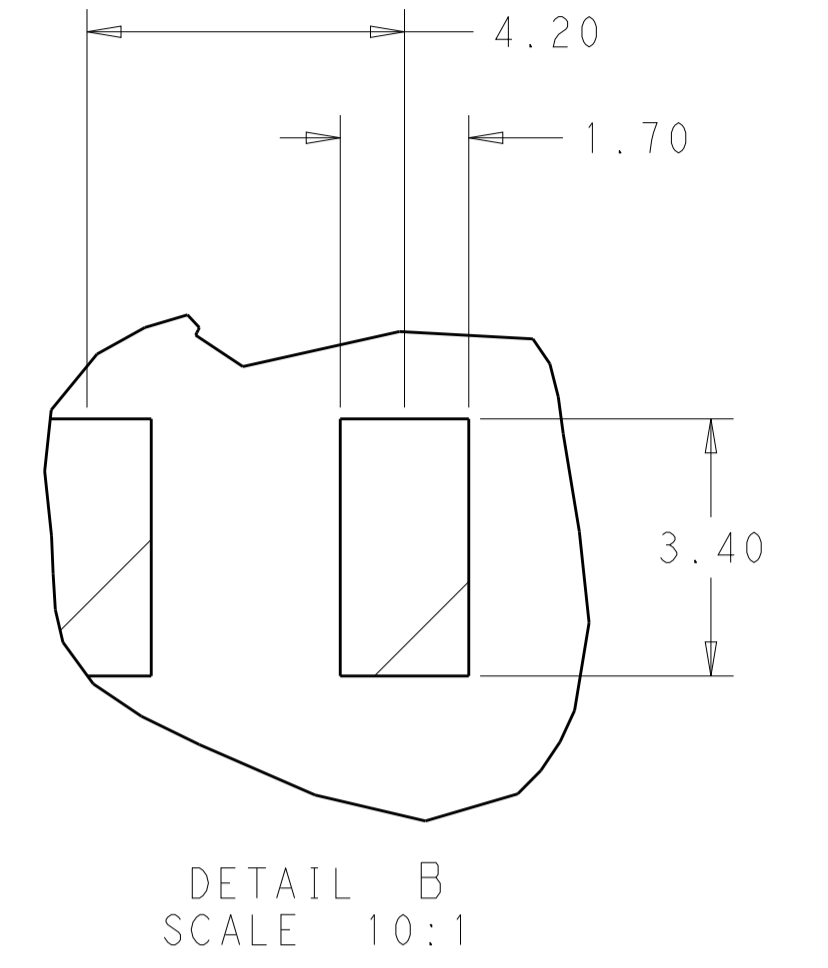
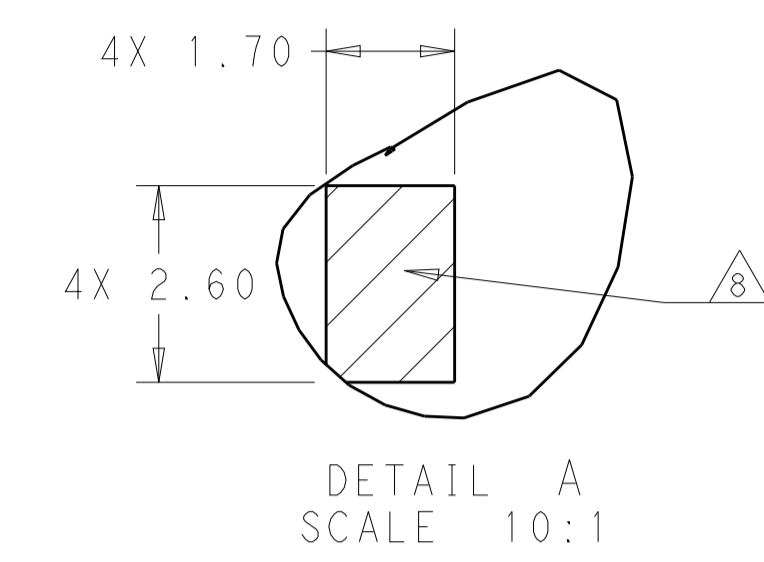
DETAIL C
 SCALE 15:1

THIS DRAWING IS A CONTROLLED DOCUMENT.		OWN: TIM XUE 17AUG2016	TE Connectivity
DIMENSIONS: mm		CHK: SEAN HAN 17AUG2016	
TOLERANCES UNLESS OTHERWISE SPECIFIED:		APVD: SEAN HAN 17AUG2016	NAME: zOSFP+ 2X2.4 INTERNAL LIGHT PIPES WITH EMI SPRING FINGERS, BELLY TO BELLY APPLICATION
0 PLC ±	1 PLC ±0.25	PRODUCT SPEC	SIZE: CAGE CODE DRAWING NO. RESTRICTED TO
2 PLC ±0.20	3 PLC ±	APPLICATION SPEC	A100779C=2308171
4 PLC ±	ANGLES ±	114-60015	SCALE 1:1 SHEET 7 OF 10 REV D1
MATERIAL: SEE NOTE 1	FINISH: SEE NOTE 2	WEIGHT: CUSTOMER DRAWING	

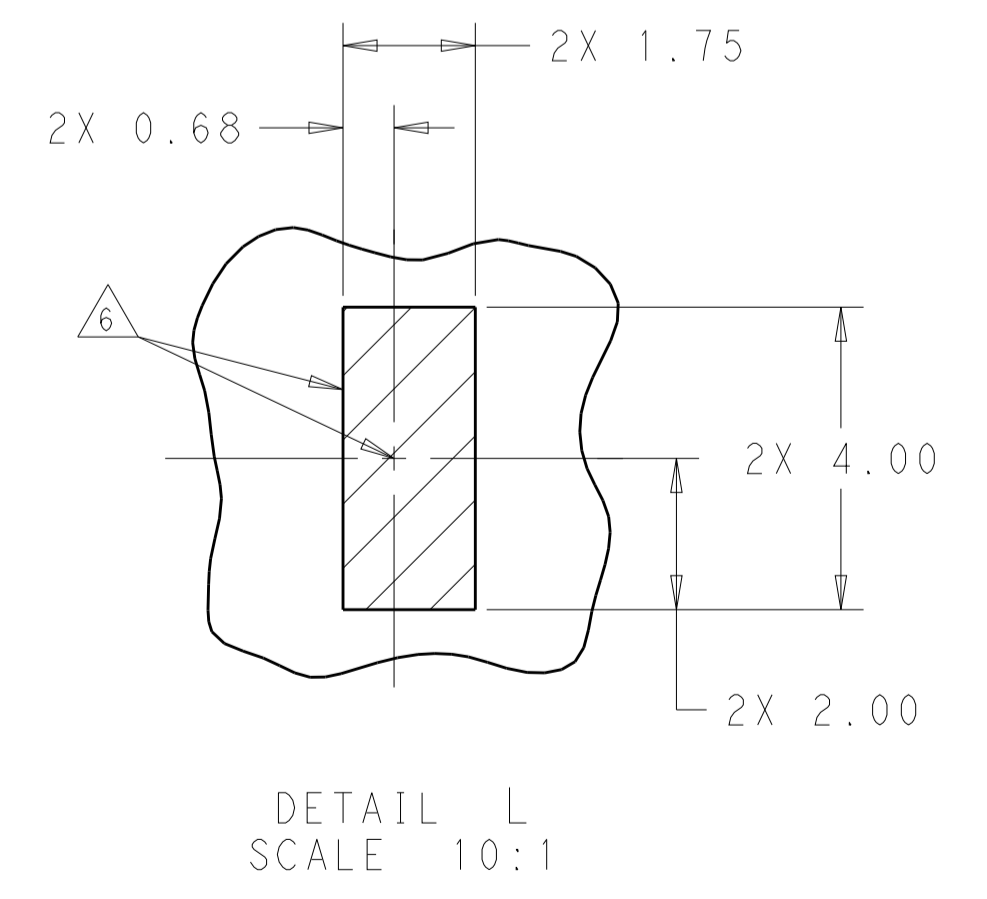
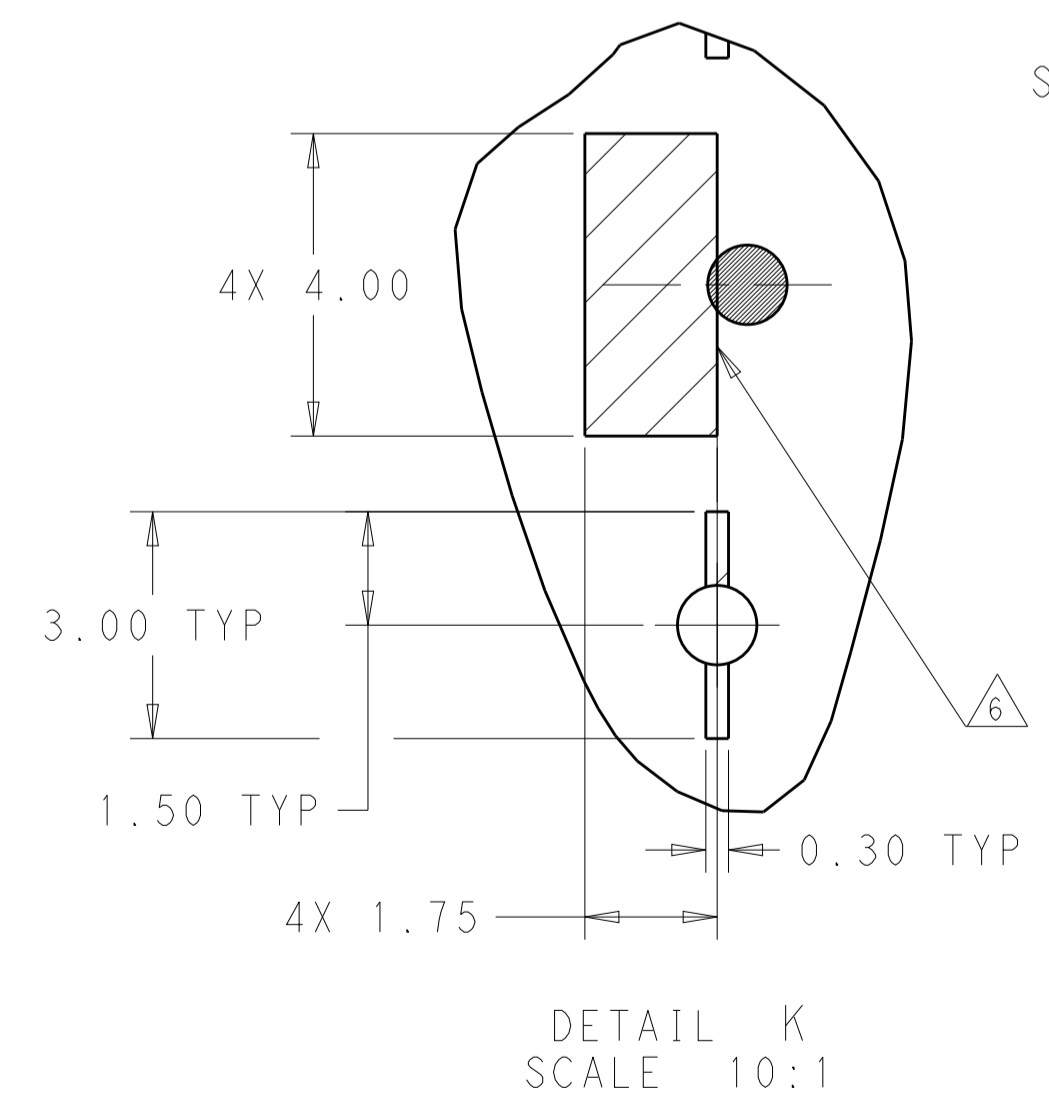
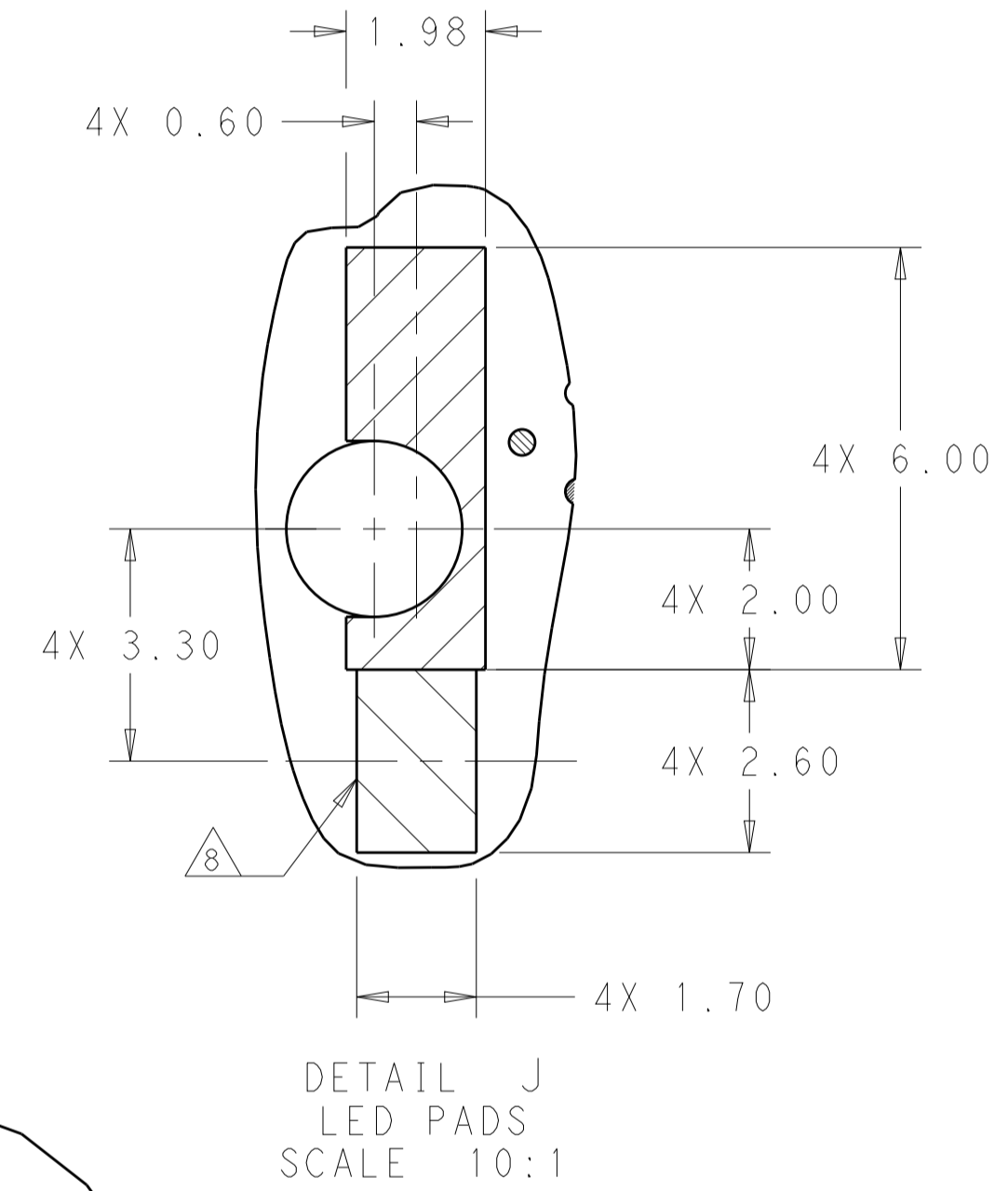
LOC		DIST		REVISIONS			
GP	00	P	LTM	DESCRIPTION	DATE	DWN	APVD
		-	-	SEE SHEET 1	-	-	-



KEEPOUT AREAS
 TOP COMPONENT SIDE OF BOARD
 (PCB TOLERANCE ±0.05)
 SCALE 5:1

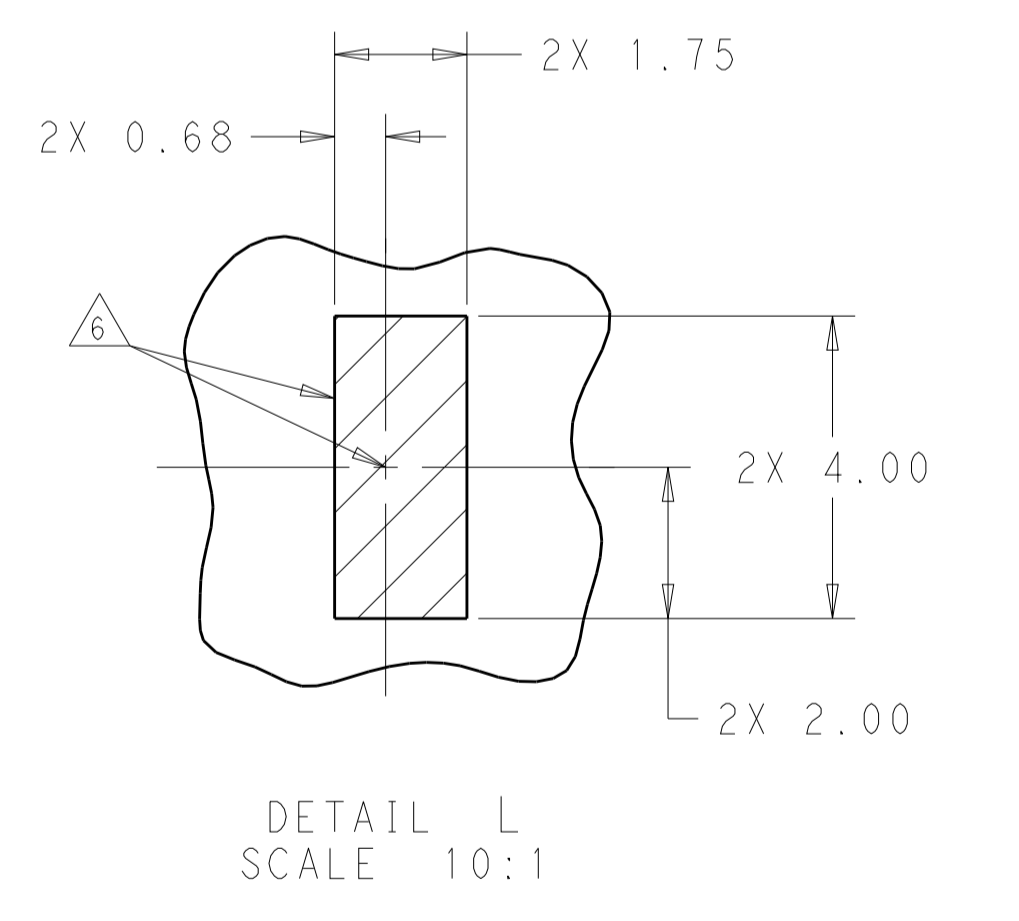
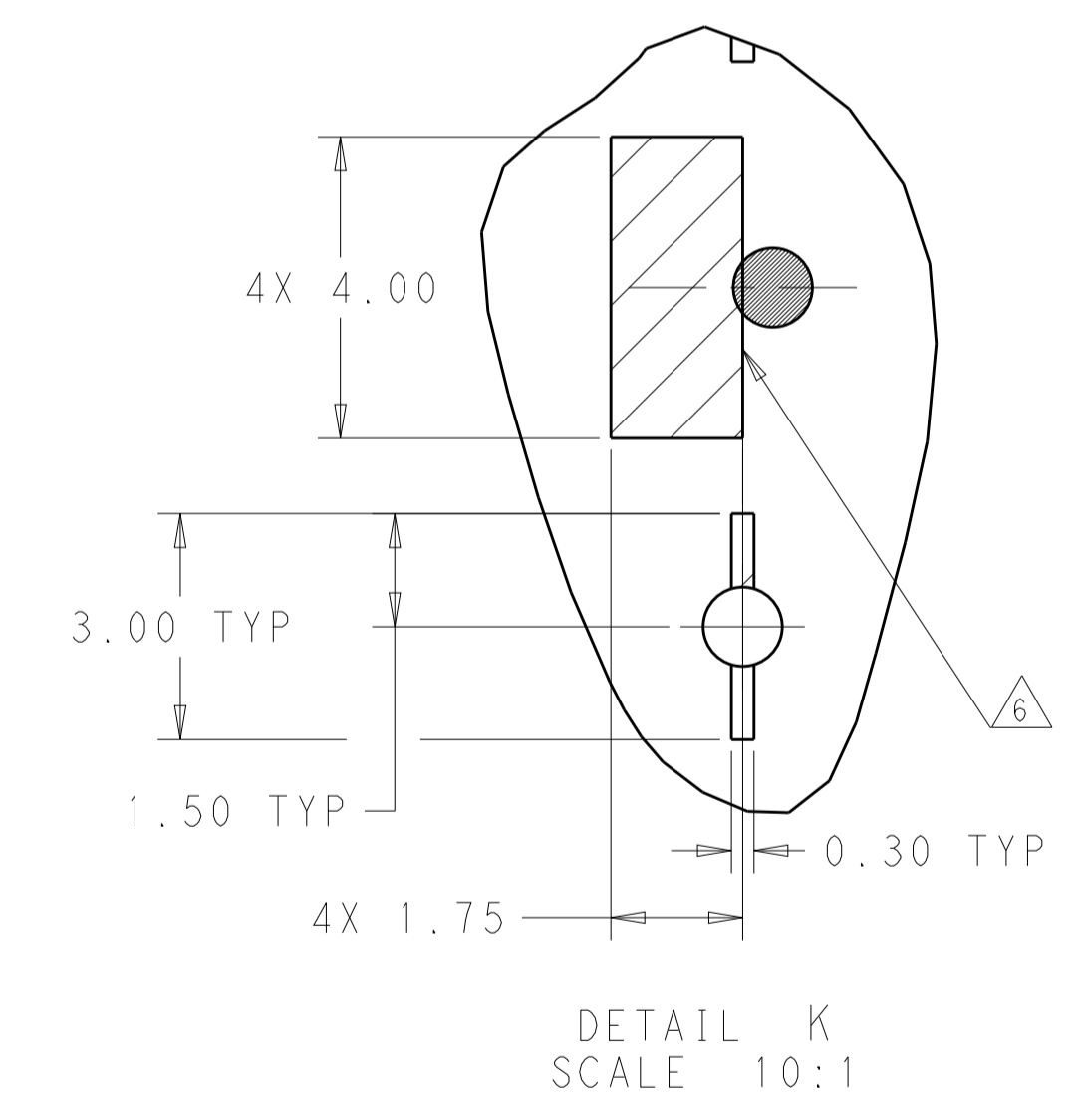
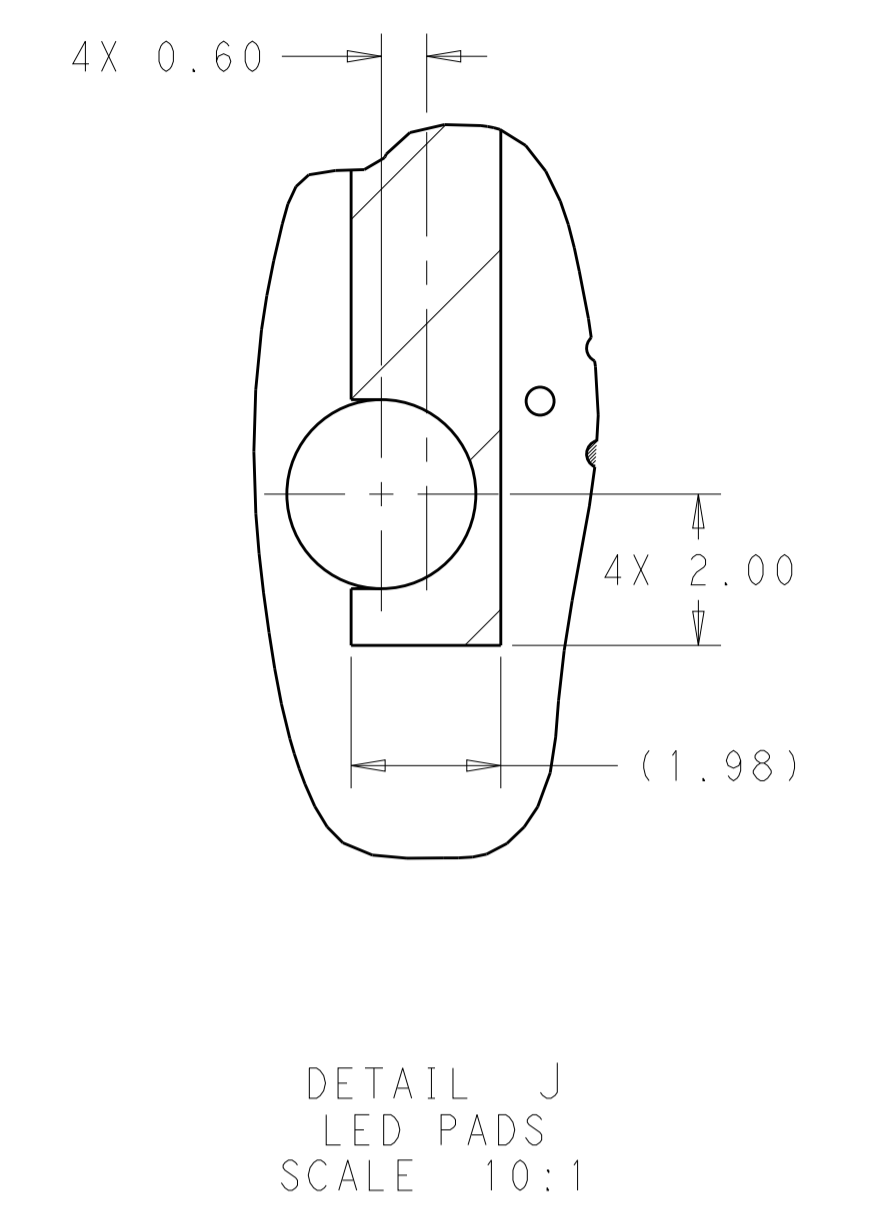
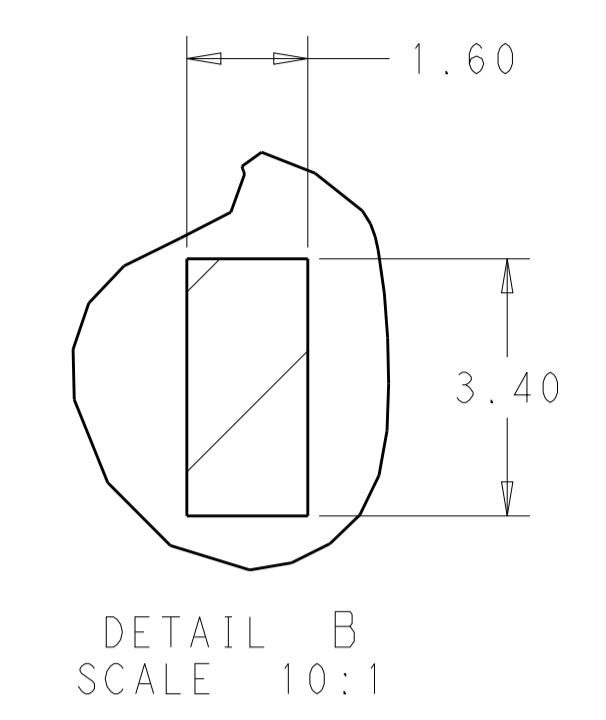
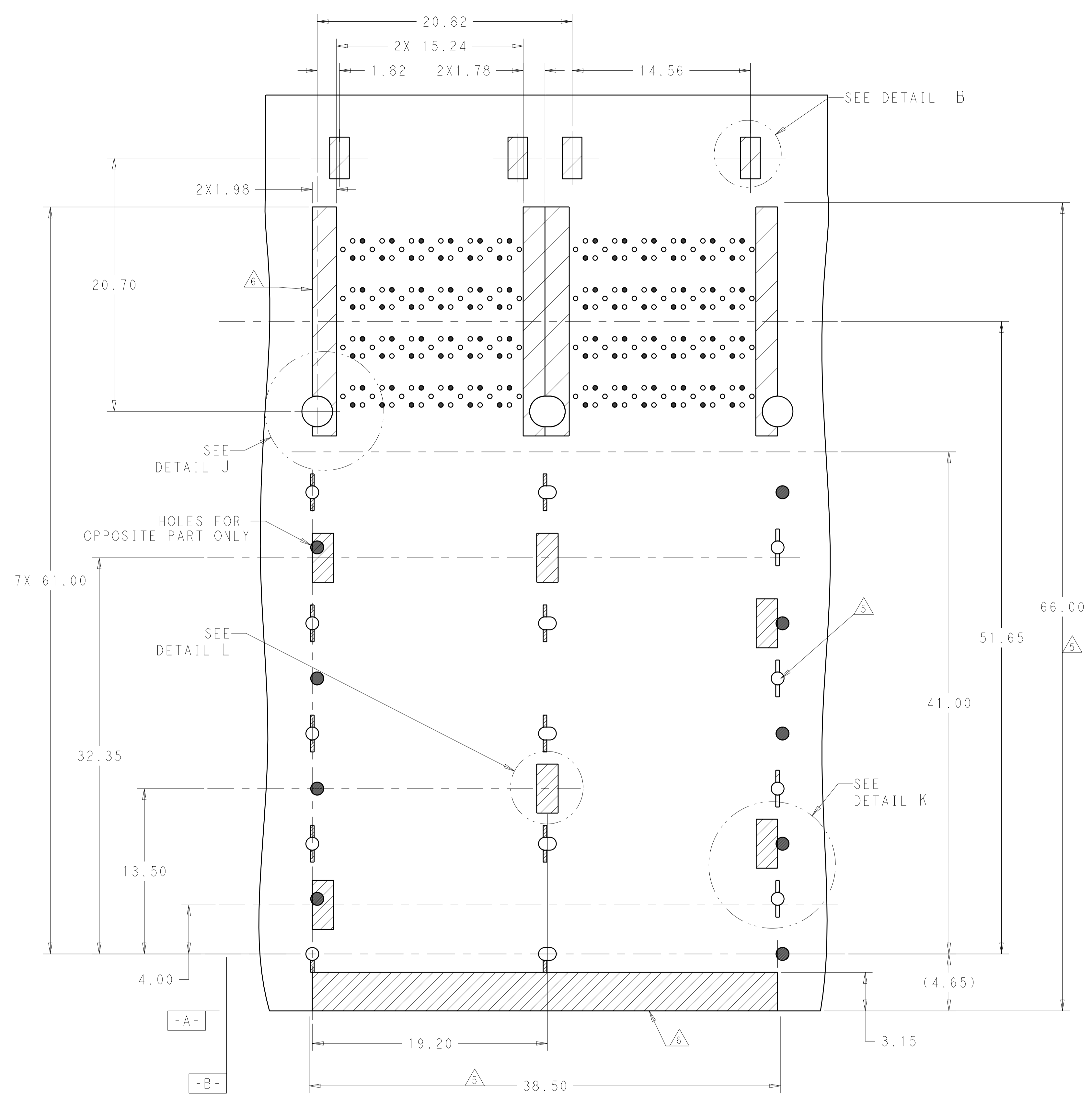


OPTIONAL TO REMOVE THIS HOLE
 FOR 1-2308171-0 AND 1-2308171-1



THIS DRAWING IS A CONTROLLED DOCUMENT.		DWN: TIM XUE 17AUG2016	TE Connectivity
DIMENSIONS: mm		CHK: SEAN HAN 17AUG2016	
TOLERANCES UNLESS OTHERWISE SPECIFIED:		APVD: SEAN HAN 17AUG2016	NAME: zQSFP+ 2X2.4 INTERNAL LIGHT PIPES WITH EMI SPRING FINGERS, BELLY TO BELLY APPLICATION
0 PLC ±0.25	1 PLC ±0.20	PRODUCT SPEC: 108-60102	SIZE: 114-60015
2 PLC ±0.20	3 PLC ±0.20	APPLICATION SPEC: 114-60015	WEIGHT: -
4 PLC ±0.20	5 PLC ±0.20	FINISH: -	CAGE CODE: A100779
ANGLES ±0.20	FINISH: -	WEIGHT: -	DRAWING NO: C=2308171
MATERIAL: SEE NOTE 1	FINISH: -	WEIGHT: -	CUSTOMER DRAWING
SEE NOTE 2	FINISH: -	WEIGHT: -	SCALE: 1:1 SHEET 8 OF 10 REV D1

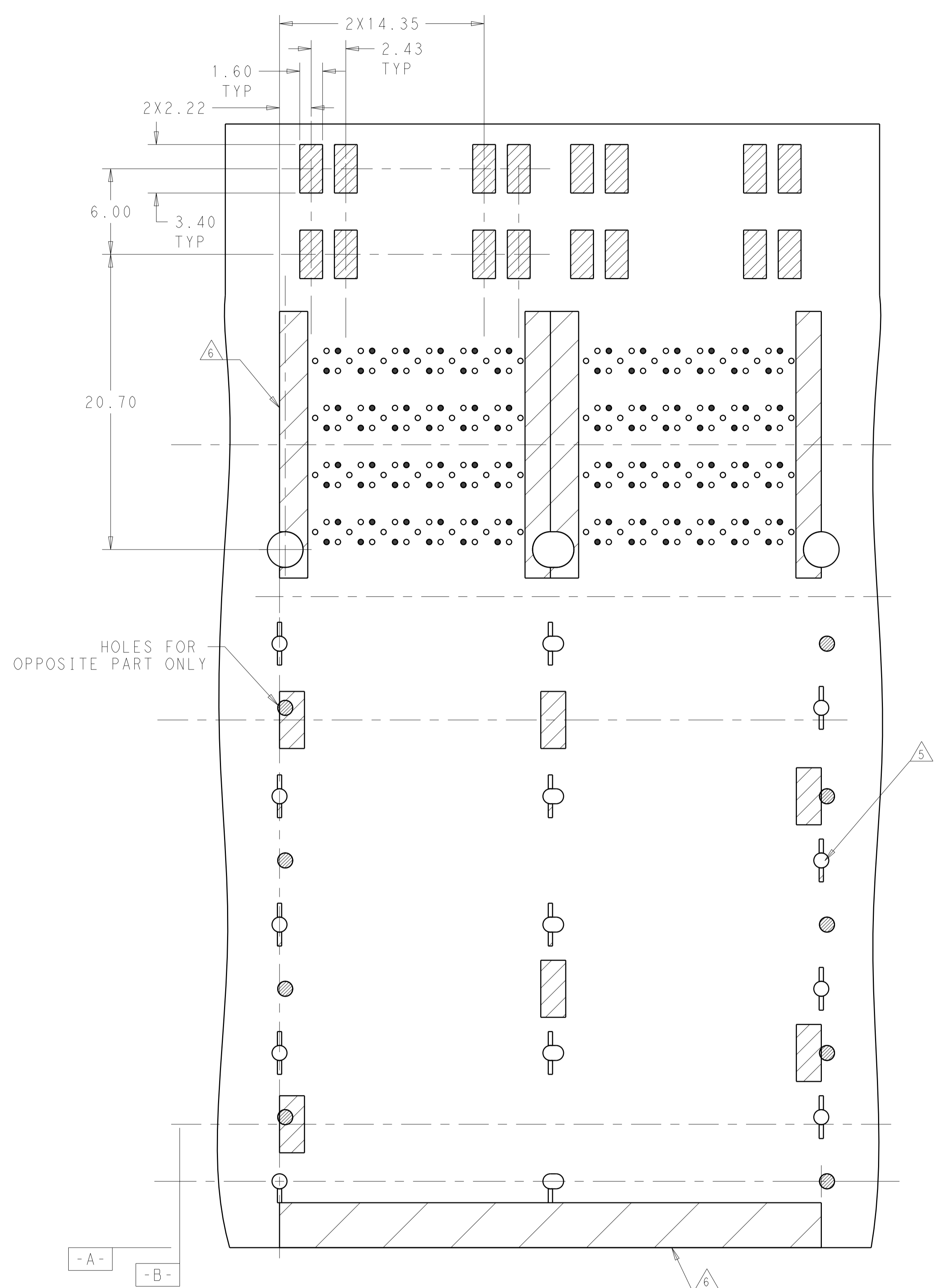
LOC	DIST	REVISIONS					
GP	00	P	LTN	DESCRIPTION	DATE	DMN	APVD
		-		SEE SHEET 1	-	-	-



KEEPOUT AREAS OF 2-2308171-0
 TOP COMPONENT SIDE OF BOARD
 (PCB TOLERANCE ±0.05)
 SCALE 5:1

THIS DRAWING IS A CONTROLLED DOCUMENT.		DMN TIM XUE 17AUG2016	TE Connectivity
DIMENSIONS: mm		CHK SEAN HAN 17AUG2016	
TOLERANCES UNLESS OTHERWISE SPECIFIED:		APVD SEAN HAN 17AUG2016	NAME zQSFP+ 2X2.4 INTERNAL LIGHT PIPES WITH EMI SPRING FINGERS, BELLY TO BELLY APPLICATION
0 PLC ±	1 PLC ±0.25	PRODUCT SPEC	108-60102
2 PLC ±0.20	3 PLC ±	APPLICATION SPEC	114-60015
4 PLC ±	ANGLES ±	SIZE	CAGE CODE DRAWING NO
MATERIAL	FINISH	WEIGHT	A100779C=2308171
SEE NOTE 1	SEE NOTE 2	CUSTOMER DRAWING	SCALE 1:1 SHEET 9 OF 10 REV D1

LOC	DIST	REVISIONS			
P	LTN	DESCRIPTION	DATE	DWN	APVD
-	-	SEE SHEET 1	-	-	-



KEEPOUT AREAS OF 2-2308171-1
 TOP COMPONENT SIDE OF BOARD
 UNSPECIFIED SPEC, REFER TO
 2-2308171-0 PCB LAYOUT
 (PCB TOLERANCE ± 0.05)
 SCALE 5:1

THIS DRAWING IS A CONTROLLED DOCUMENT.		DWN	TIM XUE	17AUG2016	TE Connectivity			
DIMENSIONS:		CHK	SEAN HAN	17AUG2016				
mm		APVD	SEAN HAN	17AUG2016				
0 PLC \pm 1 PLC ± 0.25 2 PLC ± 0.20 3 PLC \pm 4 PLC \pm ANGLES \pm		NAME	zOSFP+ 2X2.4 INTERNAL LIGHT PIPES WITH EMI SPRING FINGERS, BELLY TO BELLY APPLICATION					
MATERIAL		PRODUCT SPEC	108-60102		SIZE	CAGE CODE	DRAWING NO	RESTRICTED TO
SEE NOTE 1		APPLICATION SPEC	114-60015		A1	00779	C=2308171	-
SEE NOTE 2		FINISH	-		SCALE	1:1	SHEET 10	OF 10
CUSTOMER DRAWING		WEIGHT	-		REV	D1		

X-ON Electronics

Largest Supplier of Electrical and Electronic Components

Click to view similar products for [I/O Connectors](#) category:

Click to view products by [TE Connectivity](#) manufacturer:

Other Similar products are found below :

[571763P](#) [72.250.1628.2](#) [72.250.2428.2](#) [74720-0505](#) [76.350.0729.0](#) [76871-1403](#) [FCN-244F080-G/1](#) [FCN-260A9920](#) [MP-5T180MUNNA-005](#)
[PCR-E36PM](#) [PCS-XE26MA+](#) [G38A71314B](#) [1571250010](#) [157-22500-3](#) [MS3471L14-19P L/C](#) [91-569786-35H](#) [172501-4002](#) [172501-6002](#)
[FCN-260C008-A/L0](#) [FCN-260C024-AL0](#) [FCN-261Z008](#) [2000314-1](#) [200331-1](#) [PCR-E36FC+](#) [PCS-E28FS+](#) [PCS-XE26SLFD+](#) [PCS-](#)
[XE26SLFDT+](#) [G730VID08BDC24](#) [U90B2054081210](#) [UE86K842720321](#) [38113800006](#) [DP3AR020WQ1R200](#) [Z4.102.0680.0](#) [500-1040](#)
[500-1052](#) [500-1054](#) [ZP-4008-66L](#) [0709821002](#) [10-565995-597N](#) [DX40-20P\(55\)](#) [5554841-1](#) [MS3474W18-8P-LC*](#) [U90B3054061110](#) [U65-](#)
[E04-4020](#) [ZPF000000000097891](#) [557-262M2-06C](#) [747360449](#) [10099439-003C-TRLF](#) [10137239-0021LF](#) [E9320-001-01](#)