

4

3

2

1

THIS DRAWING IS UNPUBLISHED.

RELEASED FOR PUBLICATION

-, -

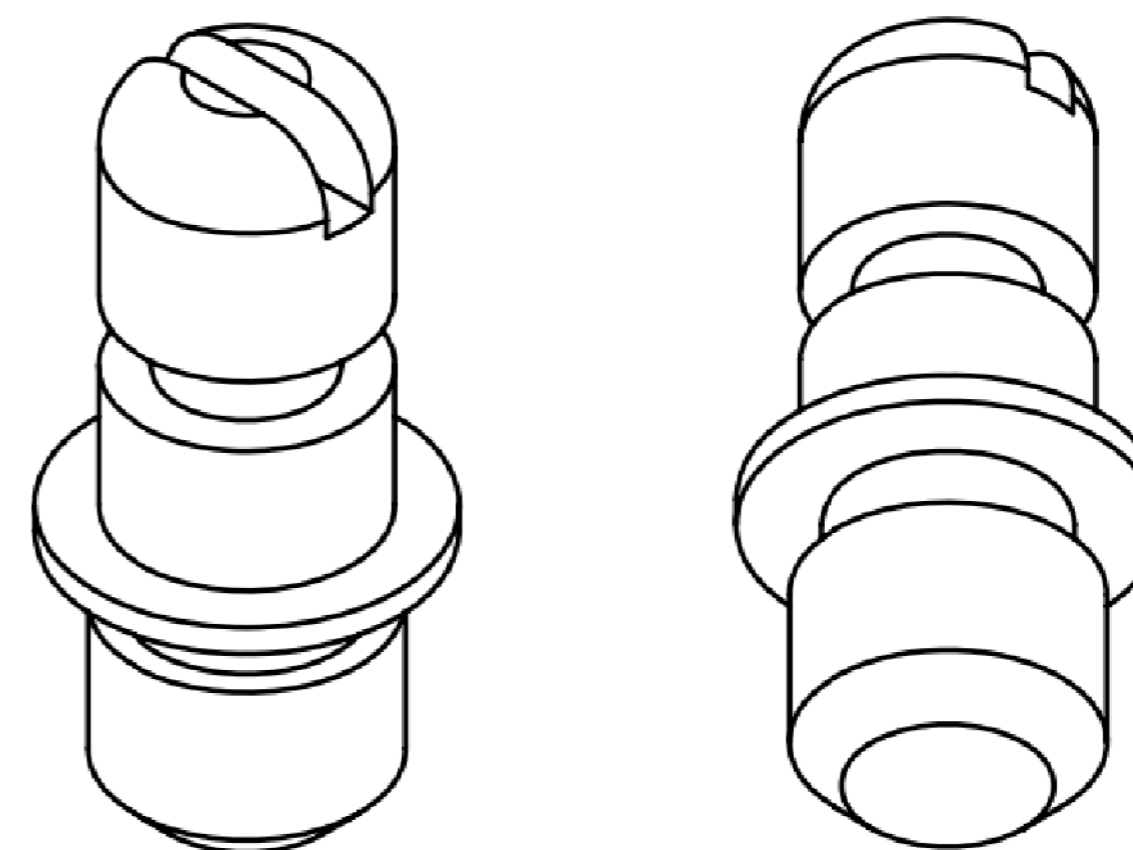
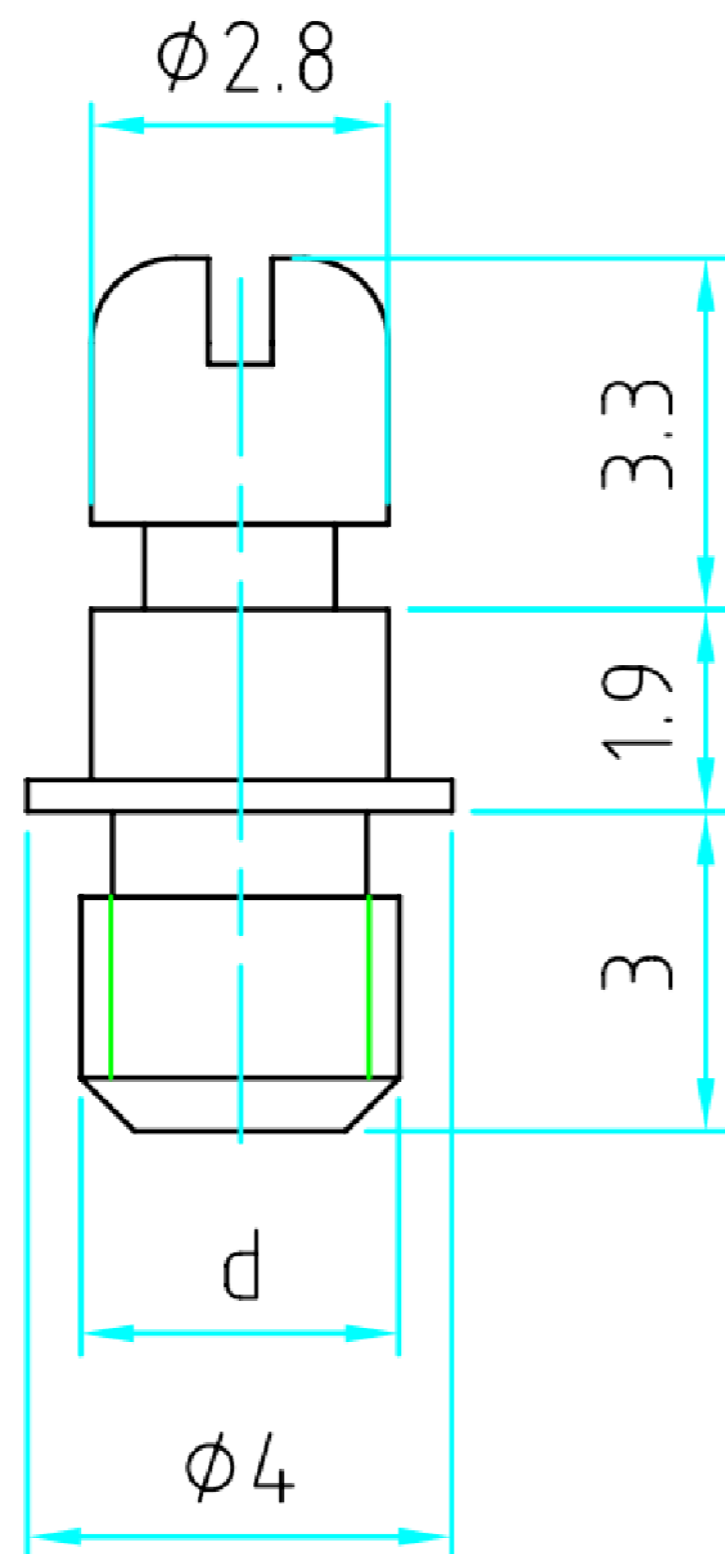
© COPYRIGHT - By -

ALL RIGHTS RESERVED.

REVISIONS

P	LTR	DESCRIPTION	DATE	DWN	APVD
	A2	REVISED PER ECR-17-006621	09MAY2017	KK	SE

PROJECT	PRJ-16-000909157
PART NO.	X-2308273-X
DESCRIPTION	QL-SET FOR VAR. A WITH STOP MOUNTING KIT FOR COMBI LOCK
CUSTOMER	GENERAL MARKET



M 1:1



1-2308273-2	VARIANT A W/STOP MOUNTING KIT (UNC)	1-2308352-2	LATCH PIN 2 (UNC)	4-40 UNC	2
1-2308273-1	VARIANT A W/STOP MOUNTING KIT (METRIC)	3-2308352-4	LATCH PIN 24 (METRIC)	M3	2
PART-NO.	DESCRIPTION	SUB-PART NO.	DESCRIPTION	THREAD "d"	QTY
		POS.1			

NOTES:

- 1. WEIGHT: 0.4 g.
- 2. FINISHING PROCESS: 4-7 μ Sn OVER 2-3 μ Cu.

THIS DRAWING IS A CONTROLLED DOCUMENT.		DWN KIRAN K 27JUL2016															
DIMENSIONS: mm		CHK GUNASEKHAR G 27JUL2016															
TOLERANCES UNLESS OTHERWISE SPECIFIED: DIN ISO 2768 m		APVD GUNASEKHAR G 27JUL2016	NAME QL-SET FOR VAR. A WITH STOP MOUNTING KIT FOR COMBI LOCK														
<table border="1"> <tr><td>0 PLC</td><td>± -</td></tr> <tr><td>1 PLC</td><td>± -</td></tr> <tr><td>2 PLC</td><td>± -</td></tr> <tr><td>3 PLC</td><td>± -</td></tr> <tr><td>4 PLC</td><td>± -</td></tr> <tr><td>ANGLES</td><td>± -</td></tr> </table>		0 PLC	± -	1 PLC	± -	2 PLC	± -	3 PLC	± -	4 PLC	± -	ANGLES	± -	PRODUCT SPEC	RESTRICTED TO		
0 PLC	± -																
1 PLC	± -																
2 PLC	± -																
3 PLC	± -																
4 PLC	± -																
ANGLES	± -																
MATERIAL		APPLICATION SPEC	SIZE A3	CAGE CODE 00779	DRAWING NO C=2308273												
FINISH		WEIGHT	SCALE NTS		SHEET 1 OF 1												
CUSTOMER DRAWING			REV A2														

X-ON Electronics

Largest Supplier of Electrical and Electronic Components

Click to view similar products for [D-Sub Tools & Hardware](#) category:

Click to view products by [TE Connectivity](#) manufacturer:

Other Similar products are found below :

[000-01-09-132](#) [000-01-21-132](#) [000-01-31-162](#) [572019-00105-70](#) [000-01-37-162](#) [621-250-113-115](#) [D110550-2](#) [D20418-137](#) [780-518-50SG6-WS](#) [86552009](#) [86553115TLF](#) [86553117TLF](#) [1230032-1](#) [1-5021101-2](#) [1589283-4](#) [160-000-005R031](#) [16-000230](#) [160-025-004R031](#) [160-000-137R000](#) [160-020-209R000](#) [164C03939A](#) [177-505-A-2-2](#) [1-966830-8](#) [21018-6](#) [21028-2](#) [2-1393560-9](#) [JS-1000](#) [L17D204182M3E](#) [L17D53018](#) [300X10779X](#) [160X10189X](#) [160X10419X](#) [160X10959X](#) [162-000-050R000](#) [21018-5](#) [212561-3](#) [248C21550X](#) [CF15P](#) [QLOCKPOST-2](#) [D110277](#) [500-008NF1K-01](#) [500-008NF3R3KS-01](#) [500-017M09FN](#) [500-017M15MHN](#) [500-024M1](#) [500-068M3](#) [5-1393561-5](#) [C115373-0001](#) [C115373-0002](#) [3342-4-KIT](#)