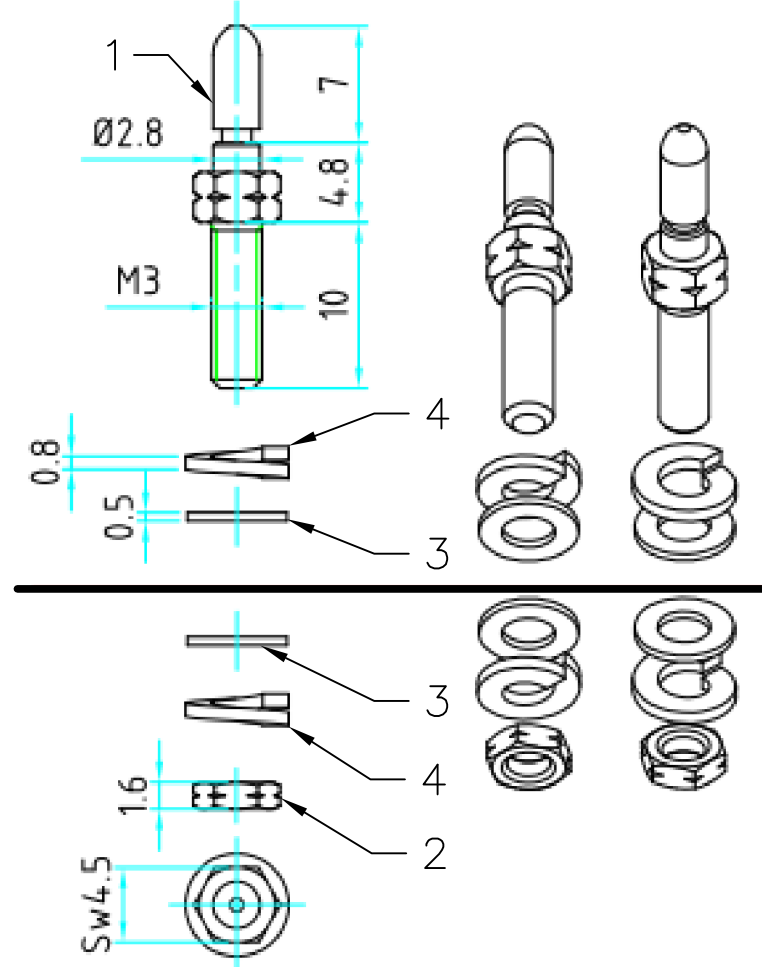


THIS DRAWING IS UNPUBLISHED. RELEASED FOR PUBLICATION  
 © COPYRIGHT - By - ALL RIGHTS RESERVED.

PROJECT	PRJ-16-000909157
PART NO.	1-2308290-1
DESCRIPTION	QL-SET FOR MODEL C VW REAR WALL MOUNTING
CUSTOMER	GENERAL MARKET

REVISIONS				
P	LTR	DESCRIPTION	DATE	APVD
	A1	REVISED PER ECR-16-013123	19SEP2016	KK GG

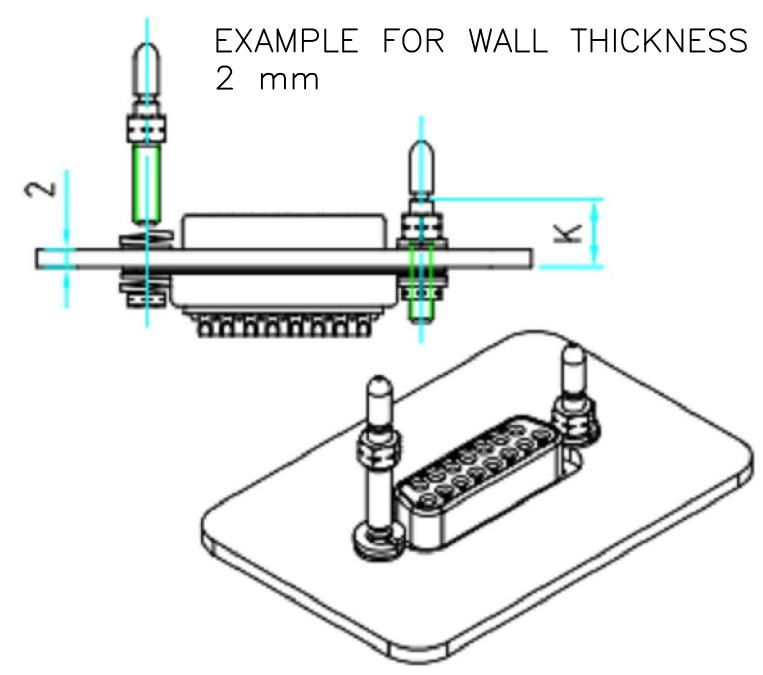


FRONT SIDE (SEE TAB)  
 REAR SIDE

ACCESSORIES FROM THE FRONT SIDE

WALL THICKNESS, mm	PART TO BE USED
1.7-2.0	
2.2-2.5	
2.5-2.8	
3.0-3.3	-

- NOTES:
- DIMENSION SHALL REMAIN IN THE RANGE OF 7.8-8.1 MM.
  - WEIGHT: 4 g
  - FINISHING PROCESS: LATCH PIN Cu2/Sn4.



4	4	1-2308290-1	SPRING WASHER B3 DIN 127 STAINLESS STEEL
3	4		DISC WASHER A3 DIN 433 STAINLESS STEEL
2	2		NUT
1	2		LATCH PIN 36 (METRIC) (P/N 4-2308352-6)
SL NO.	QTY	ASSY. PART NO.	DESCRIPTION

THIS DRAWING IS A CONTROLLED DOCUMENT.		DWN KIRAN K 28JUL2016	TE Connectivity	
DIMENSIONS: mm		CHK GUNASEKHAR G 28JUL2016		
TOLERANCES UNLESS OTHERWISE SPECIFIED: DIN ISO 2768 m		APVD GUNASEKHAR G 28JUL2016	NAME QL-SET FOR VARIANT C VW REAR WALL MOUNTING	
0 PLC ± - 1 PLC ± - 2 PLC ± - 3 PLC ± - 4 PLC ± - ANGLES ± -		PRODUCT SPEC -	SIZE A3	
MATERIAL -		FINISH -	CAGE CODE 00779	DRAWING NO C-2308290
		WEIGHT	RESTRICTED TO -	
		CUSTOMER DRAWING	SCALE NTS	SHEET 1 of 1
			REV A1	

## X-ON Electronics

Largest Supplier of Electrical and Electronic Components

*Click to view similar products for [D-Sub Tools & Hardware](#) category:*

*Click to view products by [TE Connectivity](#) manufacturer:*

Other Similar products are found below :

[000-01-09-132](#) [000-01-21-132](#) [000-01-31-162](#) [572019-00105-70](#) [000-01-37-162](#) [621-250-113-115](#) [D110550-2](#) [D20418-137](#) [780-518-50SG6-WS](#) [86552009](#) [86553115TLF](#) [86553117TLF](#) [1230032-1](#) [1-5021101-2](#) [15-000050](#) [1589283-4](#) [160-000-005R031](#) [16-000230](#) [160-025-004R031](#) [160-000-137R000](#) [160-020-209R000](#) [160X10909X](#) [164C03939A](#) [177-505-A-2-2](#) [1-966830-8](#) [21018-6](#) [2-1393560-9](#) [JS-1000](#) [L17D204182M3E](#) [L17D53018](#) [300X10779X](#) [160X10189X](#) [160X10419X](#) [162-000-050R000](#) [21018-5](#) [212561-3](#) [248C21550X](#) [CF15P](#) [QLOCKPOST-2](#) [D110277](#) [500-008NF1K-01](#) [500-008NF3R3KS-01](#) [500-017M09FN](#) [500-017M15MHN](#) [500-024M1](#) [500-068M3](#) [5-1393561-5](#) [C115373-0001](#) [C115373-0002](#) [3342-4-KIT](#)