

THIS DRAWING IS UNPUBLISHED. RELEASED FOR PUBLICATION. ALL RIGHTS RESERVED.

PROJECT	PRJ-16-000909157
PART NO.	X-2308321-X
DESCRIPTION	FULL METAL HOODS SIZE 2
CUSTOMER	GENERAL MARKET

REVISIONS					
P	LTR	DESCRIPTION	DATE	DWN	APVD
	A2	REVISED PER ECR-16-014891	20OCT2016	KK	GG

- NOTES:
1. TEMPERATURE: -40°C TO +90°C.
 2. STRAND DIAMETER OF CRIMP FLANGE: 2.7-8.7 mm.
 3. CABLE DIAMETER WITH EXTERNAL CABLE CLAMP: 4-14 mm.
 4. CABLE DIAMETER WITH INTERNAL CABLE CLAMP: d=4-10 mm (FOR d=4-7 mm TURN CABLE CLAMP).
 5. CABLE BUSHING FOR CABLE DIAMETER 4-9 mm.

- * CRIMP FLANGE PN *-2308349-* TO BE ORDERED SEPARATELY.
- * CRIMP BARREL TO BE USED IN COMBINATION WITH THE FLANGE PN *-2308350-* TO BE ORDERED SEPARATELY.
- * CABLE CLAMP SCREW VERSION PN *-2308272-* TO BE ORDERED SEPARATELY.

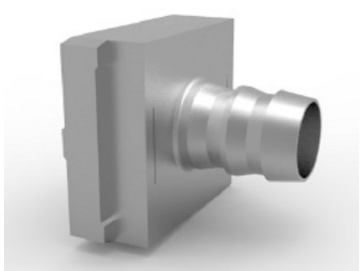
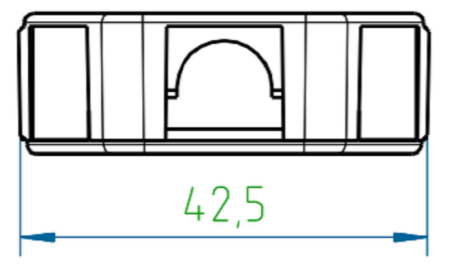
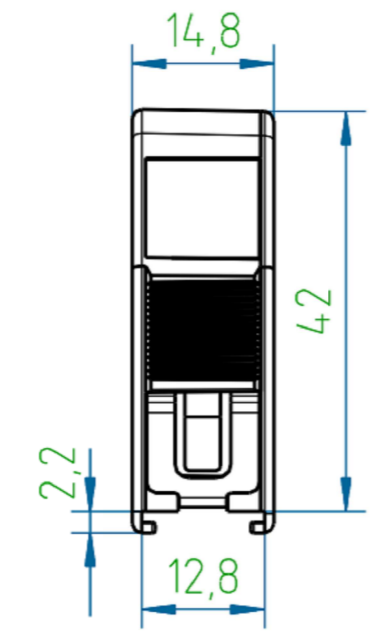
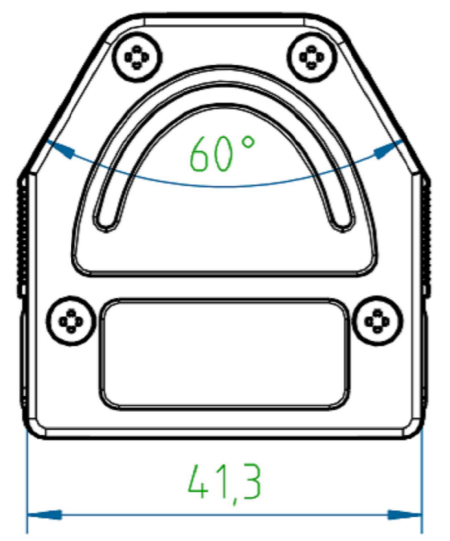
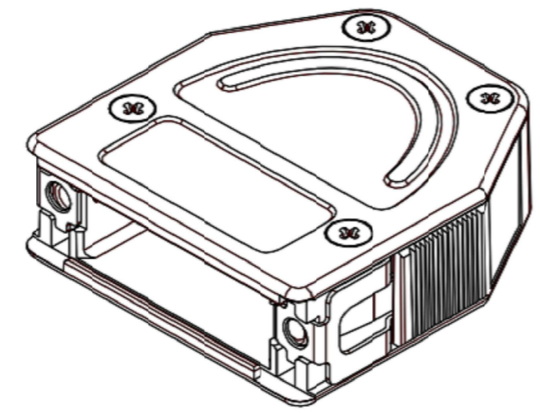
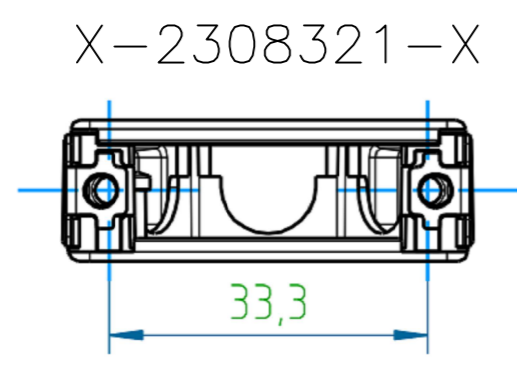
ASSY. PART NO.	DESCRIPTION	SUB-PART DESCRIPTION POS.1	POS. 3	POS. 5	POS. 6	POS. 7	WEIGHT, g
1-2308321-5	FULL METAL HOOD2 5	HOUSING 2	1	2	2	3	92
1-2308321-4	FULL METAL HOOD2 4	HOUSING 2	2	1	1	2	94
1-2308321-3	FULL METAL HOOD2 3	HOUSING 2	1	2	-	3	90
1-2308321-2	FULL METAL HOOD2 2	HOUSING 2	2	1	-	2	92
1-2308321-1	FULL METAL HOOD2 1	HOUSING 1	2	-	-	-	87

D

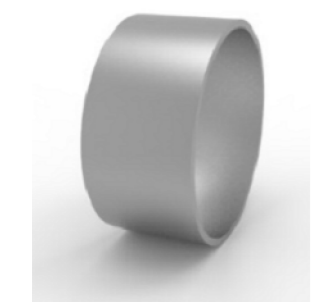
C

B

A



CRIMP FLANGE

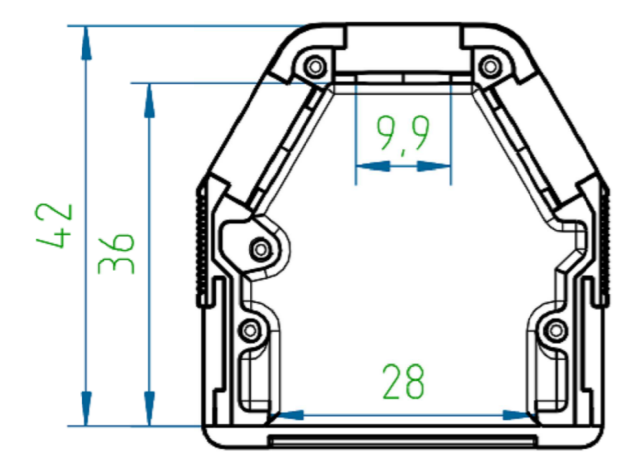


CRIMP BARREL

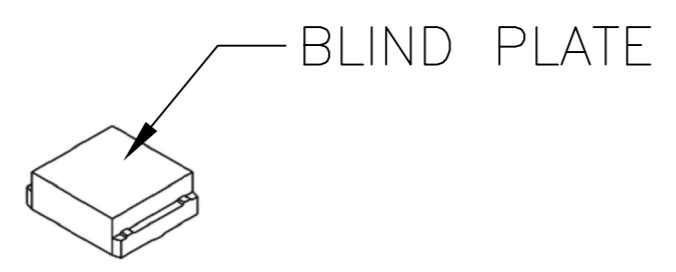
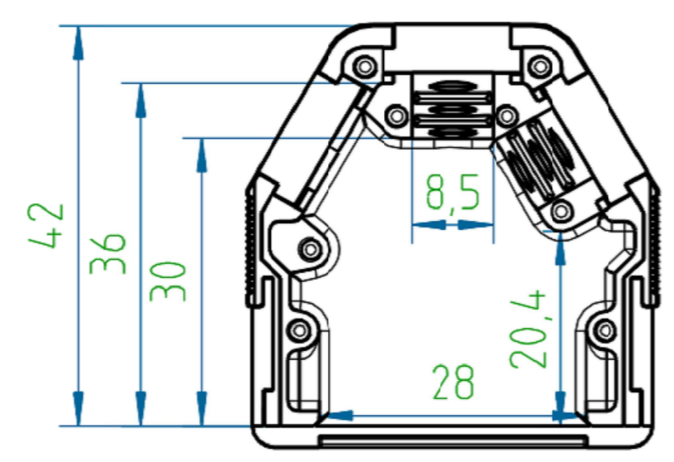


CABLE CLAMP

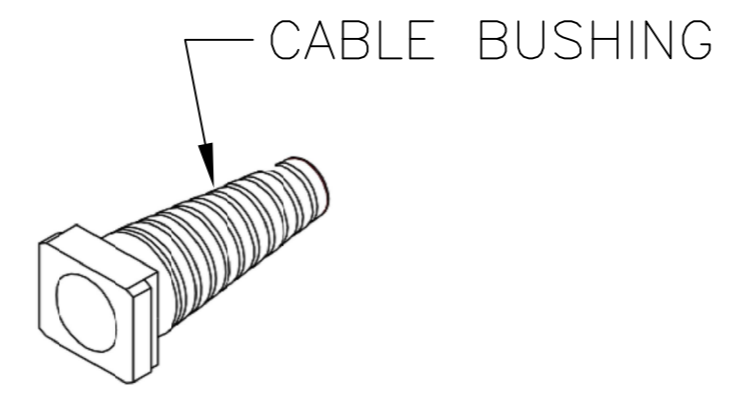
HOUSING 1



HOUSING 2



BLIND PLATE



CABLE BUSHING

	9	1	-	SCREW M2.5x5 (CASE HARDENING STEEL, ZINC-PLATED)	
	8	4	-	SCREW M2.5x6.5 (CASE HARDENING STEEL, ZINC-PLATED)	
	7	SEE TAB. POS.7	-	SCREW M2.5x6 (CASE HARDENING STEEL, ZINC-PLATED)	
	6	SEE TAB. POS.6	-	CABLE BUSHING (EPTR SANTOPRENE)	
	5	SEE TAB. POS.5	-	CABLE CLAMP (BAND STEEL, ZINC-PLATED)	
	4	2	-	CATCH SPRING (STAINLESS STEEL, RAW)	
	3	SEE TAB. POS.3	-	BLIND PLATE (ZINC ALLOY, RAW)	
	2	1	-	COVER (ZINC ALLOY, RAW)	
	1	1	SEE TAB. POS.1	HOUSING (ZINC ALLOY, RAW)	
SL NO.	QTY	ASSY. PART NO.	DESCRIPTION (MATERIAL, FINISH)		

THIS DRAWING IS A CONTROLLED DOCUMENT.

DWN: KIRAN K 03AUG2016
CHK: GUNASEKHAR G 03AUG2016
APVD: GUNASEKHAR G 03AUG2016

STE TE Connectivity

NAME: FULL METAL HOODS SIZE 2

PRODUCT SPEC: APPLICATION SPEC

SIZE: A2 CAGE CODE: 00779 DRAWING NO: C-2308321 RESTRICTED TO: -

CUSTOMER DRAWING SCALE: NTS SHEET: 1 of 1 REV: A2

X-ON Electronics

Largest Supplier of Electrical and Electronic Components

Click to view similar products for [D-Sub Backshells](#) category:

Click to view products by [TE Connectivity](#) manufacturer:

Other Similar products are found below :

[600X54009X](#) [M85049/6-38N](#) [M85049/86-12N03](#) [M85049/90-13P03](#) [70.350.0636.4](#) [70.350.2435.1](#) [72.350.1035.2](#) [72.352.2435.1](#)
[73.359.4035.3](#) [829472-1](#) [PCS-E20W](#) [970-015-040R011](#) [971-009-030R121](#) [971-009-040R011](#) [971-015-040R011](#) [DPH-B-003](#) [1437013-9](#)
[1484402-8](#) [156-3025-EX](#) [16-500800](#) [165X02659X](#) [165X03329A](#) [165X03399A](#) [165X10259X](#) [165X11759X](#) [165X11889X](#) [165X11899X](#)
[165X13019X](#) [165X13029X](#) [165X13169X](#) [165X13199X](#) [165X13239X](#) [165X13389X](#) [165X13489X](#) [165X14219X](#) [165X14429X](#)
[165X14449X](#) [165X17409X](#) [165X17439X](#) [165X17569X](#) [165X17599X](#) [165X17609X](#) [165X17889X](#) [165X17979X](#) [L171373](#) [971-025-](#)
[030R121](#) [300X10989X](#) [165X02609X](#) [165X02639X](#) [165X02689X](#)