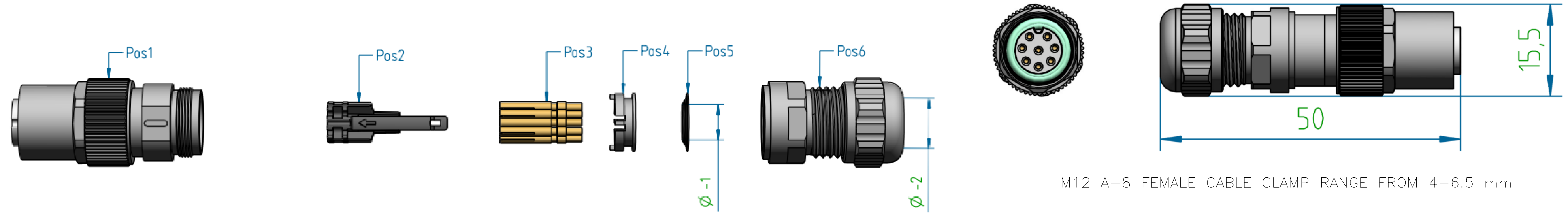


| | |
|-------------|--|
| PROJECT | PRJ-14-000004825 |
| PART NO. | X-2308323-X |
| DESCRIPTION | M12 A-CODED F-8 CABLE GLAND CONNECTOR FEMALE |
| CUSTOMER | GENERAL MARKET |

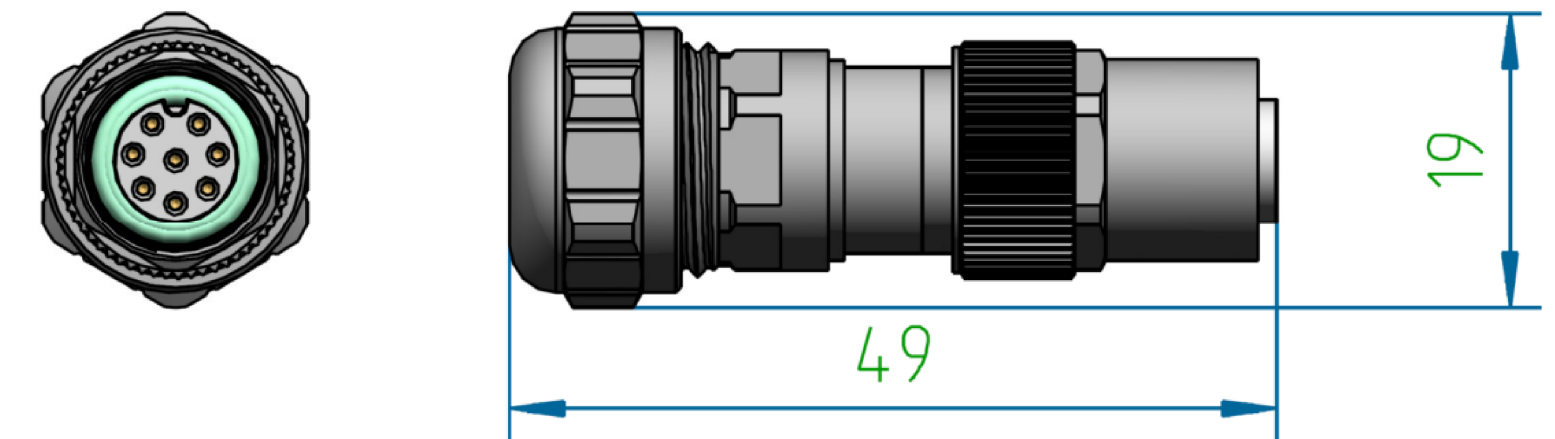
| REVISIONS | | | | | |
|-----------|-----|---|-----------|-----|------|
| P | LTR | DESCRIPTION | DATE | DWN | APVD |
| C | | REVERT BACK TO OLD DESIGN AS IN REVISION A4 | 08OCT2020 | GK | SE |



M12 A-8 FEMALE CABLE CLAMP RANGE FROM 4-6.5 mm

| 6 | 1 | CABLE GLAND | Cu-ALLOY |
|---------|-----|--------------------|------------------------|
| 5 | 1 | DISC | Cu-ALLOY |
| 4 | 1 | DISC HEAD | Cu-ALLOY |
| 3 | - | ORDERED SEPARATELY | Cu-ALLOY GOLD-PLATED |
| 2 | 1 | CONTACT HOLDER | PA (THERMOPLAST) |
| 1 | 1 | FRONT HOUSING | Cu-ALLOY NICKEL-PLATED |
| SL. NO. | QTY | DESCRIPTION | MATERIAL |

M12 A-CODED F-8 CABLE GLAND FEMALE CONNECTOR



M12 A-8 FEMALE CABLE CLAMP RANGE FROM 5.5-9 mm

| SL. NO. | TE PART NO. | DESCRIPTION | No. of CONTACTS | OUTSIDE CABLE DIA |
|---------|-------------|---|-----------------|-------------------|
| 1 | 1-2308323-1 | M12 A-CODED F-8 CABLE GLAND CONNECTOR FEMALE 4-6.5 mm | 8 | 4-6.5 mm |
| 2 | 1-2308323-2 | M12 A-CODED F-8 CABLE GLAND CONNECTOR FEMALE 5.5-9 mm | 8 | 5.5-9 mm |

| SHIELD DISC CHART | | |
|-------------------|-------------------------|---------------------------------|
| PART NAME | CENTER HOLE SHIELD DISC | CABLE DIAMETER W/O OUTER SHEATH |
| SHIELD DISC 1 | 4 mm | 3.9 mm MAX. |
| SHIELD DISC 2 | 5 mm | 4.9 mm MAX. |
| SHIELD DISC 3 | 6 mm | 5.9 mm MAX. |
| SHIELD DISC 4 | 7 mm | 6.9 mm MAX. |

| CONTACTS TABLE | | | | | |
|----------------|------------|---------|-----------|-------------|--|
| M12 CODING | PIN/SOCKET | PICTURE | WIRE SIZE | TE P/N | DESCRIPTION |
| A8 CODING | REC | | AWG22/24 | 1-2314101-1 | M12 CRIMP CONTACT SOCKET 0.8mm Au 0.8µ |
| | | | AWG26/28 | 1-2314101-2 | M12 CRIMP CONTACT SOCKET 0.8mm Au 0.8µ |

PLEASE NOTE: CONTACTS NEED TO BE ORDERED SEPARATELY DEPENDING ON THE AWG SIZE.

NOTES:

- ALL DIMENSIONS ARE FOR NOMINAL REFERENCE ONLY.
- PACKAGING: 1 PIECE IN A BAG.
- THE CONNECTOR IS AS PER IEC 61076-2-101.
- TEMPERATURE RANGE: -40°C TO 85°C.
- VIBRATION & SHOCK TEST CONDUCTED AS PER IEC 61373:1999.
- FIRE PERFORMANCE CONDUCTED AS PER EN45545-2, NFF16-101 AND NFF16-102.
- THE THREAD OF THE MATING INTERFACE WITH THE COUNTERPART IS M12x1 ACCORDING TO IEC61076-2-101.
- SUPPLIER RECOMMENDED CRIMP INSERT: SHOULD BE VALIDATED ON CABLE USED.
- SHIELD DISC 1 - 4 ARE SUPPLIED IN THE BOX.



ISO VIEW

| | | | | |
|---|--|--------------------------------------|--|-----------------------|
| THIS DRAWING IS A CONTROLLED DOCUMENT. | | DWN GOPALAKRISHNA HV 04AUG2020 | TE Connectivity | |
| DIMENSIONS: mm | | CHK S. EGBERT 04AUG2020 | NAME M12 A-CODED F-8 CABLE GLAND CONNECTORS FEMALE | |
| TOLERANCES UNLESS OTHERWISE SPECIFIED: DIN ISO 2768 m | | APVD S. EGBERT 04AUG2020 | PRODUCT SPEC 108-156001 | |
| 0 PLC ± - 1 PLC ± - 2 PLC ± - 3 PLC ± - 4 PLC ± - ANGLES ± - | | APPLICATION SPEC 114-156002 | DRAWING NO A2 00779 C-2308323 | |
| MATERIAL - | | WEIGHT - | SCALE NTS | RESTRICTED TO - |
| | | CUSTOMER DRAWING | | SHEET 1 of 1 REV C |

X-ON Electronics

Largest Supplier of Electrical and Electronic Components

Click to view similar products for [Circular Metric Connectors](#) category:

Click to view products by [TE Connectivity](#) manufacturer:

Other Similar products are found below :

[600X518037X](#) [6STD15PCR99B70A](#) [8R4000A16M020](#) [8R5000A16M005](#) [1200910002](#) [1203580030](#) [1200910008](#) [1200910011](#) [1300140094](#)
[130203-0054](#) [1300140026](#) [1300150099](#) [RF-12S1N8A90DU](#) [1612618](#) [21036836414](#) [8R4006A16M010](#) [1604232](#) [1R3006A20M005](#) [RF-](#)
[12P1N8A80DU](#) [RF-12P1N8A90DU](#) [41-40011](#) [42-00006](#) [42-01015](#) [4-22279-4](#) [4-22281-1](#) [4-22284-9](#) [43-00113](#) [43-01088](#) [43-01203](#) [41-](#)
[40013](#) [42-00008](#) [43-00343](#) [43-01032](#) [43-01162](#) [43-01173](#) [43-10000](#) [XS3P-M421-2](#) [600X518050X](#) [SACC-DSI-FS-5P-PG9-L180 SC](#)
[8R5006A16M020](#) [8R5006A16M005](#) [8R4000A16M010](#) [6-22279-3](#) [1605332](#) [N03FA03144](#) [1300140077](#) [43-16213](#) [43-01338](#) [XS2RD4265](#)
[XS2R-D426-1](#)