

4

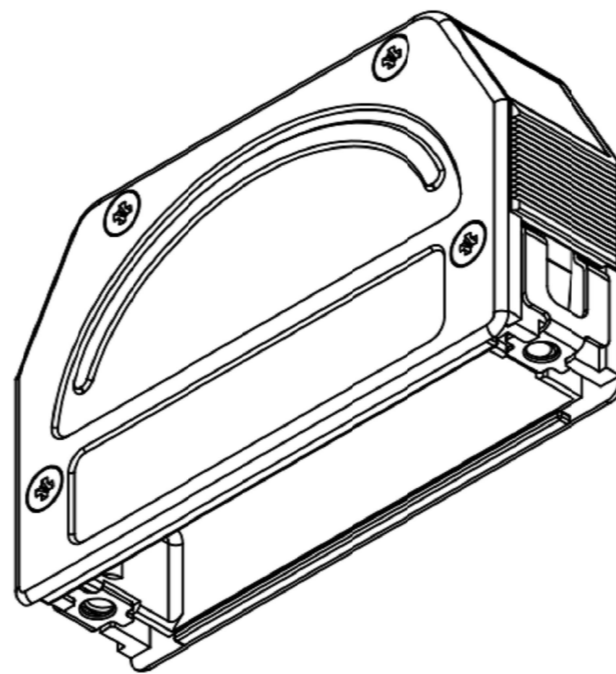
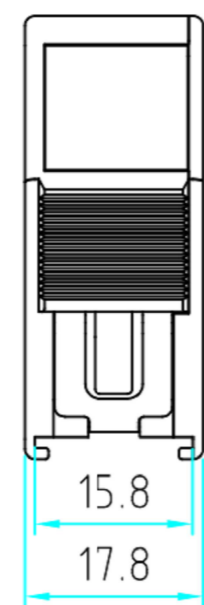
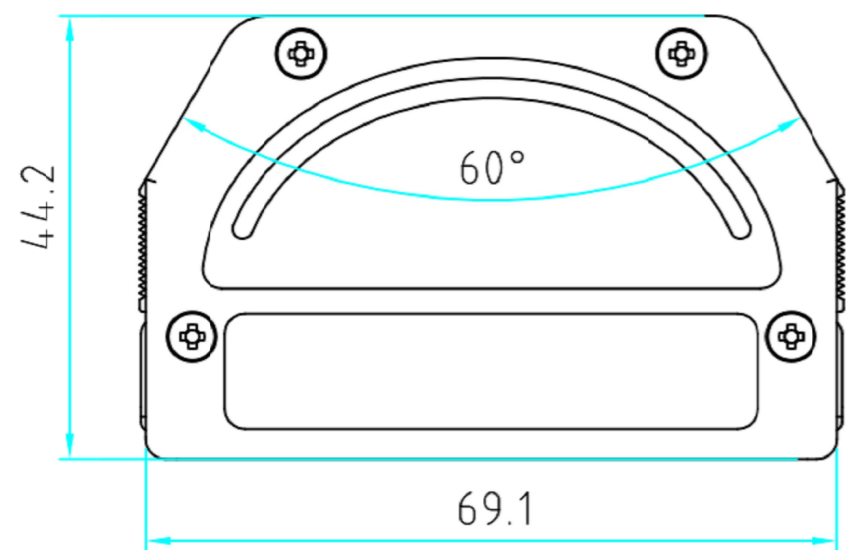
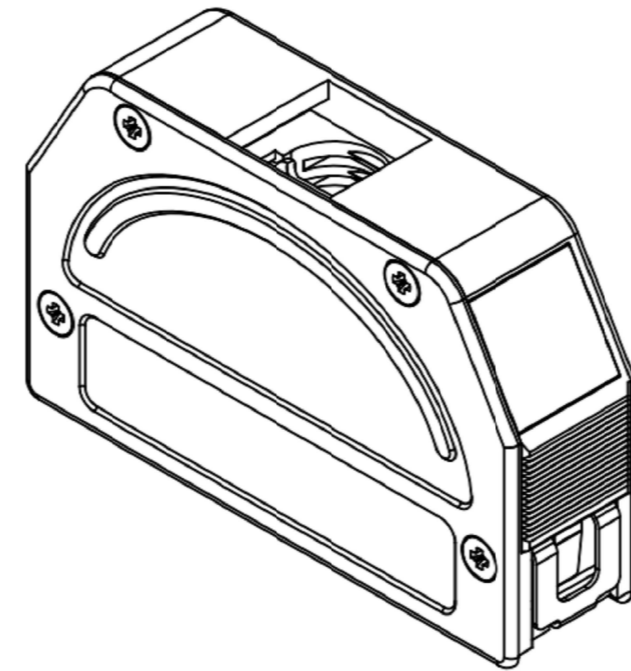
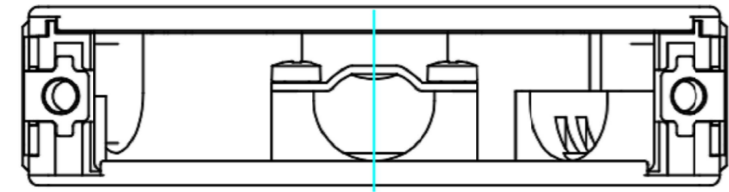
3

2

1

THIS DRAWING IS UNPUBLISHED.		RELEASED FOR PUBLICATION	
© COPYRIGHT - By -		ALL RIGHTS RESERVED.	
PROJECT	PRJ-16-000909157		
PART NO.	X-2308338-X		
DESCRIPTION	QL-FULL METAL HOODS SIZE 5		
CUSTOMER	GENERAL MARKET		

REVISIONS					
P	LTR	DESCRIPTION	DATE	DWN	APVD
	A2	REVISED PER ECR-16-014891	20OCT2016	KK	GG



NOTES:

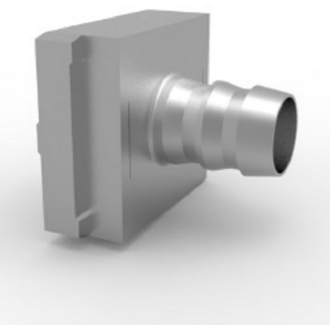
- 1. 1-2308338-1 = WITH 1 CABLE CLAMP.  
1-2308338-2 = WITH 2 CABLE CLAMP.
- 2. TEMPERATURE: -40°C TO 90°C.
- 3. CABLE DIAMETER: Dk=6-13 mm (FOR Dk=6-9 mm TURN CABLE CLAMP).
- 4. WEIGHT: 105 g.

\* CRIMP FLANGE PN \*-2308348-\* TO BE ORDERED SEPARATELY.

\* CRIMP BARREL TO BE USED IN COMBINATION WITH THE FLANGE PN \*-2308350-\* TO BE ORDERED SEPARATELY.

\* CABLE CLAMP SCREW VERSION PN \*-2308272-\* TO BE ORDERED SEPARATELY.

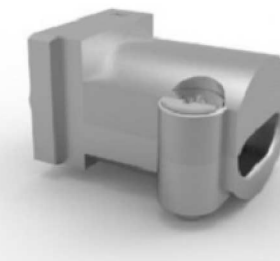
QTY	DESCRIPTION (MATERIAL, FINISH)
1	SCREW M2.5x5 (CASE HARDENING STEEL, ZINC-PLATED)
4	SCREW M2.5x6.5 (CASE HARDENING STEEL, ZINC-PLATED)
2	SCREW M2.5x6 (CASE HARDENING STEEL, ZINC-PLATED)
1	CABLE CLAMP (BAND STEEL, ZINC-PLATED)
2	CATCH SPRING (STAINLESS STEEL, RAW)
2	BLIND PLATE (ZINC ALLOY, RAW)
1	COVER (ZINC ALLOY, RAW)
1	HOUSING (ZINC ALLOY, RAW)
X=1 (1-2308338-1)	X=2 (1-2308338-2)



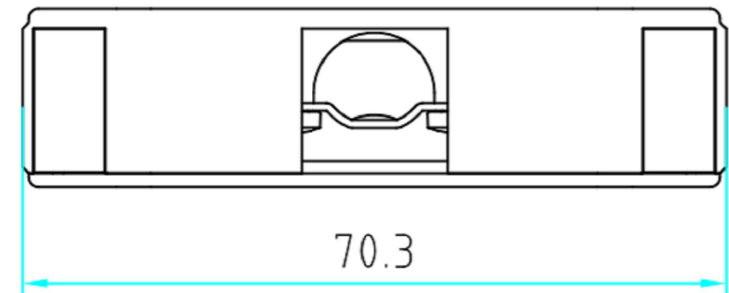
CRIMP FLANGE



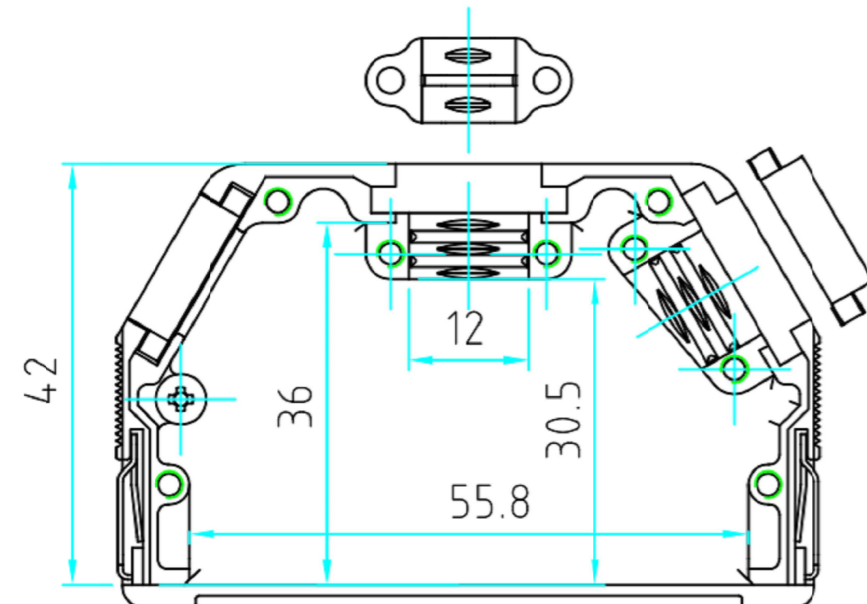
CRIMP BARREL



CABLE CLAMP

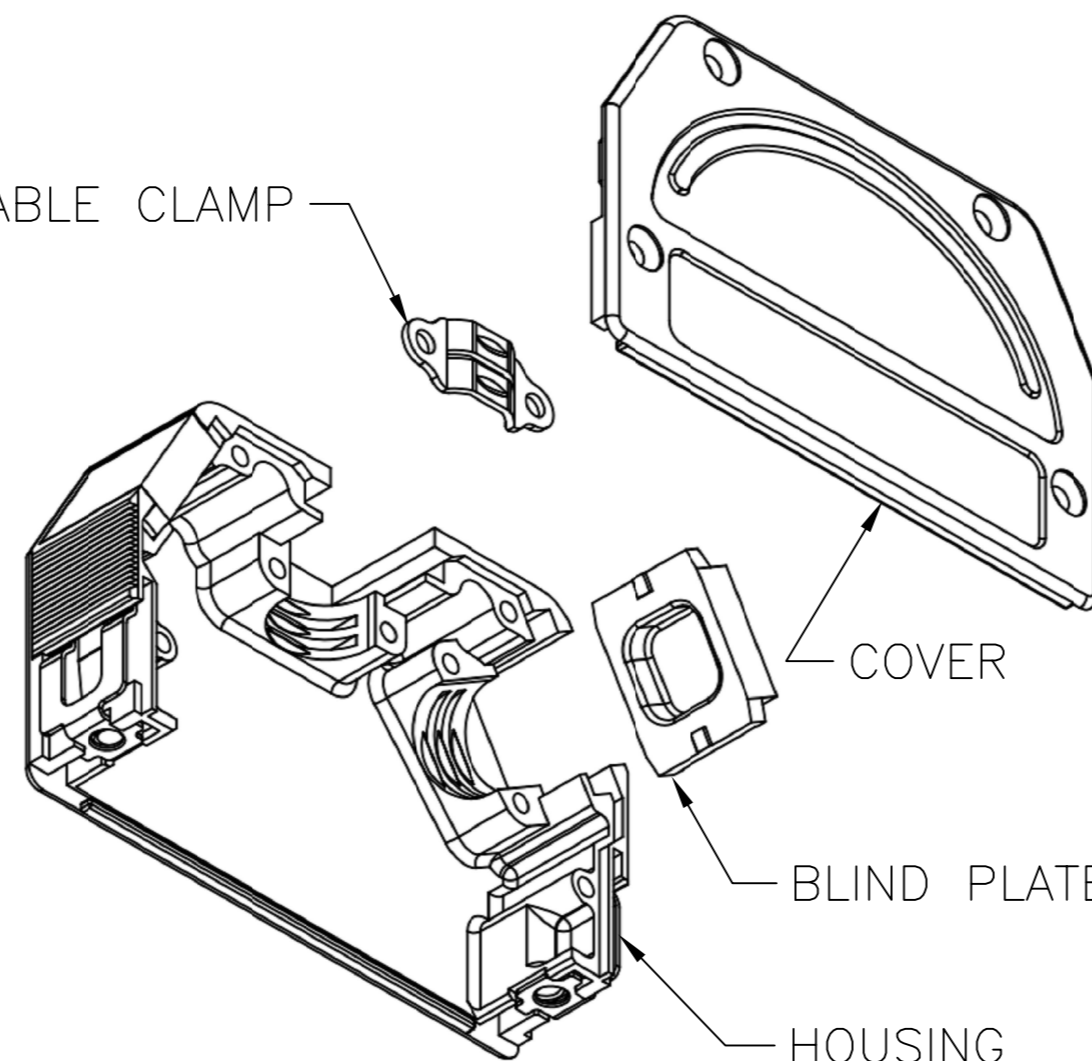


70.3



HOUSING OPEN

CABLE CLAMP

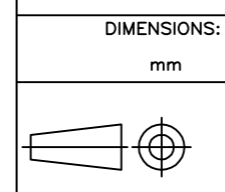


COVER

BLIND PLATE

HOUSING

THIS DRAWING IS A CONTROLLED DOCUMENT.



MATERIAL

DIMENSIONS:	TOLERANCES UNLESS OTHERWISE SPECIFIED:
mm	DIN ISO 2768 m
0 PLC	± -
1 PLC	± -
2 PLC	± -
3 PLC	± -
4 PLC	± -
ANGLES	± -
FINISH	-

DWN	KIRAN K	02AUG2016		TE Connectivity
CHK	GUNASEKHAR G	02AUG2016		NAME QL-FULL METAL HOODS SIZE 5
APVD	GUNASEKHAR G	02AUG2016		
CUSTOMER DRAWING				RESTRICTED TO: - SCALE: NTS SHEET: 1 of 1 REV: A2

## X-ON Electronics

Largest Supplier of Electrical and Electronic Components

*Click to view similar products for [D-Sub Backshells](#) category:*

*Click to view products by [TE Connectivity](#) manufacturer:*

Other Similar products are found below :

[M85049/6-38N](#) [M85049/86-12N03](#) [M85049/90-13P03](#) [70.350.0636.4](#) [70.350.2435.1](#) [72.350.1035.2](#) [72.352.2435.1](#) [73.359.4035.3](#) [829472-1](#)  
[PCS-E20W](#) [970-015-040R011](#) [970-025-040R011](#) [971-009-030R121](#) [971-009-040R011](#) [971-015-040R011](#) [1437013-9](#) [1484402-8](#) [156-3025-](#)  
[EX](#) [16-500800](#) [165X02659X](#) [165X03329A](#) [165X03399A](#) [165X10259X](#) [165X11759X](#) [165X11889X](#) [165X13019X](#) [165X13029X](#)  
[165X13169X](#) [165X13199X](#) [165X13239X](#) [165X13389X](#) [165X13489X](#) [165X14219X](#) [165X14429X](#) [165X14449X](#) [165X17409X](#)  
[165X17439X](#) [165X17569X](#) [165X17599X](#) [165X17609X](#) [165X17889X](#) [165X17979X](#) [L171373](#) [971-025-030R121](#) [300X10989X](#)  
[165X02609X](#) [165X02639X](#) [165X02689X](#) [165X04219A](#) [165X10469X](#)