

THIS DRAWING IS UNPUBLISHED. RELEASED FOR PUBLICATION

© COPYRIGHT - By - ALL RIGHTS RESERVED.

PROJECT	PRJ-16-000909157
PART NO.	X-2308340-X
DESCRIPTION	FULL METAL HOODS SIZE 1
CUSTOMER	GENERAL MARKET

REVISIONS					
P	LTR	DESCRIPTION	DATE	DWN	APVD
	A1	REVISED PER ECR-16-013123	19SEP2016	KK	GG

D

C

B

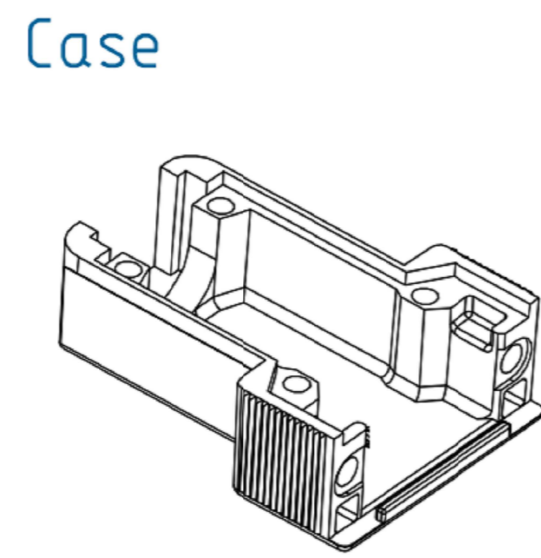
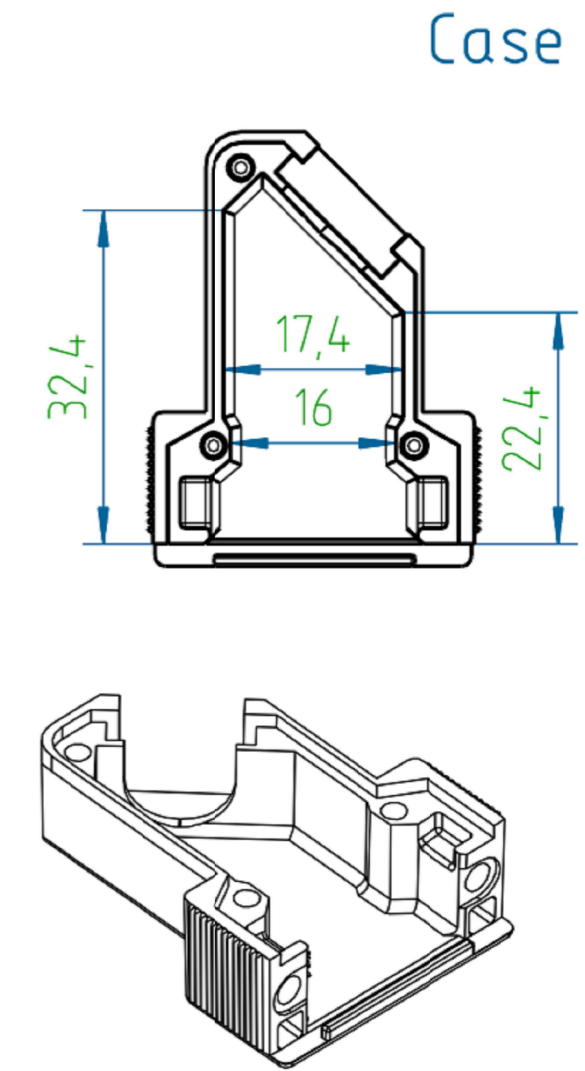
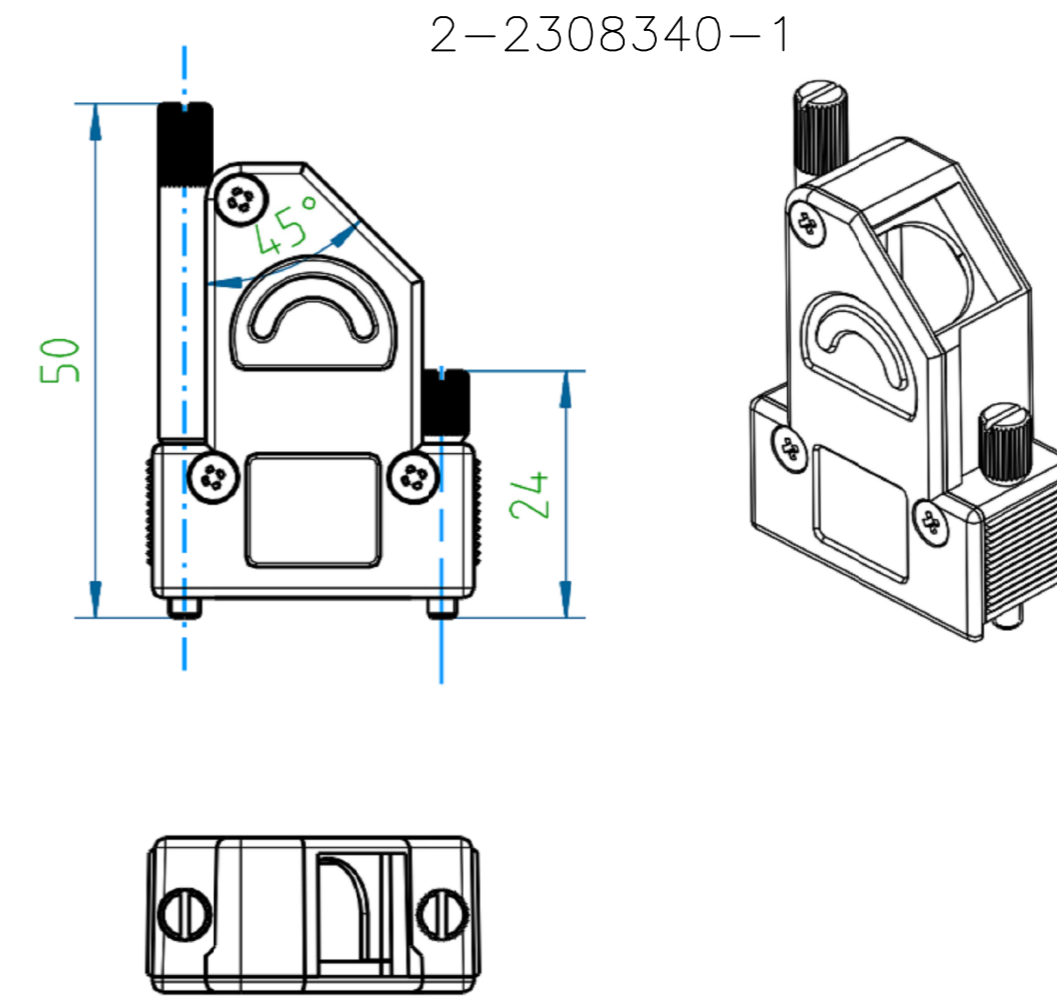
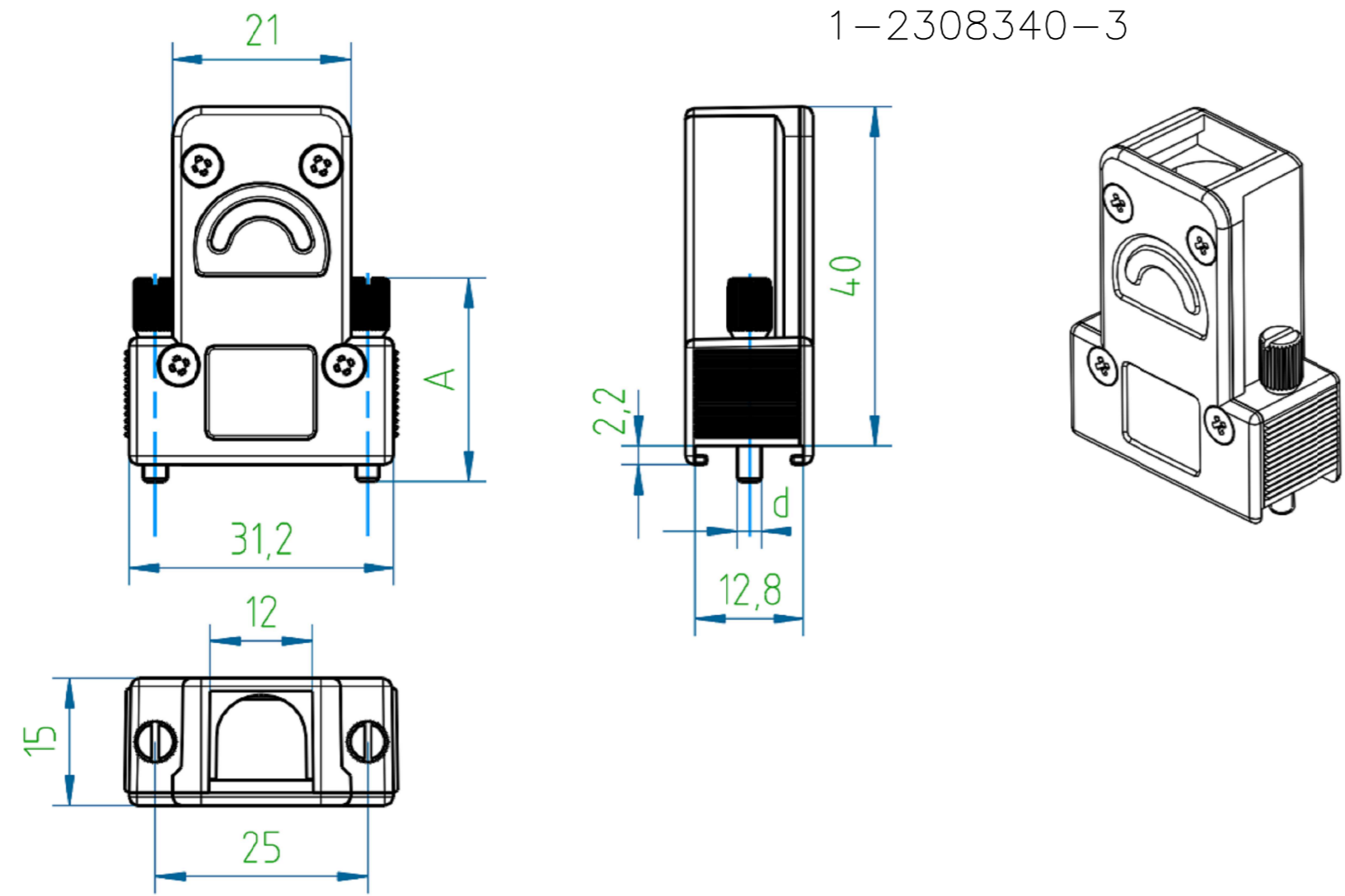
A

D

C

B

A



NOTES:

- FINISH:
1-2308340-1 TO 2-2308340-2 - CASE RAW.
2-2308340-3 TO 3-2308340-4 - CASE NICKEL-PLATED.
- LOCKING SCREWS: NICKEL-PLATED
OTHER SCREWS: ZINC-PLATED
- TEMPERATURE RANGE: -40°C TO +90°C
- CABLE DIAMETER WITH EXTERNAL DIAMETER CABLE CLAMP: 4-14 mm.
- STRAND DIAMETER OF CRIMP FLANGE: 2.7-8.7 mm.

THIS DRAWING IS A CONTROLLED DOCUMENT.		DWN KIRAN K 02AUG2016	TE Connectivity	
DIMENSIONS: mm		CHK GUNASEKHAR G 02AUG2016		
TOLERANCES UNLESS OTHERWISE SPECIFIED: DIN ISO 2768-m DIN 16901 130B		APVD GUNASEKHAR G 02AUG2016	PRODUCT SPEC	RESTRICTED TO
MATERIAL		FINISH	APPLICATION SPEC	SCALE
			WEIGHT	SHEET
			CUSTOMER DRAWING	1 of 2
			SIZE	REV
			A2 00779 G=2308340	A1
			SCALE	NTS

THIS DRAWING IS UNPUBLISHED. RELEASED FOR PUBLICATION
 © COPYRIGHT - By - ALL RIGHTS RESERVED.

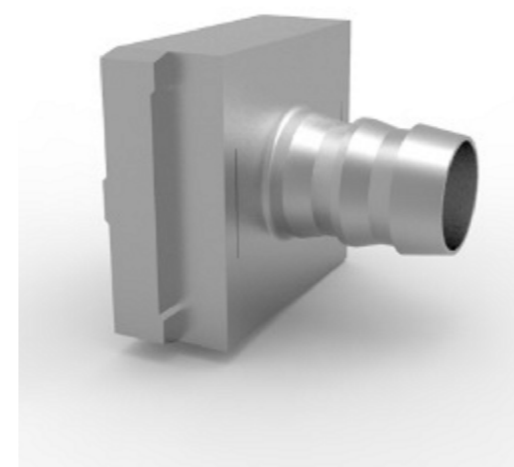
REVISIONS					
P	LTR	DESCRIPTION	DATE	DWN	APVD
-	-	SEE SHEET 1	-	-	-

PART NO.	DESCRIPTION	PART NO.	DESCRIPTION	SUB-PART NO.	DESCRIPTION	S OVER	WEIGHT, g
-	-	2-2308340-2	FULL METAL HOODS SIZE1-12	1-2308334-6	1-2308334-4	LOCKING SCREW (M3 LONG KNURLED)	M3 43
-	-	2-2308340-1	FULL METAL HOODS SIZE1-11	1-2308334-5	1-2308334-3	LOCKING SCREW (4-40 UNC LONG KNURLED)	4-40 UNC 43
1-2308340-6	FULL METAL HOODS SIZE1-6	-	-	1-2308334-6	LOCKING SCREW (M3 LONG KNURLED)	50.0	M3 47
1-2308340-5	FULL METAL HOODS SIZE1-5	-	-	1-2308334-5	LOCKING SCREW (4-40 UNC LONG KNURLED)	50.0	4-40 UNC 47
1-2308340-4	FULL METAL HOODS SIZE1-4	2-2308340-0	FULL METAL HOODS SIZE1-10	1-2308334-4	LOCKING SCREW (M3 SHORT KNURLED)	24.0	M3 39
1-2308340-3	FULL METAL HOODS SIZE1-3	1-2308340-9	FULL METAL HOODS SIZE1-9	1-2308334-3	LOCKING SCREW (4-40 UNC SHORT KNURLED)	24.0	4-40 UNC 39
1-2308340-2	FULL METAL HOODS SIZE1-2	1-2308340-8	FULL METAL HOODS SIZE1-8	1-2308334-2	LOCKING SCREW (M3 W/SPRING WASHER)	20.7	M3 38
1-2308340-1	FULL METAL HOODS SIZE1-1	1-2308340-7	FULL METAL HOODS SIZE1-7	1-2308334-1	LOCKING SCREW (4-40 UNC W/SPRING WASHER)	20.7	4-40 UNC 38
VERSION 180*		VERSION 135*		LOCKING SCREWS		A	d WEIGHT, g
PART NO. (CASE RAW)							

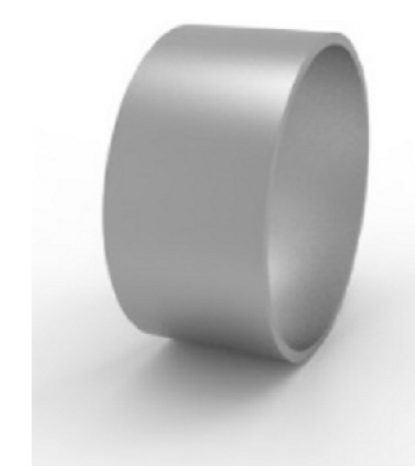
PART NO.	DESCRIPTION	PART NO.	DESCRIPTION	SUB-PART NO.	DESCRIPTION	S OVER	WEIGHT, g
-	-	3-2308340-4	FULL METAL HOODS SIZE1-24	1-2308334-6	1-2308334-4	LOCKING SCREW (M3 LONG KNURLED)	M3 43
-	-	3-2308340-3	FULL METAL HOODS SIZE1-23	1-2308334-5	1-2308334-3	LOCKING SCREW (4-40 UNC LONG KNURLED)	4-40 UNC 43
2-2308340-8	FULL METAL HOODS SIZE1-18	-	-	1-2308334-6	LOCKING SCREW (M3 LONG KNURLED)	50.0	M3 47
2-2308340-7	FULL METAL HOODS SIZE1-17	-	-	1-2308334-5	LOCKING SCREW (4-40 UNC LONG KNURLED)	50.0	4-40 UNC 47
2-2308340-6	FULL METAL HOODS SIZE1-16	3-2308340-2	FULL METAL HOODS SIZE1-22	1-2308334-4	LOCKING SCREW (M3 SHORT KNURLED)	24.0	M3 39
2-2308340-5	FULL METAL HOODS SIZE1-15	3-2308340-1	FULL METAL HOODS SIZE1-21	1-2308334-3	LOCKING SCREW (4-40 UNC SHORT KNURLED)	24.0	4-40 UNC 39
2-2308340-4	FULL METAL HOODS SIZE1-14	3-2308340-0	FULL METAL HOODS SIZE1-20	1-2308334-2	LOCKING SCREW (M3 W/SPRING WASHER)	20.7	M3 38
2-2308340-3	FULL METAL HOODS SIZE1-13	2-2308340-9	FULL METAL HOODS SIZE1-19	1-2308334-1	LOCKING SCREW (4-40 UNC W/SPRING WASHER)	20.7	4-40 UNC 38
VERSION 180*		VERSION 135*		LOCKING SCREWS		A	d WEIGHT, g
PART NO. (CASE Ni-PLATED)							

NOTE:

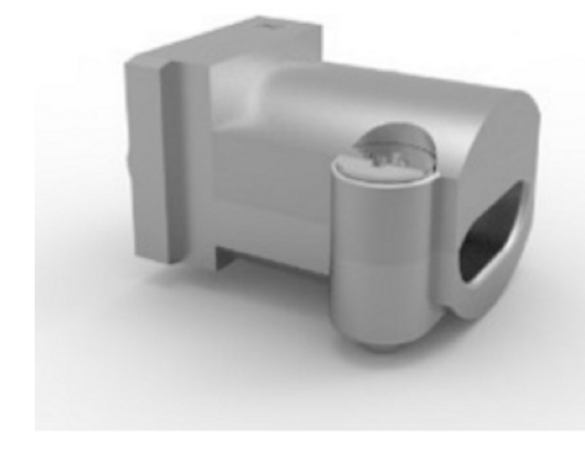
- * CRIMP FLANGE PN *-2308349-* TO BE ORDERED SEPARATELY.
- * CRIMP BARREL TO BE USED IN COMBINATION WITH THE FLANGE PN *-2308350-* TO BE ORDERED SEPARATELY.
- * CABLE CLAMP SCREW VERSION PN *-2308272-* TO BE ORDERED SEPARATELY.



CRIMP FLANGE



CRIMP BARREL



CABLE CLAMP

THIS DRAWING IS A CONTROLLED DOCUMENT.		DWN KIRAN K 02AUG2016		
DIMENSIONS: mm		CHK GUNASEKHAR G 02AUG2016		
TOLERANCES UNLESS OTHERWISE SPECIFIED: DIN ISO 2768-m DIN 16901 130B		APVD GUNASEKHAR G 02AUG2016	NAME FULL METAL HOODS SIZE 1	
		PRODUCT SPEC	SIZE A2	
MATERIAL		APPLICATION SPEC	CAGE CODE 00779	DRAWING NO G=2308340
FINISH		WEIGHT	RESTRICTED TO	SCALE NTS
		CUSTOMER DRAWING	SHEET 2 of 2	REV A1

X-ON Electronics

Largest Supplier of Electrical and Electronic Components

Click to view similar products for [D-Sub Backshells](#) category:

Click to view products by [TE Connectivity](#) manufacturer:

Other Similar products are found below :

[600X54009X](#) [M85049/6-38N](#) [M85049/86-12N03](#) [M85049/90-13P03](#) [70.350.0636.4](#) [70.350.2435.1](#) [72.350.1035.2](#) [72.352.2435.1](#)
[73.359.4035.3](#) [829472-1](#) [PCS-E20W](#) [970-015-040R011](#) [971-009-030R121](#) [971-009-040R011](#) [971-015-040R011](#) [DPH-B-003](#) [1437013-9](#)
[1484402-8](#) [156-3025-EX](#) [16-500800](#) [165X02659X](#) [165X03329A](#) [165X03399A](#) [165X10259X](#) [165X11759X](#) [165X11889X](#) [165X11899X](#)
[165X13019X](#) [165X13029X](#) [165X13169X](#) [165X13199X](#) [165X13239X](#) [165X13389X](#) [165X13489X](#) [165X14219X](#) [165X14429X](#)
[165X14449X](#) [165X17409X](#) [165X17439X](#) [165X17569X](#) [165X17599X](#) [165X17609X](#) [165X17889X](#) [165X17979X](#) [L171373](#) [971-025-](#)
[030R121](#) [300X10989X](#) [165X02609X](#) [165X02639X](#) [165X02689X](#)