

4

3

2

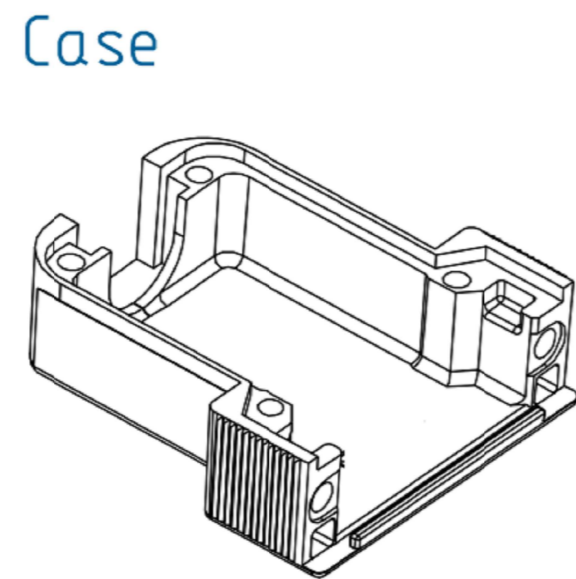
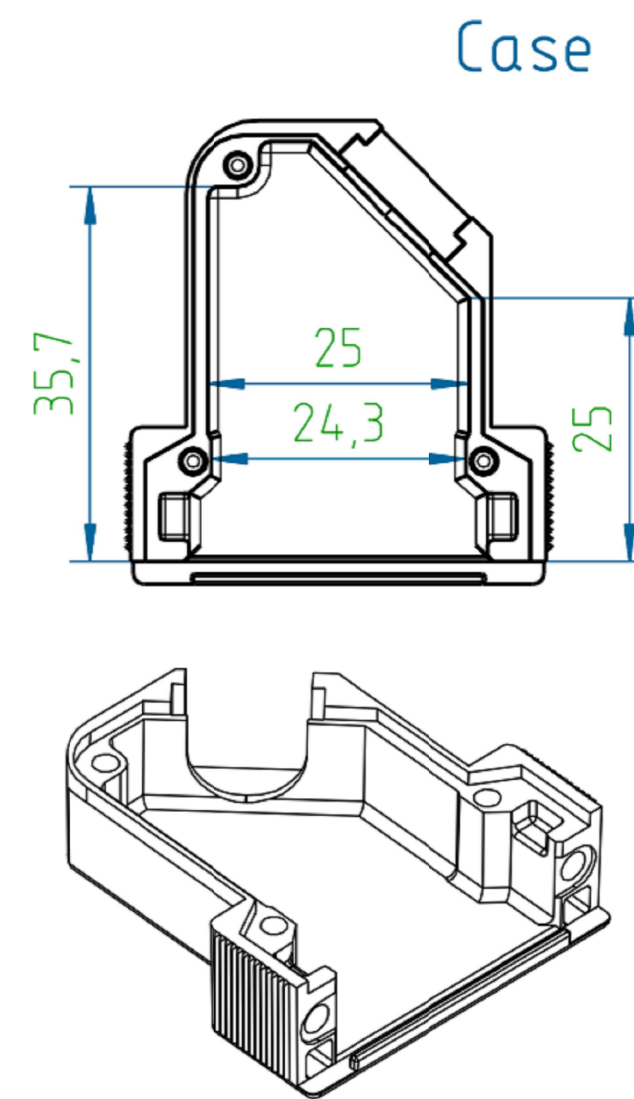
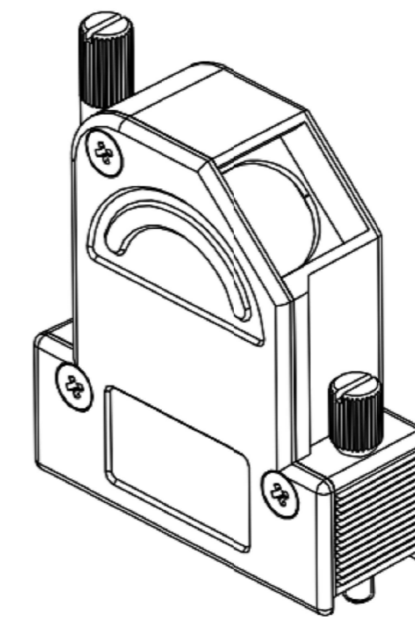
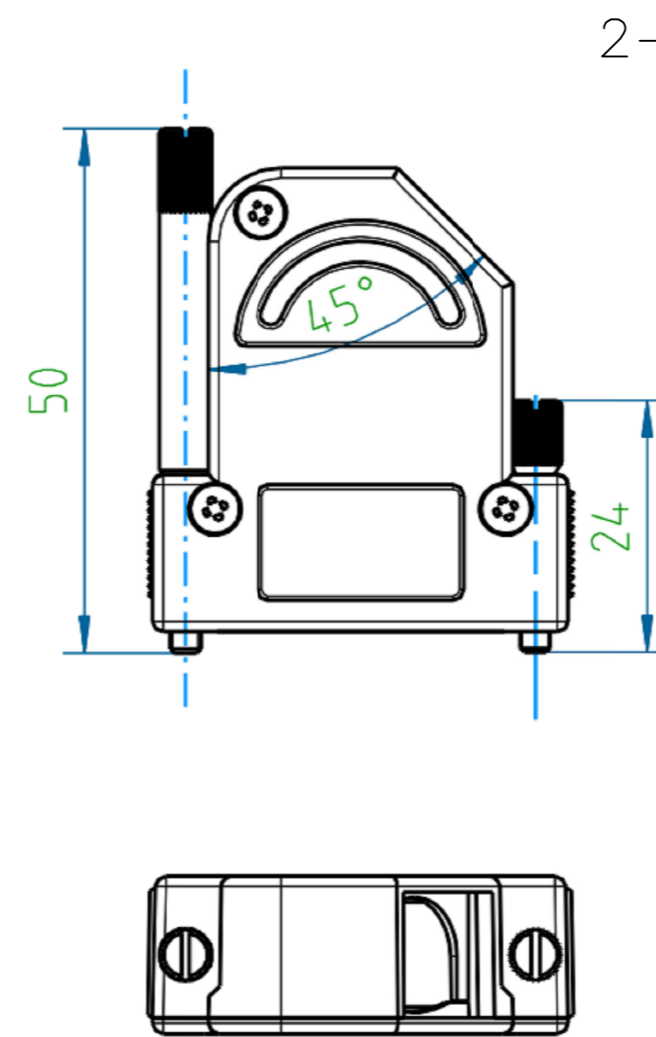
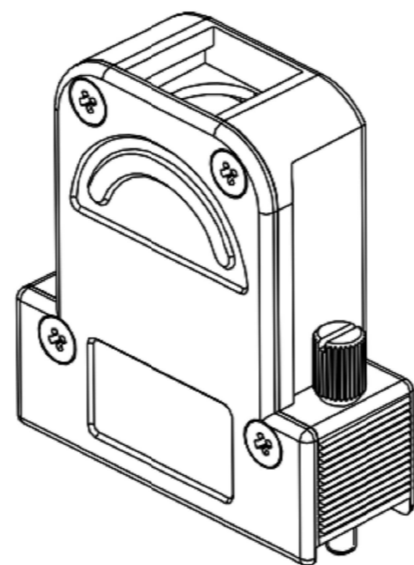
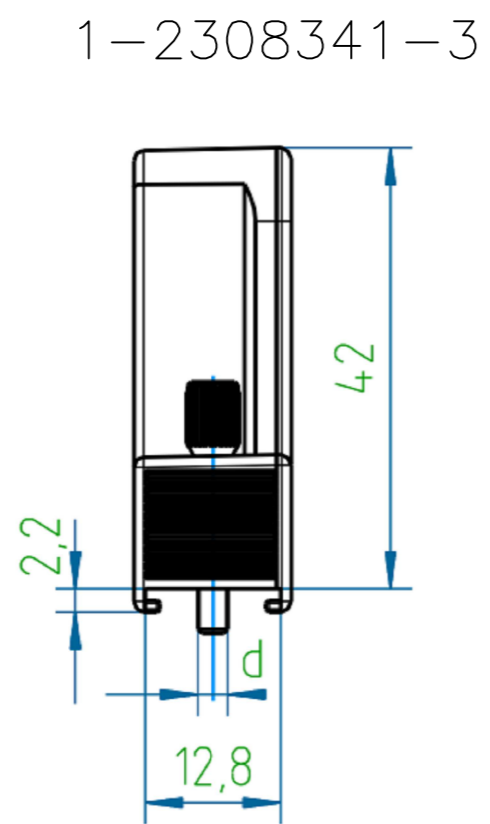
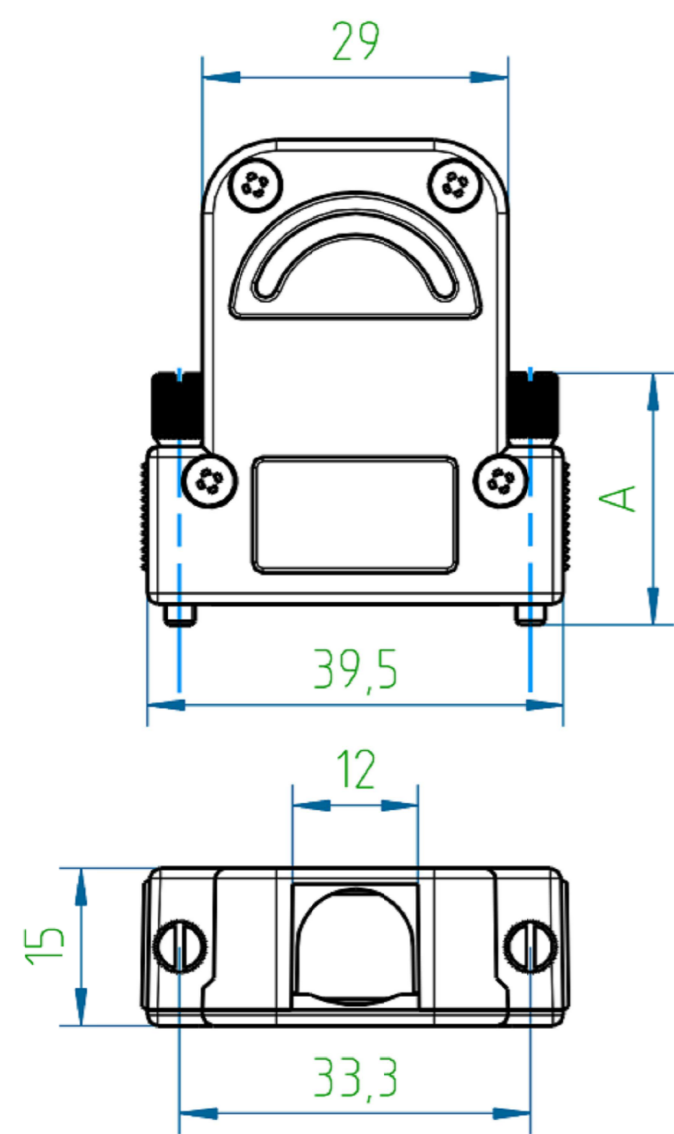
1

THIS DRAWING IS UNPUBLISHED. RELEASED FOR PUBLICATION

© COPYRIGHT - By - ALL RIGHTS RESERVED.

PROJECT	PRJ-16-000909157
PART NO.	X-2308341-X
DESCRIPTION	FULL METAL HOODS SIZE 2
CUSTOMER	GENERAL MARKET

REVISIONS					
P	LTR	DESCRIPTION	DATE	DWN	APVD
	A1	REVISED PER ECR-16-013123	19SEP2016	KK	GG



NOTES:

- FINISH:
1-2308341-1 TO 2-2308341-2- CASE RAW
2-2308341-3 TO 3-2308341-4 - CASE NICKEL-PLATED
- LOCKING SCREWS: NICKEL-PLATED
OTHER SCREWS: ZINC-PLATED
- TEMPERATURE RANGE: -40°C TO +90°C
- CABLE DIAMETER WITH EXTERNAL DIAMETER CABLE CLAMP: 4-14 mm.
- STRAND DIAMETER OF CRIMP FLANGE: 2.7-8.7 mm.

THIS DRAWING IS A CONTROLLED DOCUMENT.		DWN KIRAN K 02AUG2016	TE Connectivity	
DIMENSIONS: mm		CHK GUNASEKHAR G 02AUG2016		
TOLERANCES UNLESS OTHERWISE SPECIFIED: DIN ISO 2768-m DIN 16901 130B		APVD GUNASEKHAR G 02AUG2016	PRODUCT SPEC	RESTRICTED TO
 MATERIAL -		APPLICATION SPEC	SCALE NTS	REV A1
 FINISH -		WEIGHT	SIZE A2	CAGE CODE 00779
		CUSTOMER DRAWING	DRAWING NO G=2308341	SHEET 1 of 2

THIS DRAWING IS UNPUBLISHED. RELEASED FOR PUBLICATION
 © COPYRIGHT - By - ALL RIGHTS RESERVED.

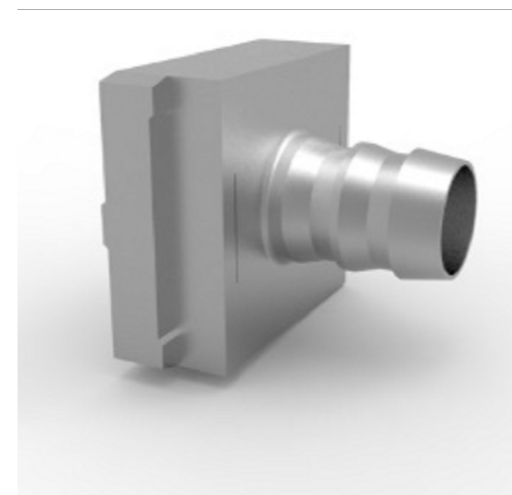
REVISIONS					
P	LTR	DESCRIPTION	DATE	DWN	APVD
-	-	SEE SHEET 1	-	-	-

PART NO.	DESCRIPTION	PART NO.	DESCRIPTION	SUB-PART NO.	DESCRIPTION					
-	-	2-2308341-2	FULL METAL HOODS SIZE2-12	1-2308334-6	1-2308334-4	LOCKING SCREW (M3 LONG KNURLED)	LOCKING SCREW (M3 SHORT KNURLED)	S OVER	M3	51
-	-	2-2308341-1	FULL METAL HOODS SIZE2-11	1-2308334-5	1-2308334-3	LOCKING SCREW (4-40 UNC LONG KNURLED)	LOCKING SCREW (4-40 UNC SHORT KNURLED)		4-40 UNC	51
1-2308341-6	FULL METAL HOODS SIZE2-6	-	-	1-2308334-6		LOCKING SCREW (M3 LONG KNURLED)		50.0	M3	55
1-2308341-5	FULL METAL HOODS SIZE2-5	-	-	1-2308334-5		LOCKING SCREW (4-40 UNC LONG KNURLED)		50.0	4-40 UNC	55
1-2308341-4	FULL METAL HOODS SIZE2-4	2-2308341-0	FULL METAL HOODS SIZE2-10	1-2308334-4		LOCKING SCREW (M3 SHORT KNURLED)		24.0	M3	47
1-2308341-3	FULL METAL HOODS SIZE2-3	1-2308341-9	FULL METAL HOODS SIZE2-9	1-2308334-3		LOCKING SCREW (4-40 UNC SHORT KNURLED)		24.0	4-40 UNC	47
1-2308341-2	FULL METAL HOODS SIZE2-2	1-2308341-8	FULL METAL HOODS SIZE2-8	1-2308334-2		LOCKING SCREW (M3 W/SPRING WASHER)		20.7	M3	46
1-2308341-1	FULL METAL HOODS SIZE2-1	1-2308341-7	FULL METAL HOODS SIZE2-7	1-2308334-1		LOCKING SCREW (4-40 UNC W/SPRING WASHER)		20.7	4-40 UNC	46
VERSION 180*		VERSION 135*				LOCKING SCREWS		A	d	WEIGHT, g
PART NO. (CASE RAW)										

PART NO.	DESCRIPTION	PART NO.	DESCRIPTION	SUB-PART NO.	DESCRIPTION					
-	-	3-2308341-4	FULL METAL HOODS SIZE2-24	1-2308334-6	1-2308334-4	LOCKING SCREW (M3 LONG KNURLED)	LOCKING SCREW (M3 SHORT KNURLED)	S OVER	M3	51
-	-	3-2308341-3	FULL METAL HOODS SIZE2-23	1-2308334-5	1-2308334-3	LOCKING SCREW (4-40 UNC LONG KNURLED)	LOCKING SCREW (4-40 UNC SHORT KNURLED)		4-40 UNC	51
2-2308341-8	FULL METAL HOODS SIZE2-18	-	-	1-2308334-6		LOCKING SCREW (M3 LONG KNURLED)		50.0	M3	55
2-2308341-7	FULL METAL HOODS SIZE2-17	-	-	1-2308334-5		LOCKING SCREW (4-40 UNC LONG KNURLED)		50.0	4-40 UNC	55
2-2308341-6	FULL METAL HOODS SIZE2-16	3-2308341-2	FULL METAL HOODS SIZE2-22	1-2308334-4		LOCKING SCREW (M3 SHORT KNURLED)		24.0	M3	47
2-2308341-5	FULL METAL HOODS SIZE2-15	3-2308341-1	FULL METAL HOODS SIZE2-21	1-2308334-3		LOCKING SCREW (4-40 UNC SHORT KNURLED)		24.0	4-40 UNC	47
2-2308341-4	FULL METAL HOODS SIZE2-14	3-2308341-0	FULL METAL HOODS SIZE2-20	1-2308334-2		LOCKING SCREW (M3 W/SPRING WASHER)		20.7	M3	46
2-2308341-3	FULL METAL HOODS SIZE2-13	2-2308341-9	FULL METAL HOODS SIZE2-19	1-2308334-1		LOCKING SCREW (4-40 UNC W/SPRING WASHER)		20.7	4-40 UNC	46
VERSION 180*		VERSION 135*				LOCKING SCREWS		A	d	WEIGHT, g
PART NO. (CASE Ni-PLATED)										

NOTE:

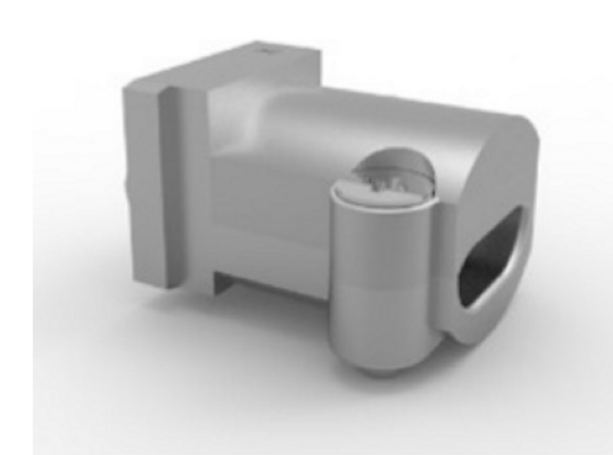
- * CRIMP FLANGE PN *-2308349-* TO BE ORDERED SEPARATELY.
- * CRIMP BARREL TO BE USED IN COMBINATION WITH THE FLANGE PN *-2308350-* TO BE ORDERED SEPARATELY.
- * CABLE CLAMP SCREW VERSION PN *-2308272-* TO BE ORDERED SEPARATELY.



CRIMP FLANGE



CRIMP BARREL



CABLE CLAMP

THIS DRAWING IS A CONTROLLED DOCUMENT.		DWN KIRAN K 02AUG2016		
DIMENSIONS: mm		CHK GUNASEKHAR G 02AUG2016		
		TOLERANCES UNLESS OTHERWISE SPECIFIED: DIN ISO 2768-m DIN 16901 130B		NAME GUNASEKHAR G 02AUG2016
MATERIAL		PRODUCT SPEC		SIZE A2
FINISH		APPLICATION SPEC		CAGE CODE 00779
		WEIGHT		DRAWING NO G=2308341
		CUSTOMER DRAWING		RESTRICTED TO -
		SCALE NTS		SHEET 2 of 2
				REV A1

X-ON Electronics

Largest Supplier of Electrical and Electronic Components

Click to view similar products for [D-Sub Backshells](#) category:

Click to view products by [TE Connectivity](#) manufacturer:

Other Similar products are found below :

[M85049/6-38N](#) [M85049/86-12N03](#) [M85049/90-13P03](#) [70.350.0636.4](#) [70.350.2435.1](#) [72.350.1035.2](#) [72.352.2435.1](#) [73.359.4035.3](#) [829472-1](#)
[PCS-E20W](#) [970-015-040R011](#) [970-025-040R011](#) [971-009-030R121](#) [971-009-040R011](#) [971-015-040R011](#) [1437013-9](#) [1484402-8](#) [156-3025-](#)
[EX](#) [16-500800](#) [165X02659X](#) [165X03329A](#) [165X03399A](#) [165X10259X](#) [165X11759X](#) [165X11889X](#) [165X13019X](#) [165X13029X](#)
[165X13169X](#) [165X13199X](#) [165X13239X](#) [165X13389X](#) [165X13489X](#) [165X14219X](#) [165X14449X](#) [165X17409X](#) [165X17439X](#)
[165X17569X](#) [165X17599X](#) [165X17609X](#) [165X17889X](#) [165X17979X](#) [L171373](#) [971-025-030R121](#) [300X10989X](#) [165X02609X](#)
[165X02689X](#) [165X04219A](#) [165X10469X](#) [165X11279X](#) [165X11789X](#)