

4

3

2

1

THIS DRAWING IS UNPUBLISHED.		RELEASED FOR PUBLICATION	
© COPYRIGHT - By -		ALL RIGHTS RESERVED.	
PROJECT	PRJ-16-000909157		
PART NO.	X-2308342-X		
DESCRIPTION	FULL METAL HOODS SIZE 3		
CUSTOMER	GENERAL MARKET		

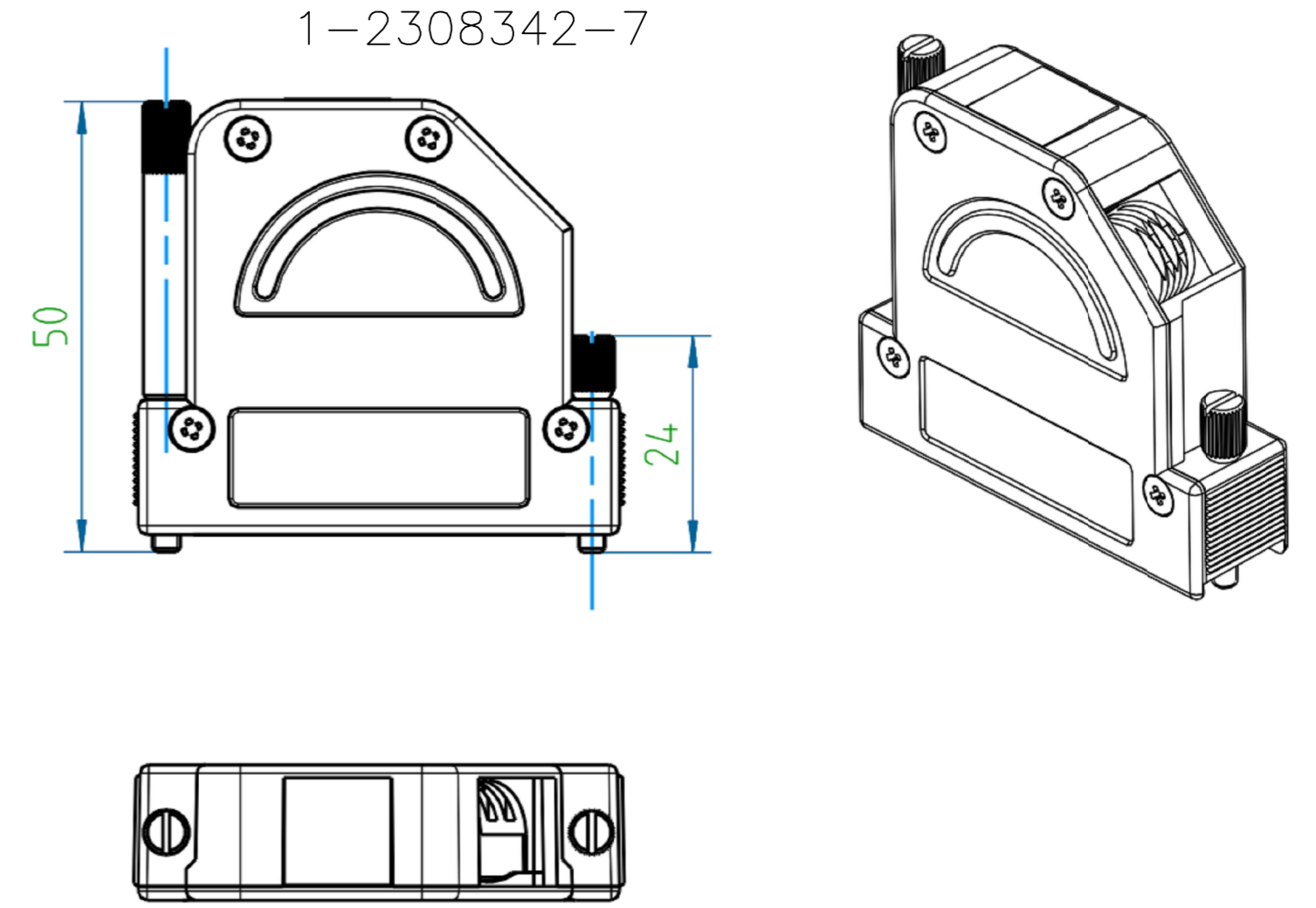
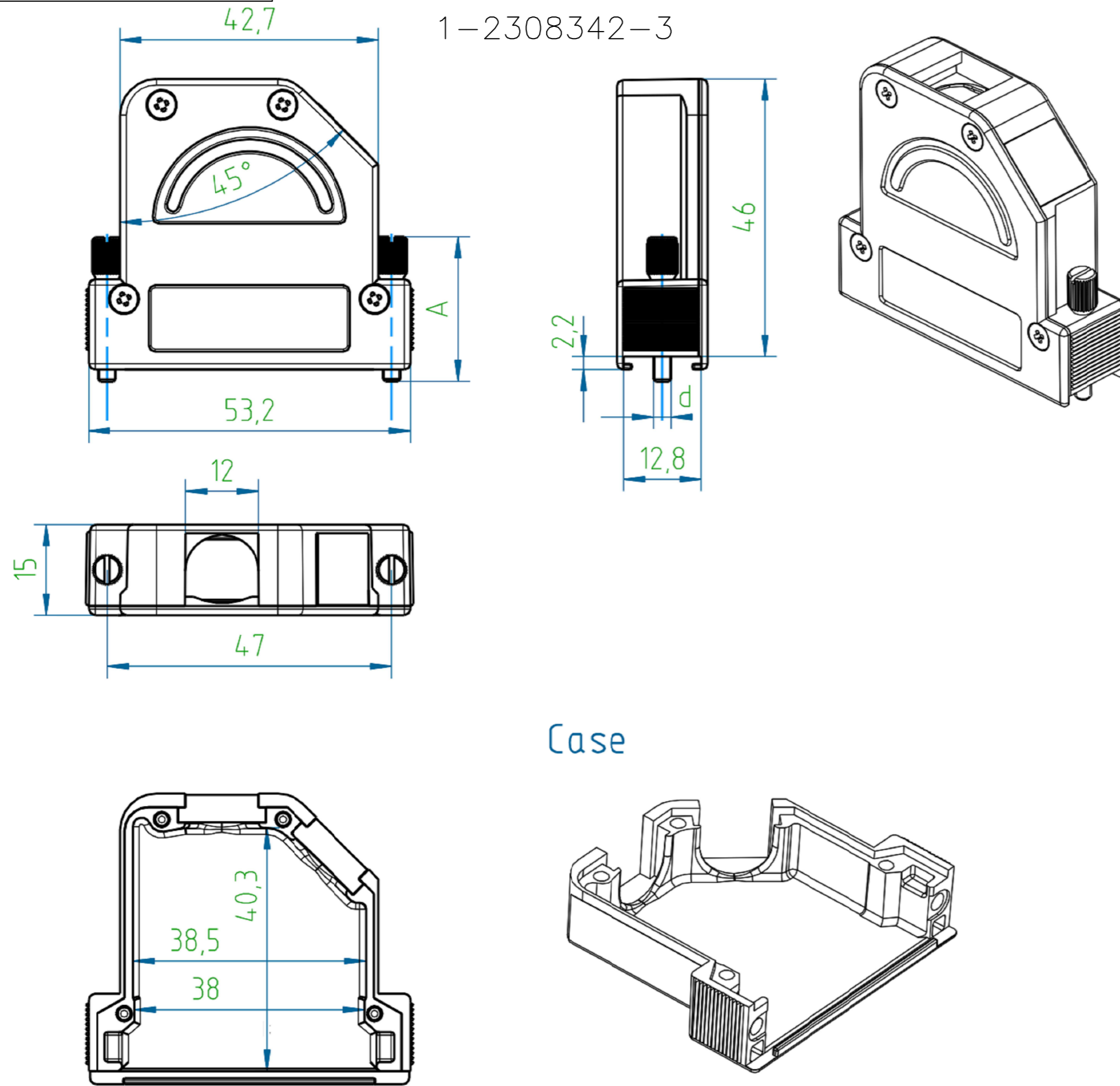
REVISIONS					
P	LTR	DESCRIPTION	DATE	DWN	APVD
	A1	REVISED PER ECR-16-013123	19SEP2016	KK	GG

D

C

B

A



D

C

B

A

2308342

NOTES:

- FINISH:
1-2308342-1 TO 1-2308342-8 - CASE RAW
1-2308342-9 TO 2-2308342-6 - CASE NICKEL-PLATED
- LOCKING SCREWS: NICKEL-PLATED
OTHER SCREWS: ZINC-PLATED
- TEMPERATURE RANGE: -40°C TO +90°C
- CABLE DIAMETER WITH EXTERNAL DIAMETER CABLE CLAMP: 4-14 mm.
- STRAND DIAMETER OF CRIMP FLANGE: 2.7-8.7 mm.

THIS DRAWING IS A CONTROLLED DOCUMENT.		DWN KIRAN K 02AUG2016	TE Connectivity	
DIMENSIONS: mm		CHK GUNASEKHAR G 02AUG2016		
TOLERANCES UNLESS OTHERWISE SPECIFIED: DIN ISO 2768-m DIN 16901 130B		APVD GUNASEKHAR G 02AUG2016	PRODUCT SPEC	RESTRICTED TO
0 PLC ± - 1 PLC ± - 2 PLC ± - 3 PLC ± - 4 PLC ± - ANGLES ± -		APPLICATION SPEC	SIZE A2	CAGE CODE 00779
MATERIAL -		WEIGHT	DRAWING NO G=2308342	REV A1
		CUSTOMER DRAWING	SCALE NTS	SHEET 1 of 2

THIS DRAWING IS UNPUBLISHED.

RELEASED FOR PUBLICATION

-. - .

© COPYRIGHT - By -

ALL RIGHTS RESERVED.

REVISIONS

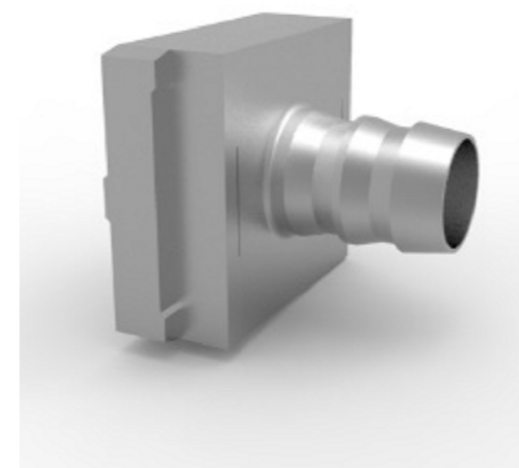
P	LTR	DESCRIPTION	DATE	DWN	APVD
-	-	SEE SHEET 1	-	-	-

PART NO.	DESCRIPTION	SUB-PART NO.	DESCRIPTION	A	d	WEIGHT, g
1-2308342-8	FULL METAL HOODS SIZE3-8	1-2308334-6	1-2308334-4 LOCKING SCREW (M3 LONG KNURLED)	S OVER	M3	72
1-2308342-7	FULL METAL HOODS SIZE3-7	1-2308334-5	1-2308334-3 LOCKING SCREW (4-40 UNC LONG KNURLED)		4-40 UNC	72
1-2308342-6	FULL METAL HOODS SIZE3-6	1-2308334-6	LOCKING SCREW (M3 LONG KNURLED)	50.0	M3	75
1-2308342-5	FULL METAL HOODS SIZE3-5	1-2308334-5	LOCKING SCREW (4-40 UNC LONG KNURLED)	50.0	4-40 UNC	75
1-2308342-4	FULL METAL HOODS SIZE3-4	1-2308334-4	LOCKING SCREW (M3 SHORT KNURLED)	24.0	M3	67
1-2308342-3	FULL METAL HOODS SIZE3-3	1-2308334-3	LOCKING SCREW (4-40 UNC SHORT KNURLED)	24.0	4-40 UNC	67
1-2308342-2	FULL METAL HOODS SIZE3-2	1-2308334-2	LOCKING SCREW (M3 W/SPRING WASHER)	20.7	M3	66
1-2308342-1	FULL METAL HOODS SIZE3-1	1-2308334-1	LOCKING SCREW (4-40 UNC W/SPRING WASHER)	20.7	4-40 UNC	66
PART NO. (CASE RAW)		LOCKING SCREWS				

PART NO.	DESCRIPTION	SUB-PART NO.	DESCRIPTION	A	d	WEIGHT, g
2-2308342-6	FULL METAL HOODS SIZE3-16	1-2308334-6	1-2308334-4 LOCKING SCREW (M3 LONG KNURLED)	S OVER	M3	72
2-2308342-5	FULL METAL HOODS SIZE3-15	1-2308334-5	1-2308334-3 LOCKING SCREW (4-40 UNC LONG KNURLED)		4-40 UNC	72
2-2308342-4	FULL METAL HOODS SIZE3-14	1-2308334-6	LOCKING SCREW (M3 LONG KNURLED)	50.0	M3	75
2-2308342-3	FULL METAL HOODS SIZE3-13	1-2308334-5	LOCKING SCREW (4-40 UNC LONG KNURLED)	50.0	4-40 UNC	75
2-2308342-2	FULL METAL HOODS SIZE3-12	1-2308334-4	LOCKING SCREW (M3 SHORT KNURLED)	24.0	M3	67
2-2308342-1	FULL METAL HOODS SIZE3-11	1-2308334-3	LOCKING SCREW (4-40 UNC SHORT KNURLED)	24.0	4-40 UNC	67
2-2308342-0	FULL METAL HOODS SIZE3-10	1-2308334-2	LOCKING SCREW (M3 W/SPRING WASHER)	20.7	M3	66
1-2308342-9	FULL METAL HOODS SIZE3-9	1-2308334-1	LOCKING SCREW (4-40 UNC W/SPRING WASHER)	20.7	4-40 UNC	66
PART NO. (CASE Ni-PLATED)		LOCKING SCREWS				

NOTE:

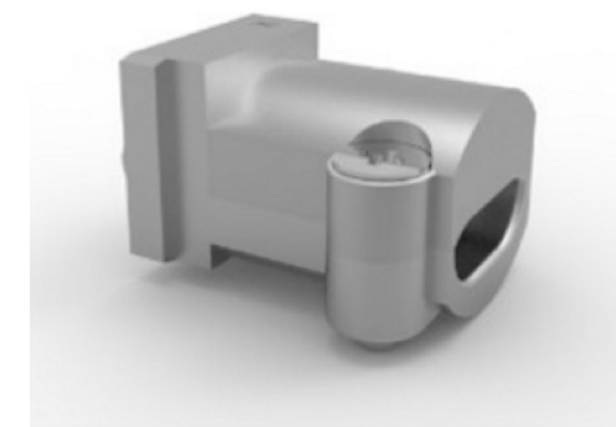
- * CRIMP FLANGE PN *-2308349-* TO BE ORDERED SEPARATELY.
- * CRIMP BARREL TO BE USED IN COMBINATION WITH THE FLANGE PN *-2308350-* TO BE ORDERED SEPARATELY.
- * CABLE CLAMP SCREW VERSION PN *-2308272-* TO BE ORDERED SEPARATELY.



CRIMP FLANGE



CRIMP BARREL



CABLE CLAMP

THIS DRAWING IS A CONTROLLED DOCUMENT.		DWN KIRAN K 02AUG2016		
DIMENSIONS: mm		CHK GUNASEKHAR G 02AUG2016		
		TOLERANCES UNLESS OTHERWISE SPECIFIED: DIN ISO 2768-m DIN 16901 130B		NAME FULL METAL HOODS SIZE 3
MATERIAL		APVD GUNASEKHAR G 02AUG2016	PRODUCT SPEC	SIZE A2
FINISH		APPLICATION SPEC	WEIGHT	CAGE CODE 00779
		WEIGHT	DRAWING NO G=2308342	RESTRICTED TO
		CUSTOMER DRAWING	SCALE NTS	SHEET 2 of 2
			REV A1	

X-ON Electronics

Largest Supplier of Electrical and Electronic Components

Click to view similar products for [D-Sub Backshells](#) category:

Click to view products by [TE Connectivity](#) manufacturer:

Other Similar products are found below :

[600X54009X](#) [M85049/6-38N](#) [M85049/86-12N03](#) [M85049/90-13P03](#) [70.350.0636.4](#) [70.350.2435.1](#) [72.350.1035.2](#) [72.352.2435.1](#)
[73.359.4035.3](#) [829472-1](#) [PCS-E20W](#) [970-015-040R011](#) [971-009-030R121](#) [971-009-040R011](#) [971-015-040R011](#) [DPH-B-003](#) [1437013-9](#)
[1484402-8](#) [156-3025-EX](#) [16-500800](#) [165X02659X](#) [165X03329A](#) [165X03399A](#) [165X10259X](#) [165X11759X](#) [165X11889X](#) [165X11899X](#)
[165X13019X](#) [165X13029X](#) [165X13169X](#) [165X13199X](#) [165X13239X](#) [165X13389X](#) [165X13489X](#) [165X14219X](#) [165X14429X](#)
[165X14449X](#) [165X17409X](#) [165X17439X](#) [165X17569X](#) [165X17599X](#) [165X17609X](#) [165X17889X](#) [165X17979X](#) [L171373](#) [971-025-](#)
[030R121](#) [300X10989X](#) [165X02609X](#) [165X02639X](#) [165X02689X](#)