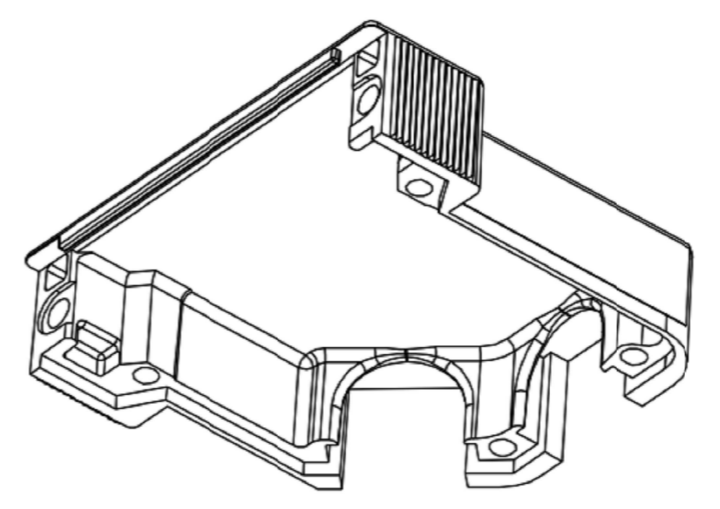
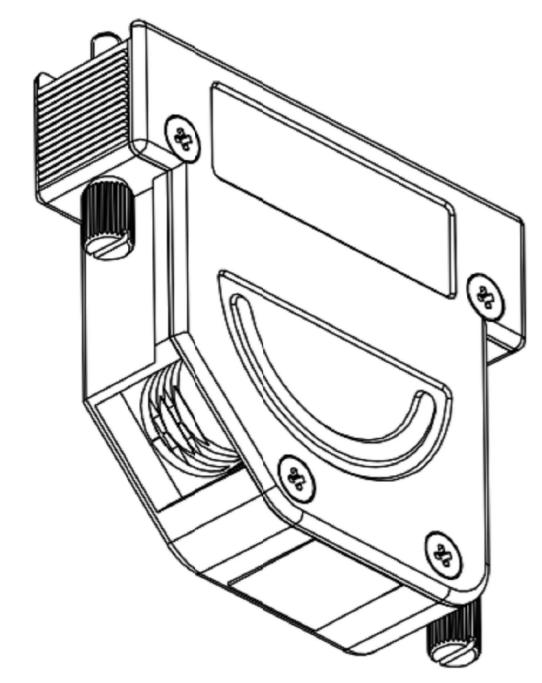
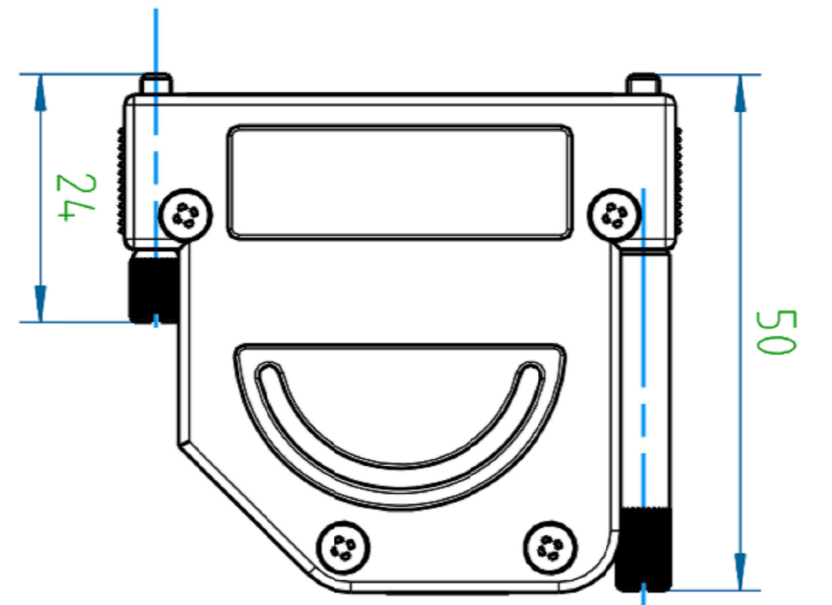
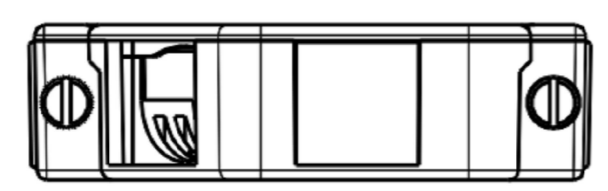
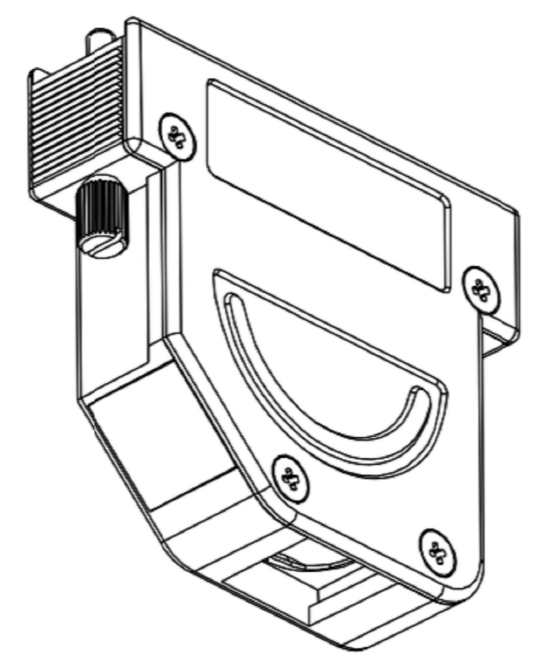
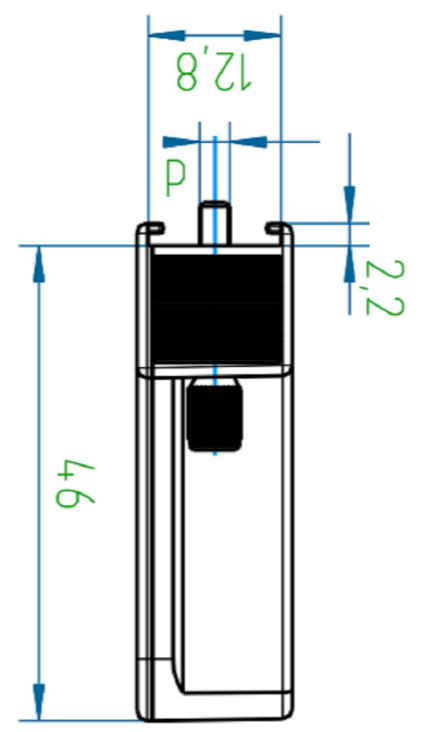
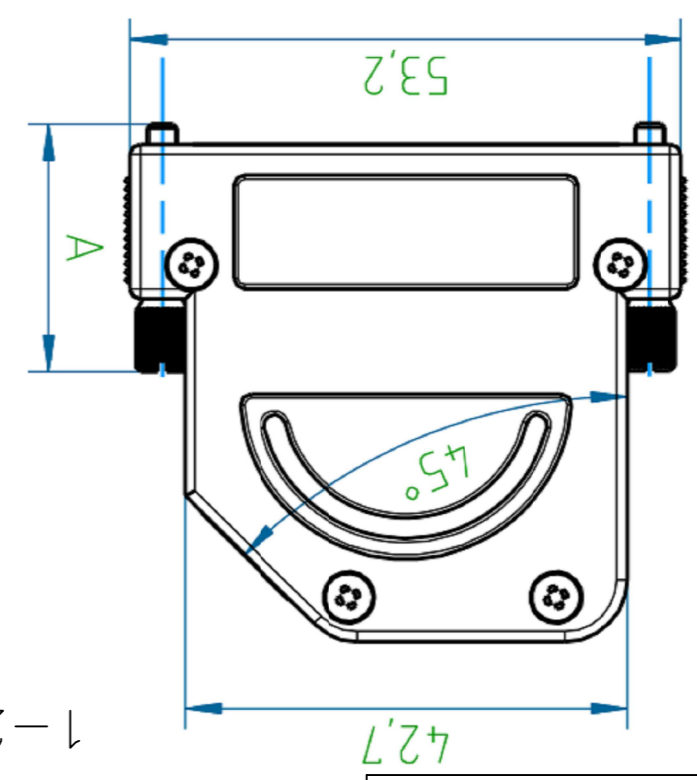
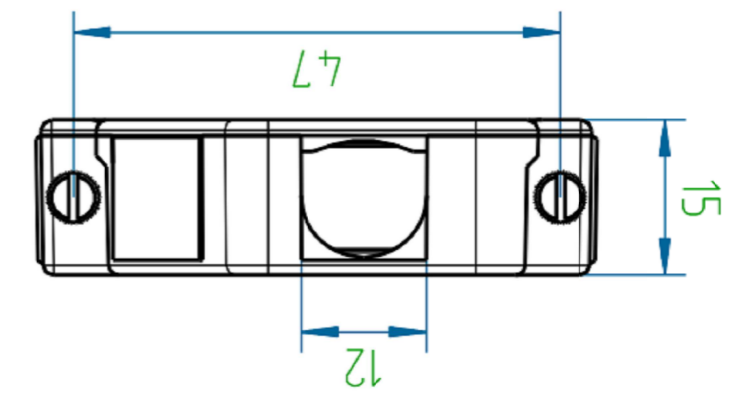
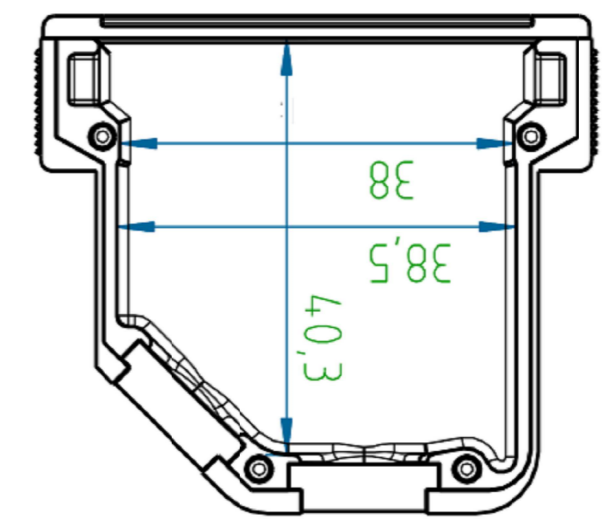


- NOTES:
1. FINISH: 1-2308342-1 TO 1-2308342-8 - CASE RAW  
1-2308342-9 TO 2-2308342-6 - CASE NICKEL-PLATED
  2. LOCKING SCREWS: NICKEL-PLATED
  3. TEMPERATURE RANGE: -40°C TO +90°C
  4. CABLE DIAMETER WITH EXTERNAL DIAMETER CABLE CLAMP: 4-14 mm.
  5. STRAND DIAMETER OF CRIMP FLANGE: 2.7-8.7 mm.

CUSTOMER DRAWING		SCALE	NTS	SHEET	1 of 2	REV	A1
APPLICATOR SPEC		SIZE	A2	CAGE CODE	00779	DRAWING NO	2308342
PRODUCT SPEC		FULL METAL HOODS SIZE 3					
APVD		GUNASEKHAR G					
CHK		KIRAN K					
DWN		02AUG2016					
TOLERANCES UNLESS OTHERWISE SPECIFIED:		DIN 15000					
FINISH		4 PLC ± -					
DIMENSIONS:		mm					
MATERIAL		-					



Case

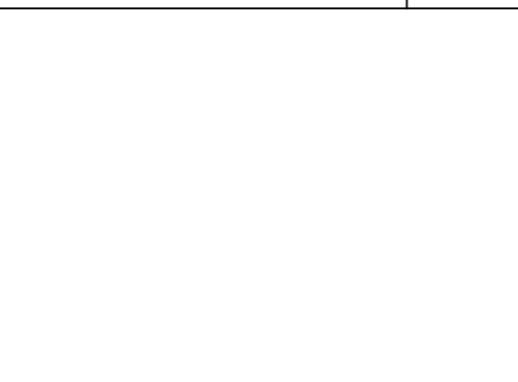


PROJECT	PRJ-16-000909157
PART NO.	X-2308342-X
DESCRIPTION	FULL METAL HOODS SIZE 3
CUSTOMER	GENERAL MARKET

REV	DATE	DESCRIPTION	APVD
A1	19SEP2016	REVISED PER ECR-16-013123	KK
GG			

2308342

CUSTOMER DRAWING		SCALE	NTS	SHEET	2 of 2	REV	A1
APPROVED: GUNASEKHAR G		DATE	02AUG2016	NAME	GUNASEKHAR G		
CHECKED: KIRAN K		DATE	02AUG2016	NAME	KIRAN K		
APPROVED: GUNASEKHAR G		DATE	02AUG2016	NAME	GUNASEKHAR G		
PRODUCT SPEC		FULL METAL HOODS SIZE 3					
APPLICATION SPEC		TE Connectivity					
WEIGHT		-					
FINISH		-					
DIMENSIONS:		mm					
TOLERANCES UNLESS OTHERWISE SPECIFIED:		0 PLC ± 0.1508 1 PLC ± 0.2540 2 PLC ± 0.3810 3 PLC ± 0.5080 4 PLC ± 0.6350					



REV	DESCRIPTION	DATE	BY	CHK
1	RELEASED FOR PUBLICATION			
2	ALL RIGHTS RESERVED.			
3				
4				



NOTE:  
 \* CRIMP FLANGE PN \*-2308349-\* TO BE ORDERED SEPARATELY.  
 \* CRIMP BARREL TO BE USED IN COMBINATION WITH THE FLANGE PN \*-2308350-\* TO BE ORDERED SEPARATELY.  
 \* CABLE CLAMP SCREW VERSION PN \*-2308272-\* TO BE ORDERED SEPARATELY.

PART NO. (CASE NI-PLATED)		DESCRIPTION		SUB-PART NO.		DESCRIPTION		LOCKING SCREWS	
PART NO.	DESCRIPTION	PART NO.	DESCRIPTION	A	d	WEIGHT, g	DESCRIPTION	A	d
2-2308342-6	FULL METAL HOODS SIZE3-16	1-2308334-6	LOCKING SCREW (M3 LONG KNURLED)	72	M3	72	LOCKING SCREW (M3 SHORT KNURLED)	72	M3
2-2308342-5	FULL METAL HOODS SIZE3-15	1-2308334-5	LOCKING SCREW (4-40 UNC LONG KNURLED)	OVER S	4-40 UNC	72	LOCKING SCREW (4-40 UNC SHORT KNURLED)	72	4-40 UNC
2-2308342-4	FULL METAL HOODS SIZE3-14	1-2308334-6	LOCKING SCREW (M3 LONG KNURLED)	75	M3	75	LOCKING SCREW (M3 LONG KNURLED)	75	M3
2-2308342-3	FULL METAL HOODS SIZE3-13	1-2308334-5	LOCKING SCREW (4-40 UNC LONG KNURLED)	75	4-40 UNC	75	LOCKING SCREW (4-40 UNC LONG KNURLED)	75	4-40 UNC
2-2308342-2	FULL METAL HOODS SIZE3-12	1-2308334-4	LOCKING SCREW (M3 SHORT KNURLED)	67	M3	67	LOCKING SCREW (M3 SHORT KNURLED)	67	M3
2-2308342-1	FULL METAL HOODS SIZE3-11	1-2308334-3	LOCKING SCREW (4-40 UNC SHORT KNURLED)	67	4-40 UNC	67	LOCKING SCREW (4-40 UNC SHORT KNURLED)	67	4-40 UNC
2-2308342-0	FULL METAL HOODS SIZE3-10	1-2308334-2	LOCKING SCREW (M3 W/SPRING WASHER)	66	M3	66	LOCKING SCREW (M3 W/SPRING WASHER)	66	M3
1-2308342-9	FULL METAL HOODS SIZE3-9	1-2308334-1	LOCKING SCREW (4-40 UNC W/SPRING WASHER)	66	4-40 UNC	66	LOCKING SCREW (4-40 UNC W/SPRING WASHER)	66	4-40 UNC

PART NO. (CASE RAW)		DESCRIPTION		SUB-PART NO.		DESCRIPTION		LOCKING SCREWS	
PART NO.	DESCRIPTION	PART NO.	DESCRIPTION	A	d	WEIGHT, g	DESCRIPTION	A	d
1-2308342-8	FULL METAL HOODS SIZE3-8	1-2308334-6	LOCKING SCREW (M3 LONG KNURLED)	72	M3	72	LOCKING SCREW (M3 SHORT KNURLED)	72	M3
1-2308342-7	FULL METAL HOODS SIZE3-7	1-2308334-5	LOCKING SCREW (4-40 UNC LONG KNURLED)	OVER S	4-40 UNC	72	LOCKING SCREW (4-40 UNC SHORT KNURLED)	72	4-40 UNC
1-2308342-6	FULL METAL HOODS SIZE3-6	1-2308334-6	LOCKING SCREW (M3 LONG KNURLED)	75	M3	75	LOCKING SCREW (M3 LONG KNURLED)	75	M3
1-2308342-5	FULL METAL HOODS SIZE3-5	1-2308334-5	LOCKING SCREW (4-40 UNC LONG KNURLED)	75	4-40 UNC	75	LOCKING SCREW (4-40 UNC LONG KNURLED)	75	4-40 UNC
1-2308342-4	FULL METAL HOODS SIZE3-4	1-2308334-4	LOCKING SCREW (M3 SHORT KNURLED)	67	M3	67	LOCKING SCREW (M3 SHORT KNURLED)	67	M3
1-2308342-3	FULL METAL HOODS SIZE3-3	1-2308334-3	LOCKING SCREW (4-40 UNC SHORT KNURLED)	67	4-40 UNC	67	LOCKING SCREW (4-40 UNC SHORT KNURLED)	67	4-40 UNC
1-2308342-2	FULL METAL HOODS SIZE3-2	1-2308334-2	LOCKING SCREW (M3 W/SPRING WASHER)	66	M3	66	LOCKING SCREW (M3 W/SPRING WASHER)	66	M3
1-2308342-1	FULL METAL HOODS SIZE3-1	1-2308334-1	LOCKING SCREW (4-40 UNC W/SPRING WASHER)	66	4-40 UNC	66	LOCKING SCREW (4-40 UNC W/SPRING WASHER)	66	4-40 UNC

REV	DESCRIPTION	DATE	BY	CHK
1	SEE SHEET 1			

2308342

C

D

A

A

A

## X-ON Electronics

Largest Supplier of Electrical and Electronic Components

*Click to view similar products for [D-Sub Backshells](#) category:*

*Click to view products by [TE Connectivity](#) manufacturer:*

Other Similar products are found below :

[173114-0084](#) [173112-1658](#) [600X51137X](#) [600X54009X](#) [66241-12A](#) [M85049/48-1-2](#) [M85049/48-3-5F](#) [M85049/6-38N](#) [M85049/86-12N03](#)  
[70.350.0636.4](#) [70.350.2435.1](#) [72.350.1035.2](#) [72.352.2435.1](#) [73.359.4035.3](#) [799-015TMH07M](#) [799-015TMH08N](#) [FKH1RE](#) [829472-1](#) [F-](#)  
[PHG-1E](#) [F-PHG-3E](#) [F-PHG-4E](#) [F-PHR-4E](#) [PCS-E20W](#) [8655MHRA0901KLF](#) [8655MHRA2501KLF](#) [958-009-010R011](#) [970-015-040R011](#)  
[970-025-030R121](#) [970-025-040R011](#) [971-009-030R121](#) [971-009-040R011](#) [971-015-040R011](#) [971-025-040R011](#) [GS85049/38-25M](#) [975T009-](#)  
[020R121](#) [975T015-020R121](#) [1-21986-2](#) [1-21986-5](#) [DB-20962](#) [DE-C8-J9-F4-1R](#) [DE-C8-J9-F5-1R](#) [DPH-B-003](#) [1437013-9](#) [1484402-8](#)  
[MS3057-10A](#) [156-3025-EX](#) [MS3417-16C](#) [16-500800](#) [165X02659X](#) [165X03329A](#)