

4

3

2

1

THIS DRAWING IS UNPUBLISHED.

RELEASED FOR PUBLICATION

© COPYRIGHT - By -

ALL RIGHTS RESERVED.

PROJECT	PRJ-16-000909157
PART NO.	X-2308346-X
DESCRIPTION	FULL METAL HOODS SIZE 5
CUSTOMER	GENERAL MARKET

REVISIONS

P	LTR	DESCRIPTION	DATE	DWN	APVD
	A1	REVISED PER ECR-16-013123	19SEP2016	KK	GG

1-2308346-3

1-2308346-7

Case

NOTES:

FINISH:

- 1-2308346-1 TO 1-2308346-8 - CASE RAW
- 1-2308346-9 TO 2-2308346-6 - CASE NICKEL-PLATED
- LOCKING SCREWS: NICKEL-PLATED
OTHER SCREWS: ZINC-PLATED
- TEMPERATURE RANGE: -40°C TO +90°C
- CABLE DIAMETER WITH EXTERNAL DIAMETER CABLE CLAMP: 8-16 mm.
- STRAND DIAMETER OF CRIMP FLANGE: 3.7-10.7 mm.

THIS DRAWING IS A CONTROLLED DOCUMENT.		DWN KIRAN K 29JUL2016		
DIMENSIONS: mm		CHK GUNASEKHAR G 29JUL2016		
TOLERANCES UNLESS OTHERWISE SPECIFIED: DIN ISO 2768-m DIN 16901 130B		APVD GUNASEKHAR G 29JUL2016	RESTRICTED TO	
		PRODUCT SPEC	SIZE A2	CAGE CODE 00779
MATERIAL		APPLICATION SPEC	DRAWING NO G=2308346	SCALE NTS
FINISH		WEIGHT	SHEET 1 of 2	REV A1
		CUSTOMER DRAWING		

1471-9 (1/15)

2308346

THIS DRAWING IS UNPUBLISHED. RELEASED FOR PUBLICATION
 © COPYRIGHT - By - ALL RIGHTS RESERVED.

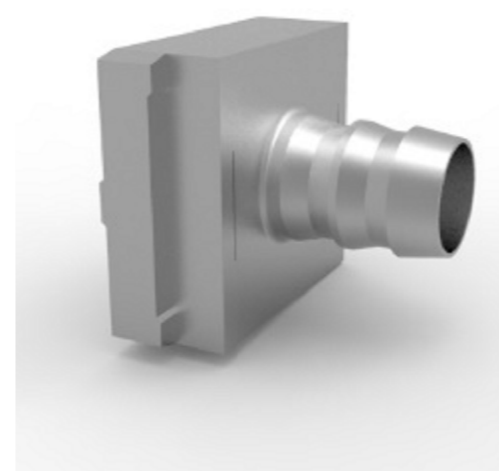
REVISIONS					
P	LTR	DESCRIPTION	DATE	DWN	APVD
-	-	SEE SHEET 1	-	-	-

PART NO.	DESCRIPTION	SUB-PART NO.	DESCRIPTION	A	d	WEIGHT, g
1-2308346-8	FULL METAL HOODS SIZE5-8	1-2308334-6	LOCKING SCREW (M3 LONG KNURLED)	S OVER	M3	98
1-2308346-7	FULL METAL HOODS SIZE5-7	1-2308334-5	LOCKING SCREW (4-40 UNC LONG KNURLED)		4-40 UNC	98
1-2308346-6	FULL METAL HOODS SIZE5-6	1-2308334-6	LOCKING SCREW (M3 LONG KNURLED)	50.0	M3	102
1-2308346-5	FULL METAL HOODS SIZE5-5	1-2308334-5	LOCKING SCREW (4-40 UNC LONG KNURLED)	50.0	4-40 UNC	102
1-2308346-4	FULL METAL HOODS SIZE5-4	1-2308334-4	LOCKING SCREW (M3 SHORT KNURLED)	24.0	M3	94
1-2308346-3	FULL METAL HOODS SIZE5-3	1-2308334-3	LOCKING SCREW (4-40 UNC SHORT KNURLED)	24.0	4-40 UNC	94
1-2308346-2	FULL METAL HOODS SIZE5-2	1-2308334-2	LOCKING SCREW (M3 W/SPRING WASHER)	20.7	M3	93
1-2308346-1	FULL METAL HOODS SIZE5-1	1-2308334-1	LOCKING SCREW (4-40 UNC W/SPRING WASHER)	20.7	4-40 UNC	93
PART NO. (CASE RAW)				LOCKING SCREWS		

PART NO.	DESCRIPTION	SUB-PART NO.	DESCRIPTION	A	d	WEIGHT, g
2-2308346-6	FULL METAL HOODS SIZE5-16	1-2308334-6	LOCKING SCREW (M3 LONG KNURLED)	S OVER	M3	98
2-2308346-5	FULL METAL HOODS SIZE5-15	1-2308334-5	LOCKING SCREW (4-40 UNC LONG KNURLED)		4-40 UNC	98
2-2308346-4	FULL METAL HOODS SIZE5-14	1-2308334-6	LOCKING SCREW (M3 LONG KNURLED)	50.0	M3	102
2-2308346-3	FULL METAL HOODS SIZE5-13	1-2308334-5	LOCKING SCREW (4-40 UNC LONG KNURLED)	50.0	4-40 UNC	102
2-2308346-2	FULL METAL HOODS SIZE5-12	1-2308334-4	LOCKING SCREW (M3 SHORT KNURLED)	24.0	M3	94
2-2308346-1	FULL METAL HOODS SIZE5-11	1-2308334-3	LOCKING SCREW (4-40 UNC SHORT KNURLED)	24.0	4-40 UNC	94
2-2308346-0	FULL METAL HOODS SIZE5-10	1-2308334-2	LOCKING SCREW (M3 W/SPRING WASHER)	20.7	M3	93
1-2308346-9	FULL METAL HOODS SIZE5-9	1-2308334-1	LOCKING SCREW (4-40 UNC W/SPRING WASHER)	20.7	4-40 UNC	93
PART NO. (CASE Ni-PLATED)				LOCKING SCREWS		

NOTE:

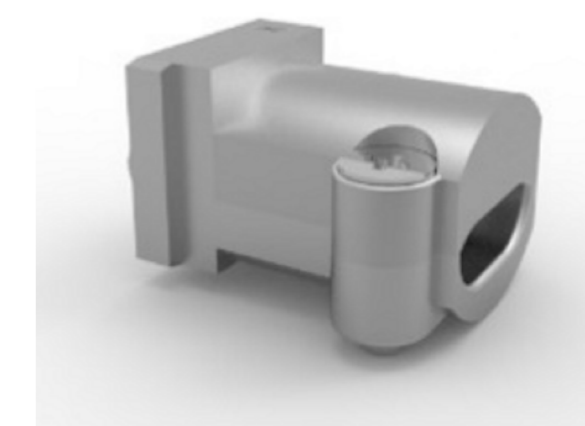
- * CRIMP FLANGE PN *-2308348-* TO BE ORDERED SEPARATELY.
- * CRIMP BARREL TO BE USED IN COMBINATION WITH THE FLANGE PN *-2308350-* TO BE ORDERED SEPARATELY.
- * CABLE CLAMP SCREW VERSION PN *-2308272-* TO BE ORDERED SEPARATELY.



CRIMP FLANGE



CRIMP BARREL



CABLE CLAMP

THIS DRAWING IS A CONTROLLED DOCUMENT.		DWN KIRAN K 29JUL2016		
DIMENSIONS: mm		CHK GUNASEKHAR G 29JUL2016		
TOLERANCES UNLESS OTHERWISE SPECIFIED: DIN ISO 2768-m DIN 16901 130B		APVD GUNASEKHAR G 29JUL2016	NAME FULL METAL HOODS SIZE 5	
		PRODUCT SPEC	SIZE A2	
MATERIAL		APPLICATION SPEC	CAGE CODE 00779	DRAWING NO G=2308346
FINISH		WEIGHT	SCALE NTS	SHEET 2 of 2
		CUSTOMER DRAWING	RESTRICTED TO	REV A1

X-ON Electronics

Largest Supplier of Electrical and Electronic Components

Click to view similar products for [D-Sub Backshells](#) category:

Click to view products by [TE Connectivity](#) manufacturer:

Other Similar products are found below :

[M85049/6-38N](#) [M85049/86-12N03](#) [M85049/90-13P03](#) [70.350.0636.4](#) [70.350.2435.1](#) [72.350.1035.2](#) [72.352.2435.1](#) [73.359.4035.3](#) [829472-1](#)
[PCS-E20W](#) [970-015-040R011](#) [970-025-040R011](#) [971-009-030R121](#) [971-009-040R011](#) [971-015-040R011](#) [1437013-9](#) [1484402-8](#) [156-3025-](#)
[EX](#) [16-500800](#) [165X02659X](#) [165X03329A](#) [165X03399A](#) [165X10259X](#) [165X11759X](#) [165X11889X](#) [165X13019X](#) [165X13029X](#)
[165X13169X](#) [165X13199X](#) [165X13239X](#) [165X13389X](#) [165X13489X](#) [165X14219X](#) [165X14449X](#) [165X17409X](#) [165X17439X](#)
[165X17569X](#) [165X17599X](#) [165X17609X](#) [165X17889X](#) [165X17979X](#) [L171373](#) [971-025-030R121](#) [300X10989X](#) [165X02609X](#)
[165X02639X](#) [165X02689X](#) [165X04219A](#) [165X10469X](#) [165X11279X](#)