

4

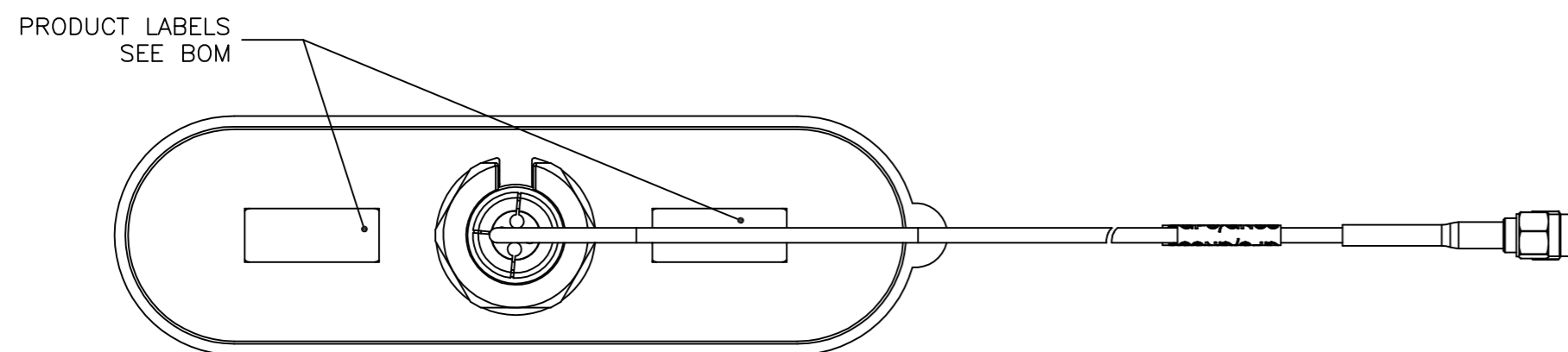
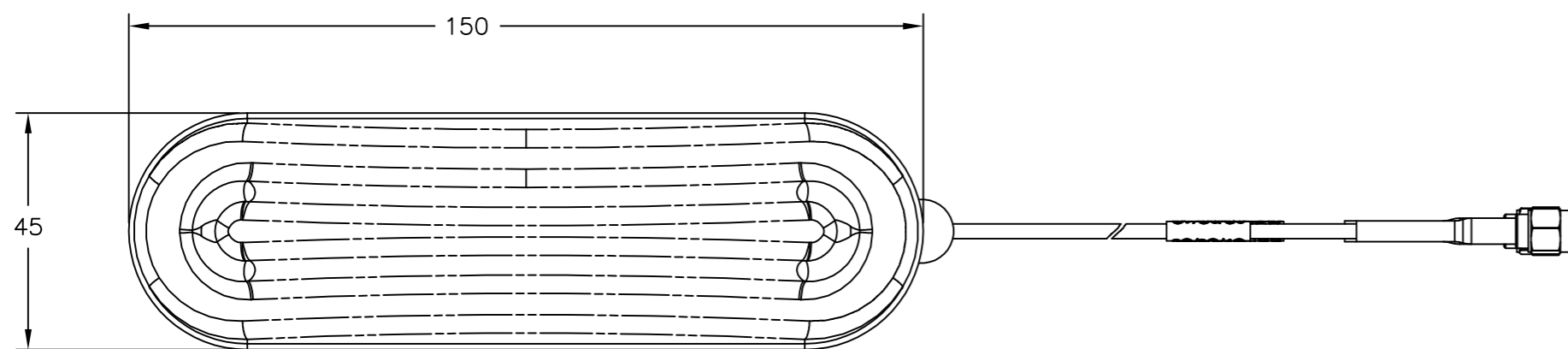
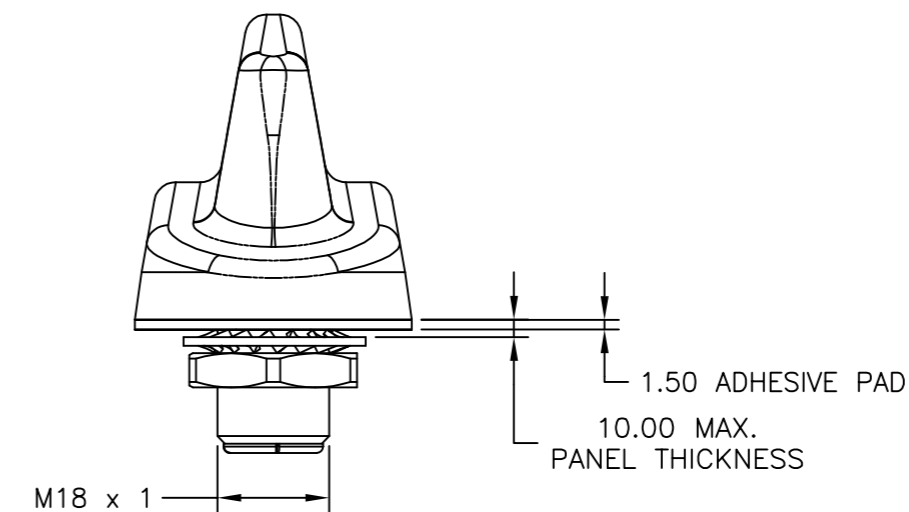
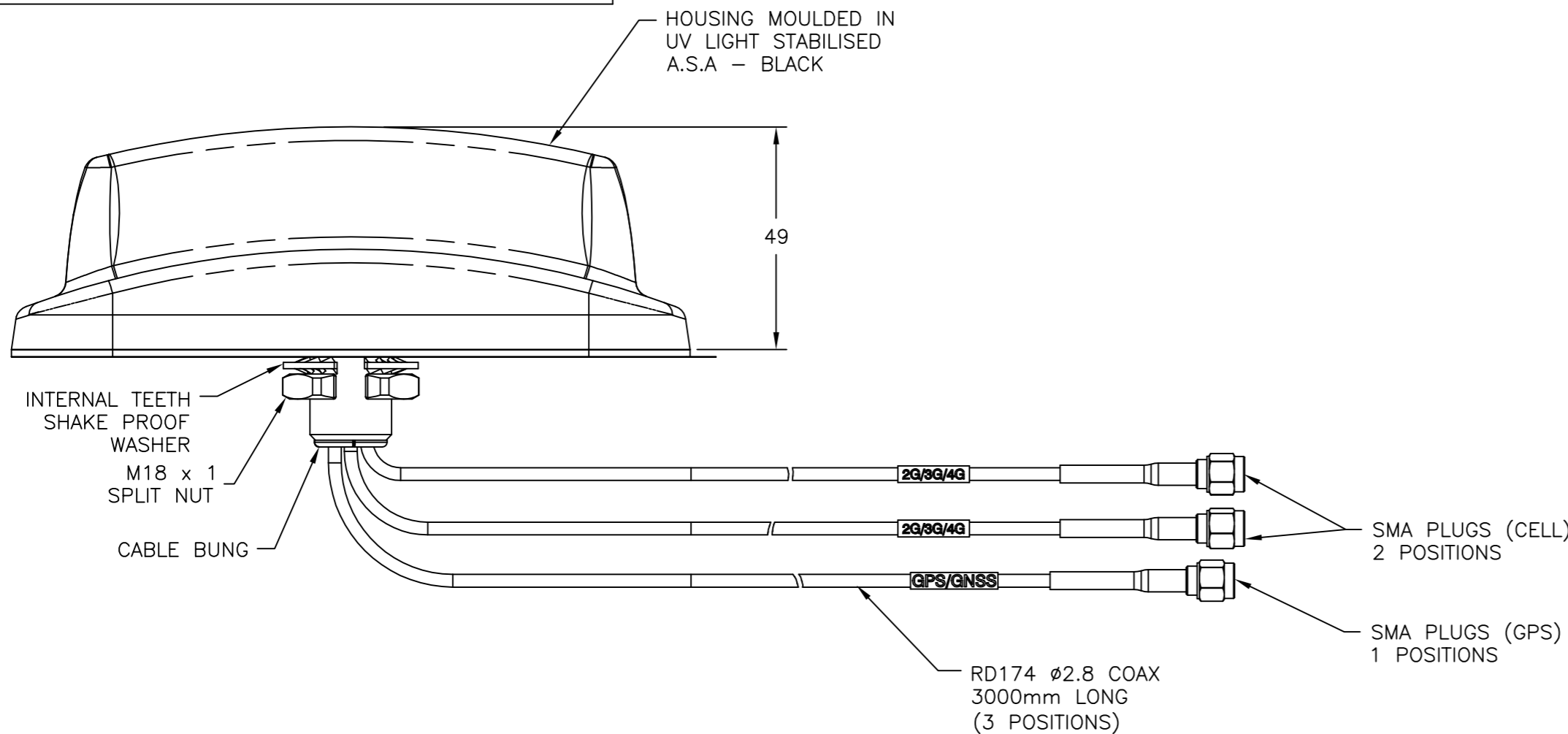
3

2

1

THIS DRAWING IS UNPUBLISHED.		RELEASED FOR PUBLICATION	
© COPYRIGHT - By -		ALL RIGHTS RESERVED.	
PROJECT	PRJ-16-000905033		
PART NO.	1-2309646-1		
HV DESC	LOW PROF MIMO 2/3/4G+GPS/GNSS 3m SMAP		
CUSTOMER	GENERAL MARKET		

REVISIONS				
P	LTR	DESCRIPTION	DATE	APVD
	A	NEW RELEASE	26AUG2016	KK GG



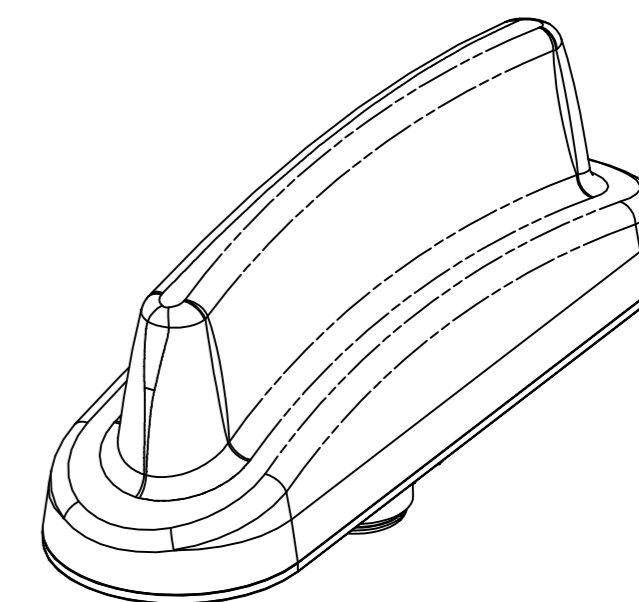
NOTES:

1. ALL MATERIALS SUPPLIED MUST BE RoHS2 (DIRECTIVE 2011/65/EU) COMPLIANT AND MUST NOT CONTAIN ANY SUBSTANCES OF VERY HIGH CONCERN (SVHCs) LISTED UNDER REACH OR POLY-AROMATIC HYDROCARBONS (PAHs), OR PERSISTENT ORGANIC POLLUTANTS (POPs) CONTROLLED BY THE STOCKHOLM CONVENTION.

2. WEIGHT 337.18g.

OPERATING FREQUENCIES:

698 - 960 / 1710 - 2700 MHz x2
1562 - 1612 MHz 26dB LNA



ISO VIEW

1-2309646-1	LOW PROF MIMO 2/3/4G +GPS/GNSS 3m SMAP	BLACK COLOR
TE PN'S	DESCRIPTION	REMARKS

THIS DRAWING IS A CONTROLLED DOCUMENT.	
DIMENSIONS: mm	TOLERANCES UNLESS OTHERWISE SPECIFIED:
0 PLC ± 0.5	1 PLC ± 0.1
2 PLC ± 0.2	3 PLC ± -
4 PLC ± -	ANGLES ± 1°
MATERIAL -	FINISH -

DWN KIRAN K 26AUG2016	TE Connectivity	
CHK GUNASEKHAR G 26AUG2016	NAME	
APVD GUNASEKHAR G 26AUG2016	PRODUCT SPEC	
APPLICATION SPEC	LOW PROF MIMO 2/3/4G +GPS/GNSS 3m SMAP	
WEIGHT	SIZE A2	CAGE CODE 00779
CUSTOMER DRAWING	DRAWING NO G=2309646	RESTRICTED TO -
SCALE NTS	SHEET 1 of 1	REV A

X-ON Electronics

Largest Supplier of Electrical and Electronic Components

Click to view similar products for [Antennas](#) category:

Click to view products by [TE Connectivity](#) manufacturer:

Other Similar products are found below :

[GAN30084EU](#) [930-033-R](#) [GW17.07.0250E](#) [1513563-1](#) [EXE902SM](#) [APAMPG-117](#) [MAF94383](#) [W3908B0100](#) [W6102B0100](#) [YE572113-30RSMM](#) [108-00014-50](#) [66089-2406](#) [SPDA17RP918](#) [A09-F8NF-M](#) [A09-F5NF-M](#) [RGFRA1903041A1T](#) [W3525BW100](#) [W3593B0100](#) [W3921B0100](#) [SIMNA-868](#) [SIMNA-915](#) [SIMNA-433](#) [W1044](#) [W1049B090](#) [A75-001](#) [WTL2449CQ1-FRSMM](#) [CPL9C](#) [EXB148BN](#) [0600-00060](#) [TRA9020S3PBN-001](#) [Y4503](#) [GD5W-28P-NF](#) [MA9-7N](#) [GD53-25](#) [GD5W-21P-NF](#) [C37](#) [MAF94051](#) [MA9-5N](#) [EXD420PL](#) [B1322NR](#) [QWFTB120](#) [MAF94271](#) [MAF94300](#) [GPSMB301](#) [FG4403](#) [AO-AGSM-OM54](#) [5200232](#) [MIKROE-2349](#) [WCM.01.0111](#) [MIKROE-2393](#)