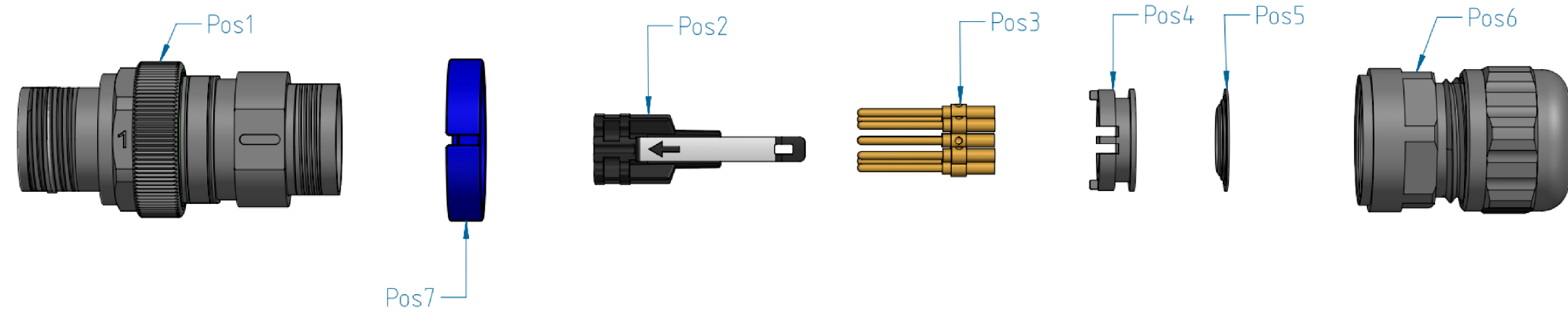


PROJECT	PRJ-14-00004825
PART NO.	X-2312547-X
DESCRIPTION	M12 A-CODED M-8 CABLE GLAND CONNECTOR MALE
CUSTOMER	GENERAL MARKET

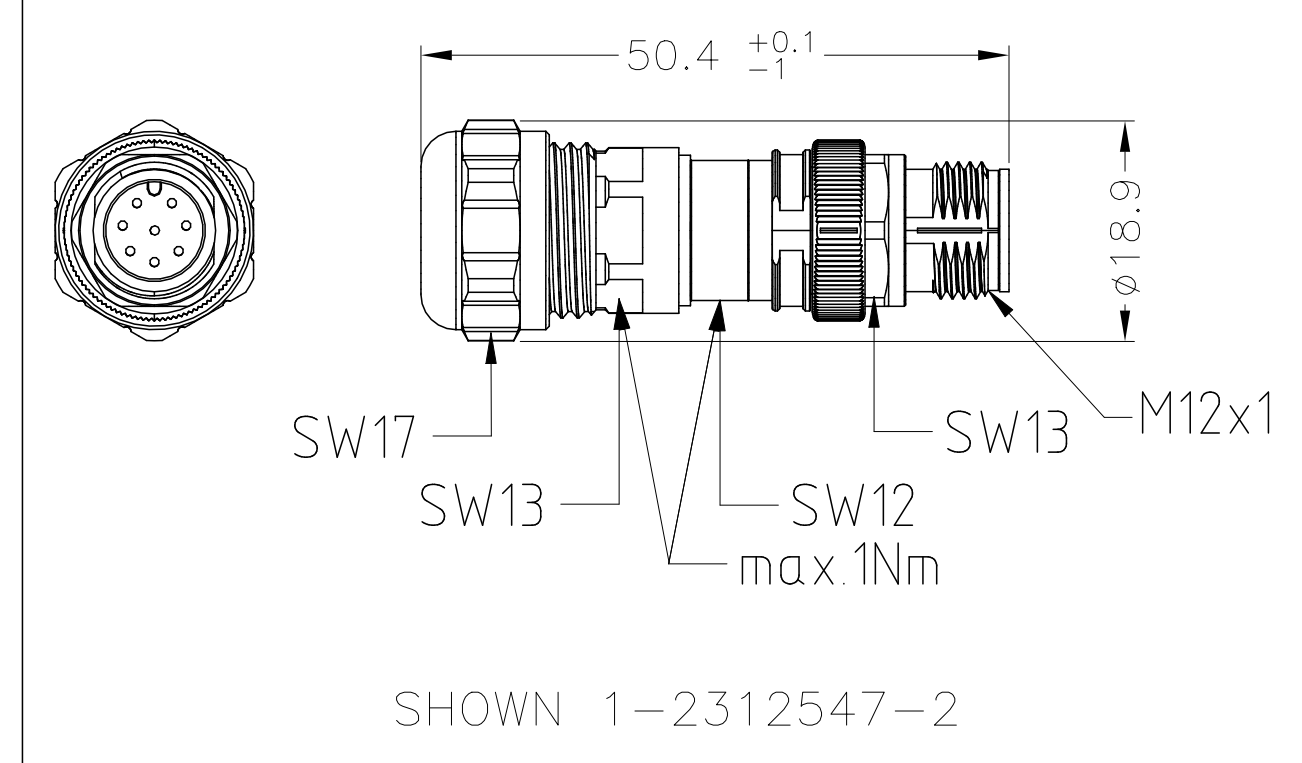
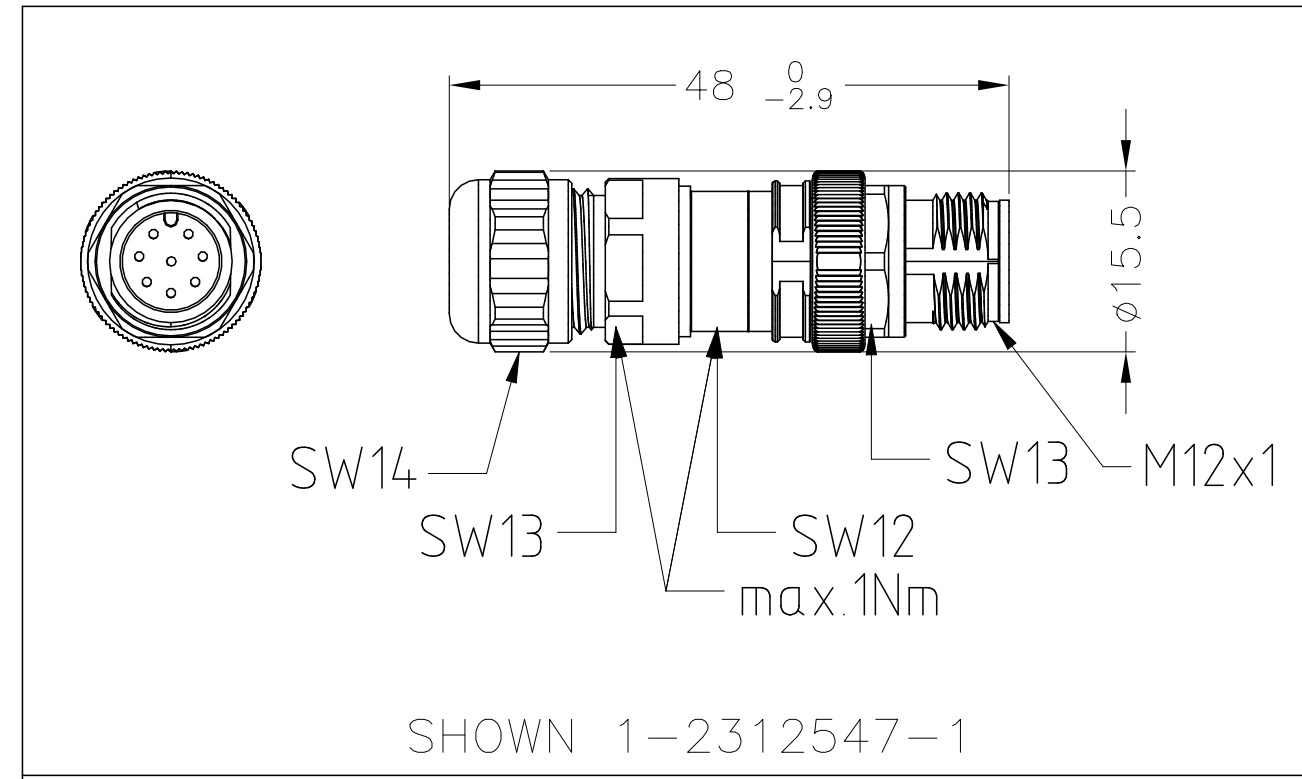
REVISIONS					
P	LTR	DESCRIPTION	DATE	DWN	APVD
B		REVISED PER ECR-20-010425	04AUG2020	GK	SE



7	(1)	COLOR RING (OPTIONAL)	THERMOPLASTIC
6	1	CABLE GLAND	Cu-ALLOY
5	1	DISC	Cu-ALLOY
4	1	DISC HEAD	Cu-ALLOY
3	-	ORDERED SEPARATELY	Cu-ALLOY GOLD-PLATED
2	1	CONTACT HOLDER	PA (THERMOPLAST)
1	1	FRONT HOUSING	Cu-ALLOY NICKEL-PLATED
SL. NO.	QTY	DESCRIPTION	MATERIAL

M12 A-CODED M-8 CABLE GLAND MALE CONNECTOR

SL. NO.	TE PART NO.	DESCRIPTION	No. of CONTACTS	OUTSIDE CABLE DIA
1	1-2312547-1	M12 A-CODED M-8 CABLE GLAND CONNECTOR MALE 4-6.5 mm	8	4-6.5 mm
2	1-2312547-2	M12 A-CODED M-8 CABLE GLAND CONNECTOR MALE 5.5-9 mm	8	5.5-9 mm



SHIELD DISC CHART		
PART NAME	CENTER HOLE SHIELD DISC	CABLE DIAMETER W/O OUTER SHEATH
SHIELD DISC 1	4 mm	3.9 mm MAX.
SHIELD DISC 2	5 mm	4.9 mm MAX.
SHIELD DISC 3	6 mm	5.9 mm MAX.
SHIELD DISC 4	7 mm	6.9 mm MAX.

CONTACTS TABLE					
M12 CODING	PIN/SOCKET	PICTURE	WIRE SIZE	TE P/N	DESCRIPTION
A8 CODING	PIN		AWG22/24	1-2314097-1	M12 CRIMP CONTACT PIN 0.8mm Au 0.8µ
			AWG26/28	1-2314097-2	M12 CRIMP CONTACT PIN 0.8mm Au 0.8µ

PLEASE NOTE: CONTACTS NEED TO BE ORDERED SEPARATELY DEPENDING ON THE AWG SIZE.

NOTES:

- ALL DIMENSIONS ARE FOR NOMINAL REFERENCE ONLY.
- PACKAGING: 1 PIECE IN A BAG.
- THE CONNECTOR IS AS PER IEC 61076-2-101.
- TEMPERATURE RANGE: -40°C TO 85°C.
- VIBRATION & SHOCK TEST CONDUCTED AS PER IEC 61373:1999.
- FIRE PERFORMANCE CONDUCTED AS PER EN45545-2, NFF16-101 AND NFF16-102.
- THE THREAD OF THE MATING INTERFACE WITH THE COUNTERPART IS M12x1 ACCORDING TO IEC61076-2-101.
- SUPPLIER RECOMMENDED CRIMP INSERT: SHOULD BE VALIDATED ON CABLE USED.
- SHIELD DISC 1 - 4 ARE SUPPLIED IN THE BOX.



ISO VIEW

THIS DRAWING IS A CONTROLLED DOCUMENT.		DWN 04AUG2020 GOPALAKRISHNA HV	TE Connectivity		
DIMENSIONS: mm		CHK 04AUG2020 S. EGBERT			
TOLERANCES UNLESS OTHERWISE SPECIFIED: DIN ISO 2768 m		APVD 04AUG2020 S. EGBERT	NAME M12 A-CODED M-8 CABLE GLAND CONNECTORS MALE		
0 PLC ± - 1 PLC ± - 2 PLC ± - 3 PLC ± - 4 PLC ± - ANGLES ± -		PRODUCT SPEC 108-156001	SIZE A2		
MATERIAL - FINISH -		APPLICATION SPEC 114-156002	CAGE CODE 00779		DRAWING NO C-2312547
		WEIGHT -	SCALE NTS		SHEET 1 of 1
		CUSTOMER DRAWING	REV B		

## X-ON Electronics

Largest Supplier of Electrical and Electronic Components

*Click to view similar products for [Circular Metric Connectors](#) category:*

*Click to view products by [TE Connectivity](#) manufacturer:*

Other Similar products are found below :

[600X518037X](#) [6STD15PCR99B70A](#) [8R4000A16M020](#) [8R5000A16M005](#) [1200910002](#) [1203580030](#) [1200910008](#) [1200910011](#) [1300140094](#)  
[130203-0054](#) [1300140026](#) [1300150099](#) [RF-12S1N8A90DU](#) [1612618](#) [21036836414](#) [8R4006A16M010](#) [8R5006A18A120](#) [1604232](#)  
[1R3006A20M005](#) [RF-12P1N8A80DU](#) [RF-12P1N8A90DU](#) [41-40011](#) [42-00006](#) [42-01015](#) [4-22279-4](#) [4-22281-1](#) [4-22284-9](#) [43-00113](#) [43-](#)  
[01088](#) [43-01203](#) [41-40013](#) [42-00008](#) [43-00343](#) [43-01032](#) [43-01162](#) [43-01173](#) [43-10000](#) [XS3P-M421-2](#) [600X518050X](#) [SACC-DSI-FS-5P-](#)  
[PG9-L180 SC](#) [8R5006A16M020](#) [8R5006A16M005](#) [8R4000A16M010](#) [6-22279-3](#) [1605332](#) [N03FA03144](#) [1300140077](#) [43-16213](#) [43-01338](#)  
[XS2RD4265](#)