

4

3

2

1

THIS DRAWING IS UNPUBLISHED.

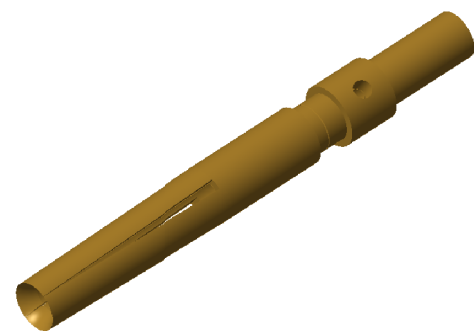
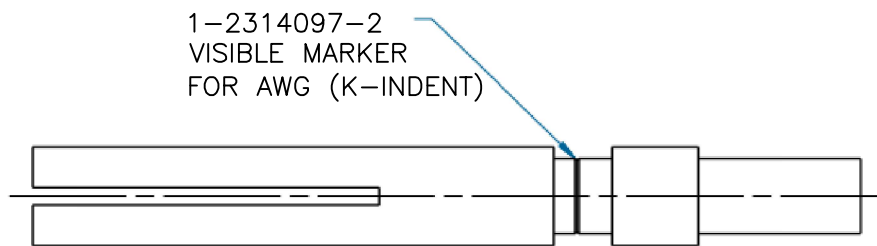
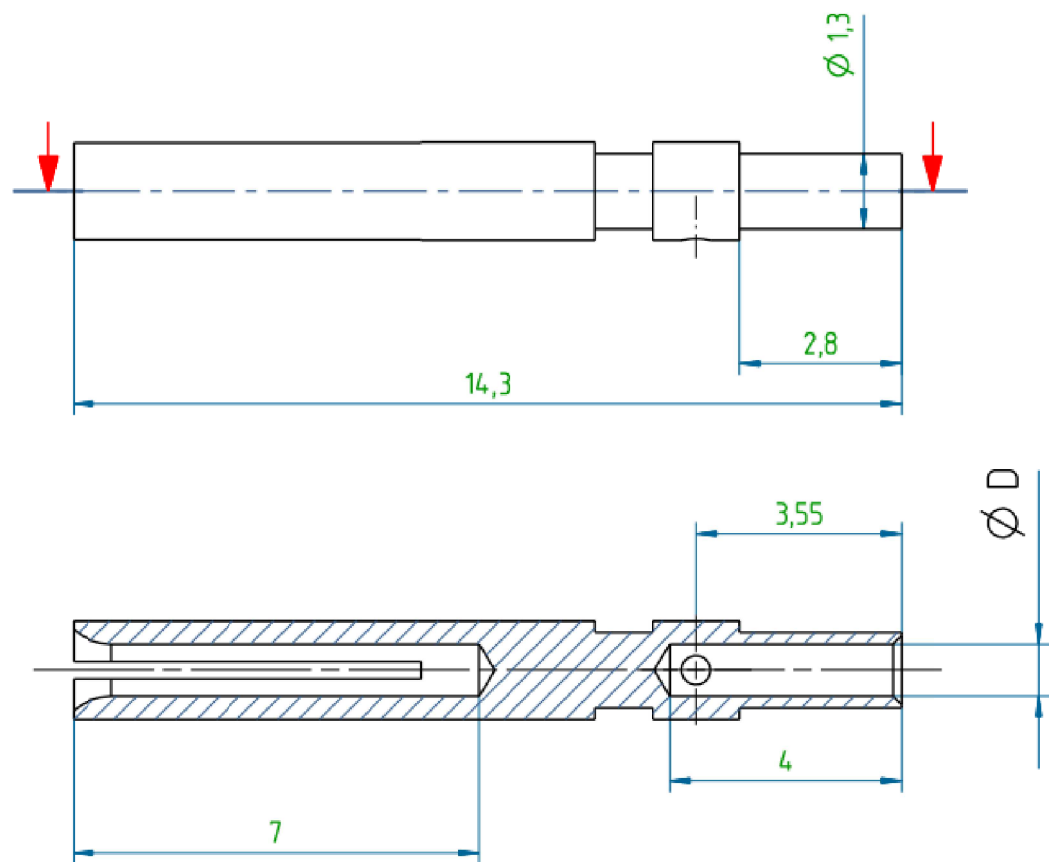
RELEASED FOR PUBLICATION

REVISIONS

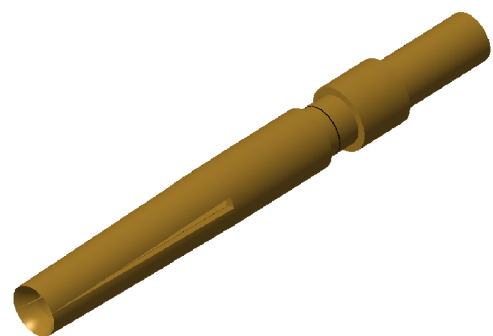
© COPYRIGHT - By - ALL RIGHTS RESERVED.

P	LTR	DESCRIPTION	DATE	DWN	APVD
	A1	REVISED PER ECR-16-014891	09JAN2017	KK	SE

PROJECT	PRJ-14-000004825
PART NO.	X-2314101-X
DESCRIPTION	M12 CRIMP CONTACT SOCKET 0.8mm AWG22/AWG26
CUSTOMER	GENERAL MARKET



1-2314101-1



1-2314101-2

NOTES:

- APPLICATION TOOLING TO BE USED  
601967-1 (STANDARD) OR  
601966-1 (COMPACT).

2	1-2314101-2	M12 CRIMP CONTACT SOCKET A 0.8MM AWG26 (AU08)	0.6	BRASS	1.5-2.5µm Ni/0.8µmAu	K-INDENT
1	1-2314101-1	M12 CRIMP CONTACT SOCKET A 0.8MM AWG22 (AU08)	0.9		1.5-2.5µm Ni/0.8µmAu	-
SL.NO	PART NO.	PART NAME	ØD	MATERIAL	SURFACE TREATMENT	REMARKS

THIS DRAWING IS A CONTROLLED DOCUMENT.

DWN KIRAN K 06DEC2016

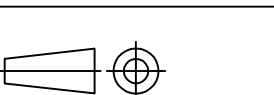
CHK KIRAN K 06DEC2016

APVD S EGBERT 06DEC2016



DIMENSIONS: mm

TOLERANCES UNLESS OTHERWISE SPECIFIED: DIN ISO 2768 m



0 PLC	± -
1 PLC	± -
2 PLC	± -
3 PLC	± -
4 PLC	± -
ANGLES	± -

MATERIAL - FINISH -

PRODUCT SPEC

108-156001

APPLICATION SPEC

114-156002

WEIGHT

CUSTOMER DRAWING

NAME M12 CRIMP CONTACT SOCKET 0.8mm AWG22/AWG26

SIZE	CAGE CODE	DRAWING NO	RESTRICTED TO
A3	A	©=2314101	-

SCALE NTS SHEET 1 OF 1 REV A1

## X-ON Electronics

Largest Supplier of Electrical and Electronic Components

*Click to view similar products for [Circular Metric Connectors](#) category:*

*Click to view products by [TE Connectivity](#) manufacturer:*

Other Similar products are found below :

[600X518037X](#) [6STD15PCR99B70A](#) [8R4000A16M020](#) [8R5000A16M005](#) [1200910002](#) [1203580030](#) [1200910008](#) [1200910011](#) [1300140094](#)  
[130203-0054](#) [1300140026](#) [1300150099](#) [RF-12S1N8A90DU](#) [1612618](#) [21036836414](#) [8R4006A16M010](#) [1604232](#) [1R3006A20M005](#) [RF-](#)  
[12P1N8A80DU](#) [RF-12P1N8A90DU](#) [41-40011](#) [42-00006](#) [42-01015](#) [4-22279-4](#) [4-22281-1](#) [4-22284-9](#) [43-00113](#) [43-01088](#) [43-01203](#) [41-](#)  
[40013](#) [42-00008](#) [43-00343](#) [43-01026](#) [43-01032](#) [43-01162](#) [43-01173](#) [43-10000](#) [XS3P-M421-2](#) [600X518050X](#) [SACC-DSI-FS-5P-PG9-L180](#)  
[SC](#) [8R5006A16M020](#) [8R5006A16M005](#) [8R4000A16M010](#) [6-22279-3](#) [1605332](#) [N03FA03144](#) [1300140077](#) [43-16213](#) [43-01338](#)  
[XS2RD4265](#)