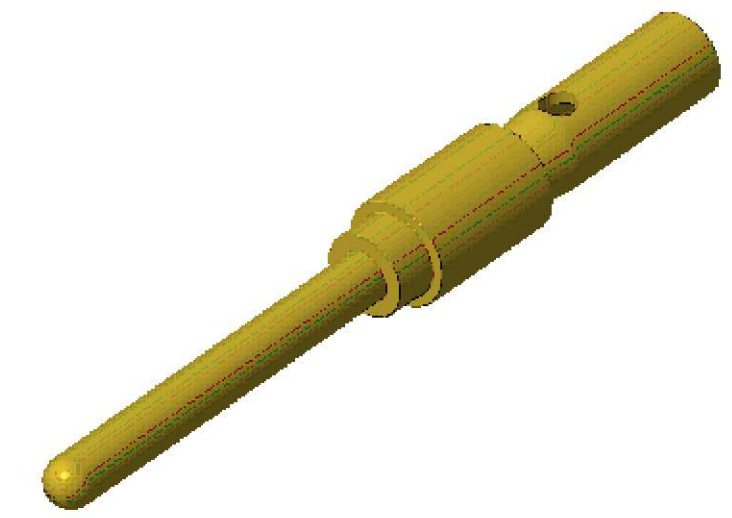
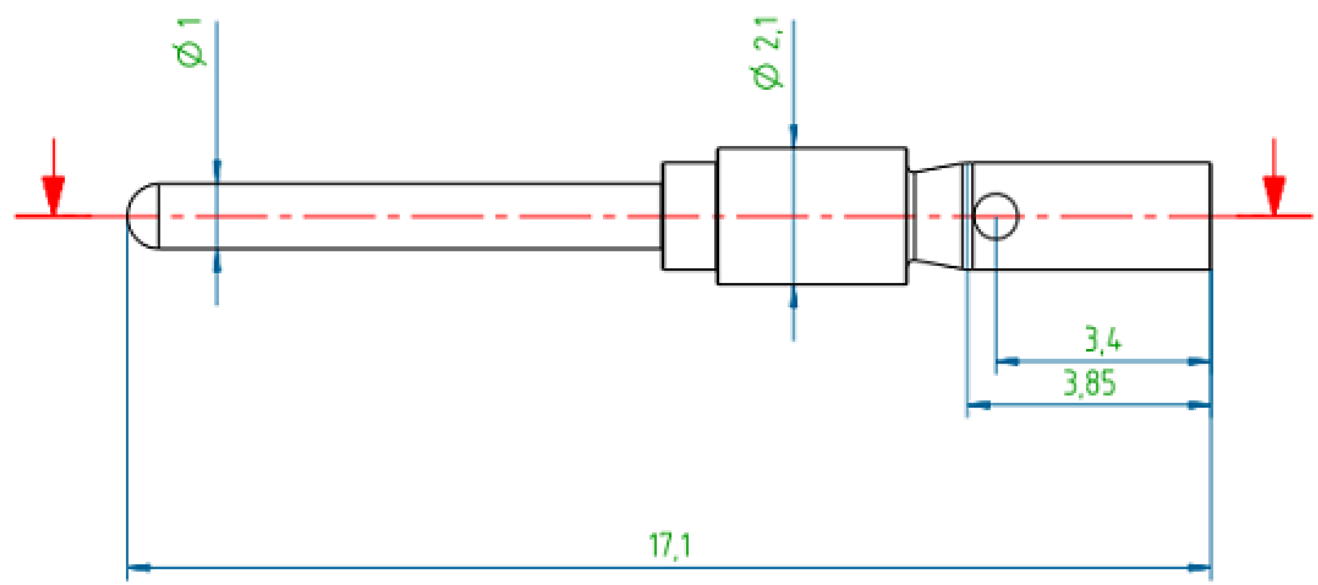


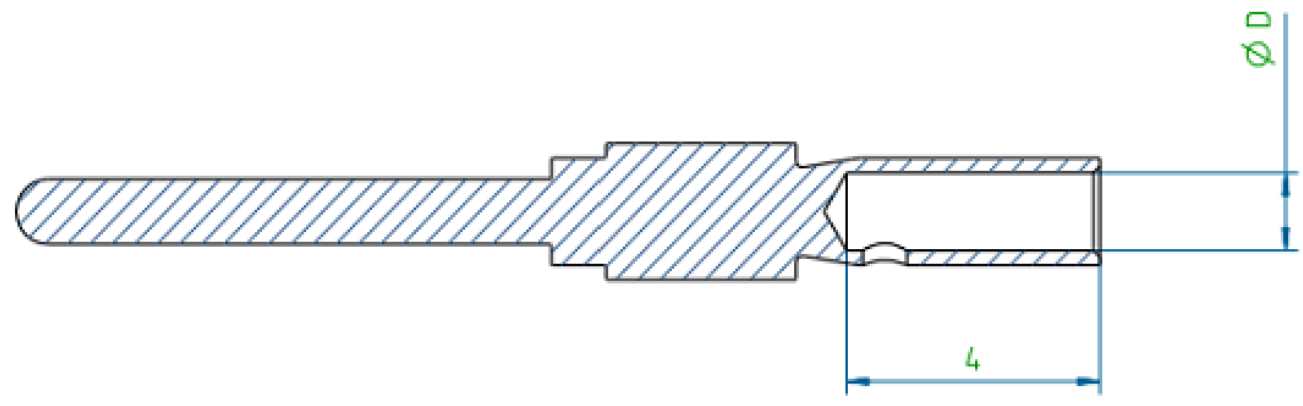
THIS DRAWING IS UNPUBLISHED. RELEASED FOR PUBLICATION SEP ,2017.  
 © COPYRIGHT 2017 By TE Connectivity ALL RIGHTS RESERVED.

|             |   |
|-------------|---|
| PROJECT     | PRJ-14-000004825                              |
| PART NO.    | X-2314102-X                                   |
| DESCRIPTION | M12 CRIMP CONTACT PIN 1mm Au 0.8μ AWG20/AWG22 |
| CUSTOMER    | GENERAL MARKET                                |

| REVISIONS |     |                           |           |     |      |
|-----------|-----|---------------------------|-----------|-----|------|
| P         | LTR | DESCRIPTION               | DATE      | DWN | APVD |
|           | A2  | REVISED PER ECR-17-013331 | 11SEP2017 | GK  | SE   |



ISO VIEW



NOTES:  
 1. APPLICATION TOOLING TO BE USED  
 601967-1 (STANDARD) OR  
 601966-1 (COMPACT).

| SL. NO | PART NO.    | PART NAME                                     | ØD  | MATERIAL | SURFACE TREATMENT        | REMARKS |
|--------|-------------|---|-----|----------|--------------------------|---------|
| 3      | 1-2314102-4 | M12 CRIMP CONTACT PIN<br>1mm AWG26 Au 0.8μ    | 0.6 | BRASS    | 1.5-2.5μm<br>Ni/0.8μm Au | -       |
| 2      | 1-2314102-2 | M12 CRIMP CONTACT PIN<br>1mm AWG22/24 Au 0.8μ | 0.9 |          |                          | -       |
| 1      | 1-2314102-1 | M12 CRIMP CONTACT PIN<br>1mm AWG20 Au 0.8μ    | 1.1 |          |                          | -       |

|  |  |                                |  |                    |                         |
|--|--|--------------------------------|--|--------------------|-------------------------|
| THIS DRAWING IS A CONTROLLED DOCUMENT.                   |  | DWN<br>KIRAN K<br>06DEC2016    | TE Connectivity  |                    |                         |
| DIMENSIONS:<br>mm  |  | CHK<br>KIRAN K<br>06DEC2016    |  |                    |                         |
| TOLERANCES UNLESS OTHERWISE SPECIFIED:<br>DIN ISO 2768 m |  | APVD<br>S EGBERT<br>06DEC2016  | NAME<br>M12 CRIMP CONTACT PIN<br>1mm Au 0.8 MICRON AWG20/AWG22 |                    |                         |
|  |  | PRODUCT SPEC<br>108-156001     | RESTRICTED TO  |                    |                         |
| MATERIAL   |  | APPLICATION SPEC<br>114-156002 | SIZE<br>A3   | CAGE CODE<br>00779 | DRAWING NO<br>C-2314102 |
| FINISH   |  | WEIGHT                         | SCALE<br>NTS   |                    |                         |
|  |  | CUSTOMER DRAWING               |  | SHEET<br>1 OF 1    | REV<br>A2               |

## X-ON Electronics

Largest Supplier of Electrical and Electronic Components

*Click to view similar products for [Circular Metric Connectors](#) category:*

*Click to view products by [TE Connectivity](#) manufacturer:*

Other Similar products are found below :

[600X518037X](#) [6STD15PCR99B70A](#) [8R4000A16M020](#) [8R5000A16M005](#) [1200910002](#) [1203580030](#) [1200910008](#) [1200910011](#) [1300140094](#)  
[130203-0054](#) [1300140026](#) [1300150099](#) [RF-12S1N8A90DU](#) [1612618](#) [21036836414](#) [8R4006A16M010](#) [8R5006A18A120](#) [1604232](#)  
[1R3006A20M005](#) [RF-12P1N8A80DU](#) [RF-12P1N8A90DU](#) [41-40011](#) [42-00006](#) [42-01015](#) [4-22279-4](#) [4-22281-1](#) [4-22284-9](#) [43-00113](#) [43-](#)  
[01088](#) [43-01203](#) [41-40013](#) [42-00008](#) [43-00343](#) [43-01032](#) [43-01162](#) [43-01173](#) [43-10000](#) [XS3P-M421-2](#) [600X518050X](#) [SACC-DSI-FS-5P-](#)  
[PG9-L180 SC](#) [8R5006A16M020](#) [8R5006A16M005](#) [8R4000A16M010](#) [6-22279-3](#) [1605332](#) [N03FA03144](#) [1300140077](#) [43-16213](#) [43-01338](#)  
[XS2RD4265](#)