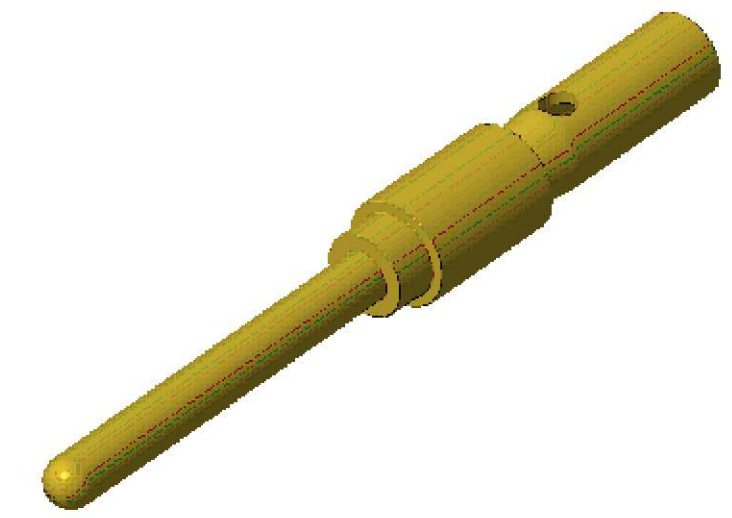
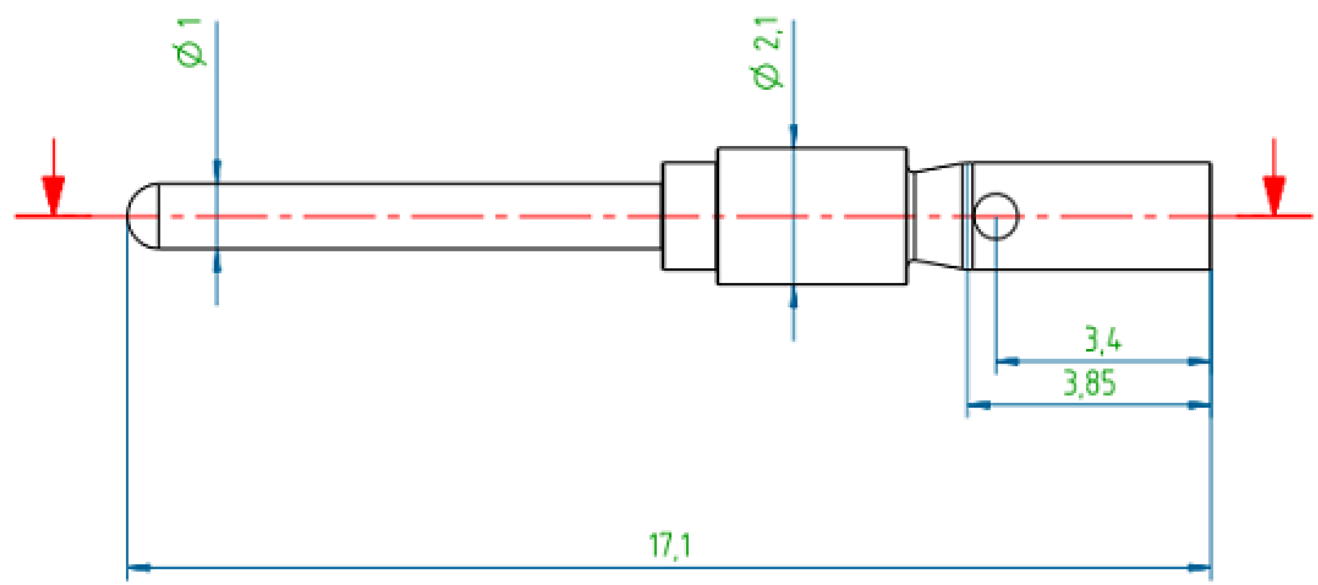


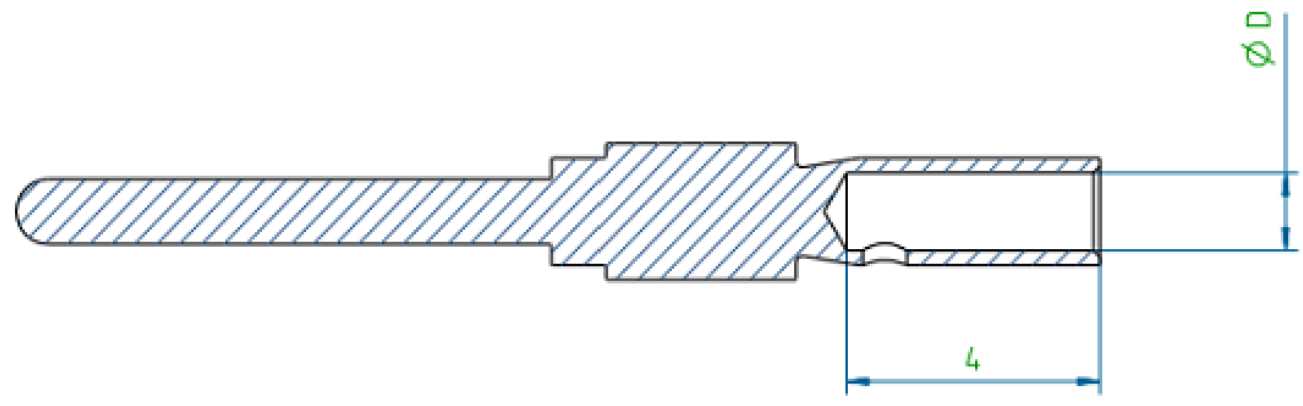
THIS DRAWING IS UNPUBLISHED. RELEASED FOR PUBLICATION SEP ,2017.  
 © COPYRIGHT 2017 By TE Connectivity ALL RIGHTS RESERVED.

PROJECT	PRJ-14-000004825
PART NO.	X-2314102-X
DESCRIPTION	M12 CRIMP CONTACT PIN 1mm Au 0.8μ AWG20/AWG22
CUSTOMER	GENERAL MARKET

REVISIONS					
P	LTR	DESCRIPTION	DATE	DWN	APVD
	A2	REVISED PER ECR-17-013331	11SEP2017	GK	SE



ISO VIEW



NOTES:  
 1. APPLICATION TOOLING TO BE USED  
 601967-1 (STANDARD) OR  
 601966-1 (COMPACT).

SL. NO	PART NO.	PART NAME	φD	MATERIAL	SURFACE TREATMENT	REMARKS
3	1-2314102-4	M12 CRIMP CONTACT PIN 1mm AWG26 Au 0.8μ	0.6	BRASS	1.5-2.5μm Ni/0.8μm Au	-
2	1-2314102-2	M12 CRIMP CONTACT PIN 1mm AWG22/24 Au 0.8μ	0.9			-
1	1-2314102-1	M12 CRIMP CONTACT PIN 1mm AWG20 Au 0.8μ	1.1			-

THIS DRAWING IS A CONTROLLED DOCUMENT.		DWN KIRAN K 06DEC2016	TE Connectivity		
DIMENSIONS: mm		CHK KIRAN K 06DEC2016			
TOLERANCES UNLESS OTHERWISE SPECIFIED: DIN ISO 2768 m		APVD S EGBERT 06DEC2016	NAME M12 CRIMP CONTACT PIN 1mm Au 0.8 MICRON AWG20/AWG22		
		PRODUCT SPEC 108-156001	RESTRICTED TO		
MATERIAL		APPLICATION SPEC 114-156002	SIZE A3	CAGE CODE 00779	DRAWING NO C-2314102
FINISH		WEIGHT	SCALE NTS		
		CUSTOMER DRAWING		SHEET 1 OF 1	REV A2

## X-ON Electronics

Largest Supplier of Electrical and Electronic Components

*Click to view similar products for [Circular Metric Connectors](#) category:*

*Click to view products by [TE Connectivity](#) manufacturer:*

Other Similar products are found below :

[600X518037X](#) [6STD15PCR99B70A](#) [8R4000A16M020](#) [8R5000A16M005](#) [1200910002](#) [1203580030](#) [1200910008](#) [1200910011](#) [1300140094](#)  
[130203-0054](#) [1300140026](#) [1300150099](#) [RF-12S1N8A90DU](#) [1-3637-600-5205](#) [1612618](#) [21036836414](#) [8R4006A16M010](#) [8R5006A18A120](#)  
[1604232](#) [1R3006A20M005](#) [RF-12P1N8A80DU](#) [RF-12P1N8A90DU](#) [41-40011](#) [42-01015](#) [4-22279-4](#) [4-22281-1](#) [4-22284-9](#) [43-01088](#) [43-](#)  
[01203](#) [41-40013](#) [42-00008](#) [43-00343](#) [43-01032](#) [43-01162](#) [43-10000](#) [600X518050X](#) [SACC-DSI-FS-5P-PG9-L180 SC](#) [8R5006A16M020](#)  
[8R5006A16M005](#) [8R4000A16M010](#) [6-22279-3](#) [1605332](#) [N03FA03144](#) [1300140077](#) [43-01338](#) [XS2RD4265](#) [RSC 4/9](#) [XS2R-D426-1](#)  
[XS8A-0441](#) [859RD04-103R004](#)