

THIS DRAWING IS UNPUBLISHED. RELEASED FOR PUBLICATION 20
 © COPYRIGHT 20 BY - ALL RIGHTS RESERVED.

REVISIONS				
P	LTR	DESCRIPTION	DATE	APVD
	A2	2314277-2 RELEASED	31 JUL 2018	SM

ABSOLUTE MAXIMUM RATINGS	SYMBOL	MIN	MAX	UNIT
STORAGE TEMPERATURE	Tstg	-40	85	°C
POWER SUPPLY INPUT VOLTAGE	Vdd	3.1	3.5	VDC
TOTAL SYSTEM CURRENT DRAW	Id	x	10	mA

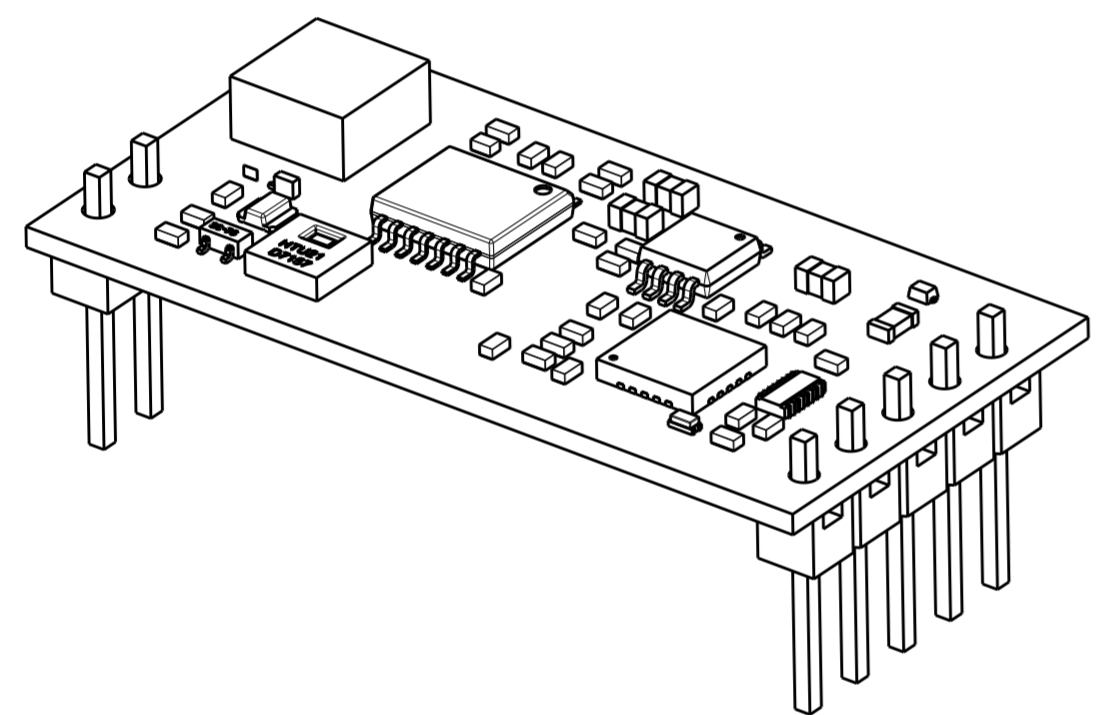
ELECTRICAL CHARACTERISTICS	MIN	MAX	UNIT
ANALOG AUDIO OUTPUT SENSITIVITY	-25	-19	dBV
ANALOG AUDIO OUTPUT FREQ RANGE	100	10k	Hz

ENVIRONMENTAL CHARACTERISTICS	MIN	MAX	UNIT
OPERATING TEMPERATURE	-5	50	°C
RELATIVE HUMIDITY OPERATING, NON-CONDENSING ENVIRONMENT	5	95	%

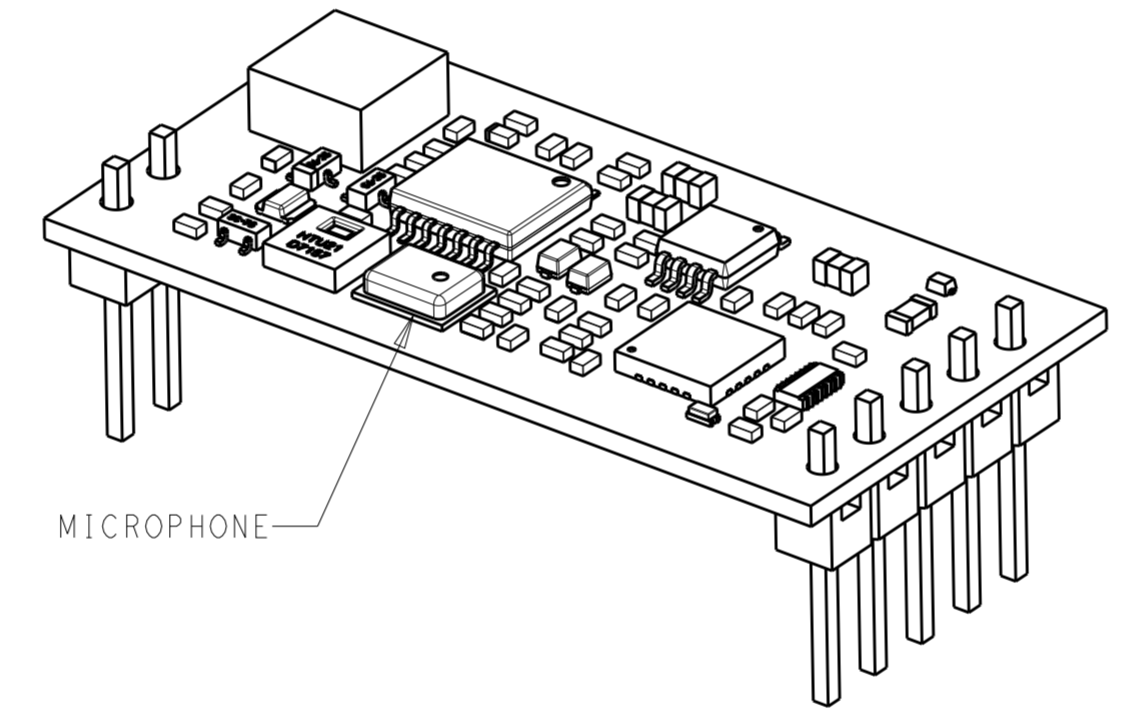
ITEM: SENSOR	SENSOR PERFORMANCE
1: TEMPERATURE	-5°C TO +50°C ±0.3°C ACCURACY, 1 SECOND ACQUISITION RATE
2: RELATIVE HUMIDITY	5% TO 95% RH, 2% ACCURACY, 1 SECOND ACQUISITION RATE
3: MOTION	INTERRUPT DRIVEN, RESPONSE <0.5 SECS.
4: AMBIENT LIGHT LEVELS	1 SECOND ACQUISITION RATE
5: MICROPHONE	INTERRUPT DRIVEN, RESPONSE <0.5 SECS.

NOTES:

1. THIS PRODUCT HAS NOT COMPLETED VALIDATION TESTING,
2. MUST COMPLY WITH DIRECTIVE 2002/95/EC (ROHS).
3. SEPARATE LENS IS AVAILABLE UNDER TE P/N: 2317697-1.

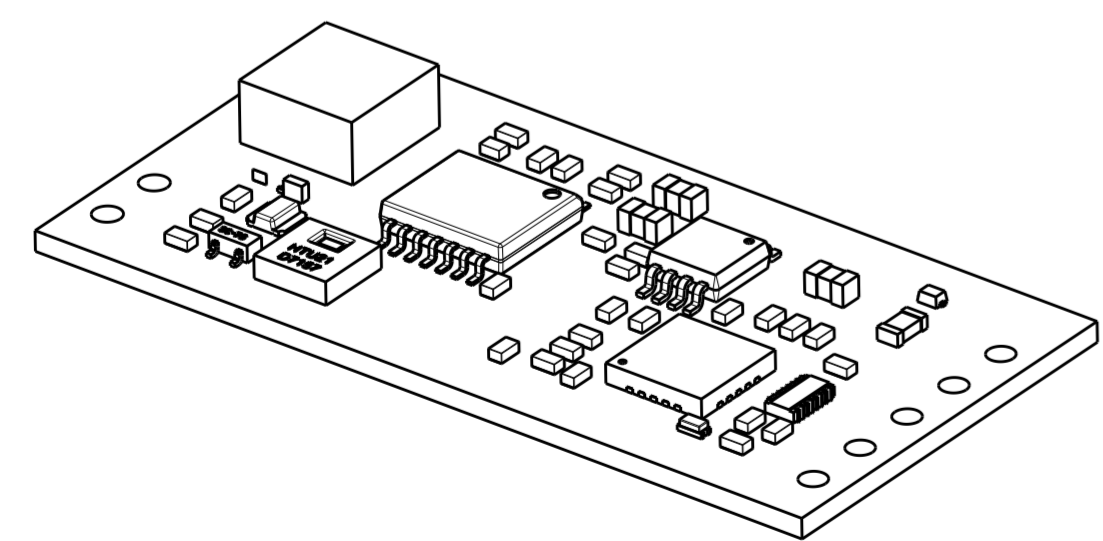


2314277-1 SHOWN

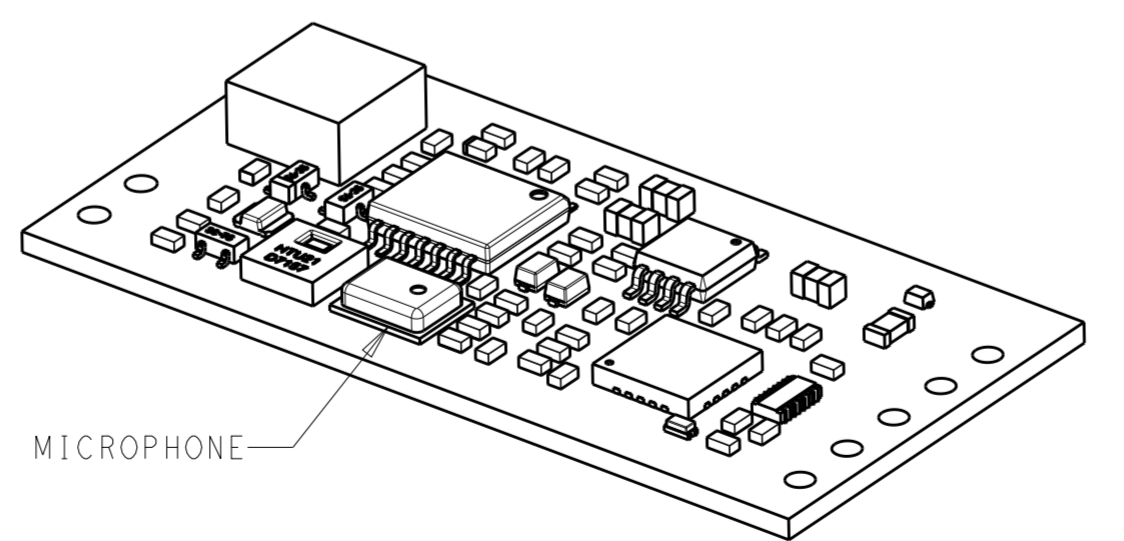


MICROPHONE

2314277-2 SHOWN

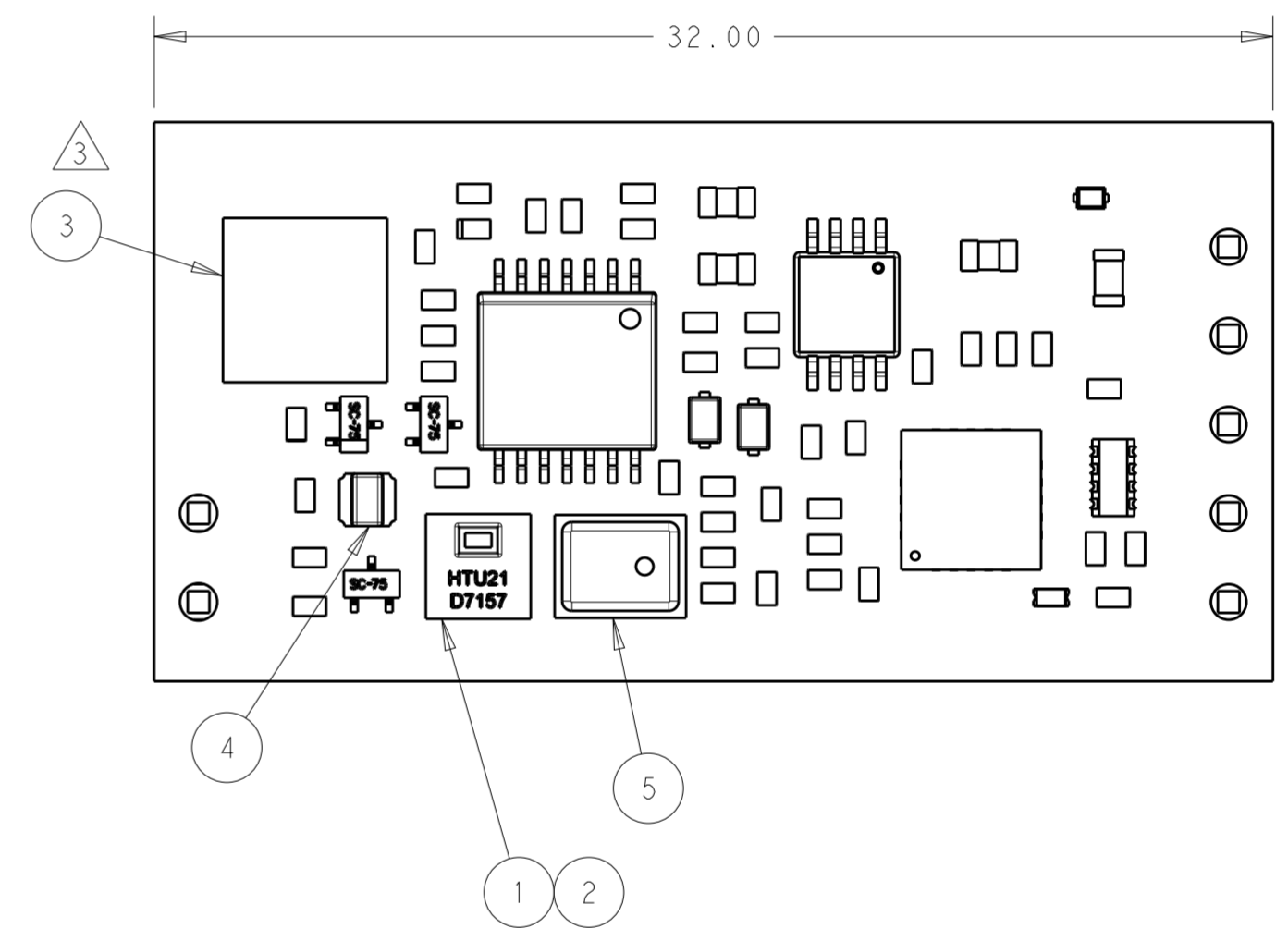


1-2314277-1 SHOWN



MICROPHONE

1-2314277-2 SHOWN

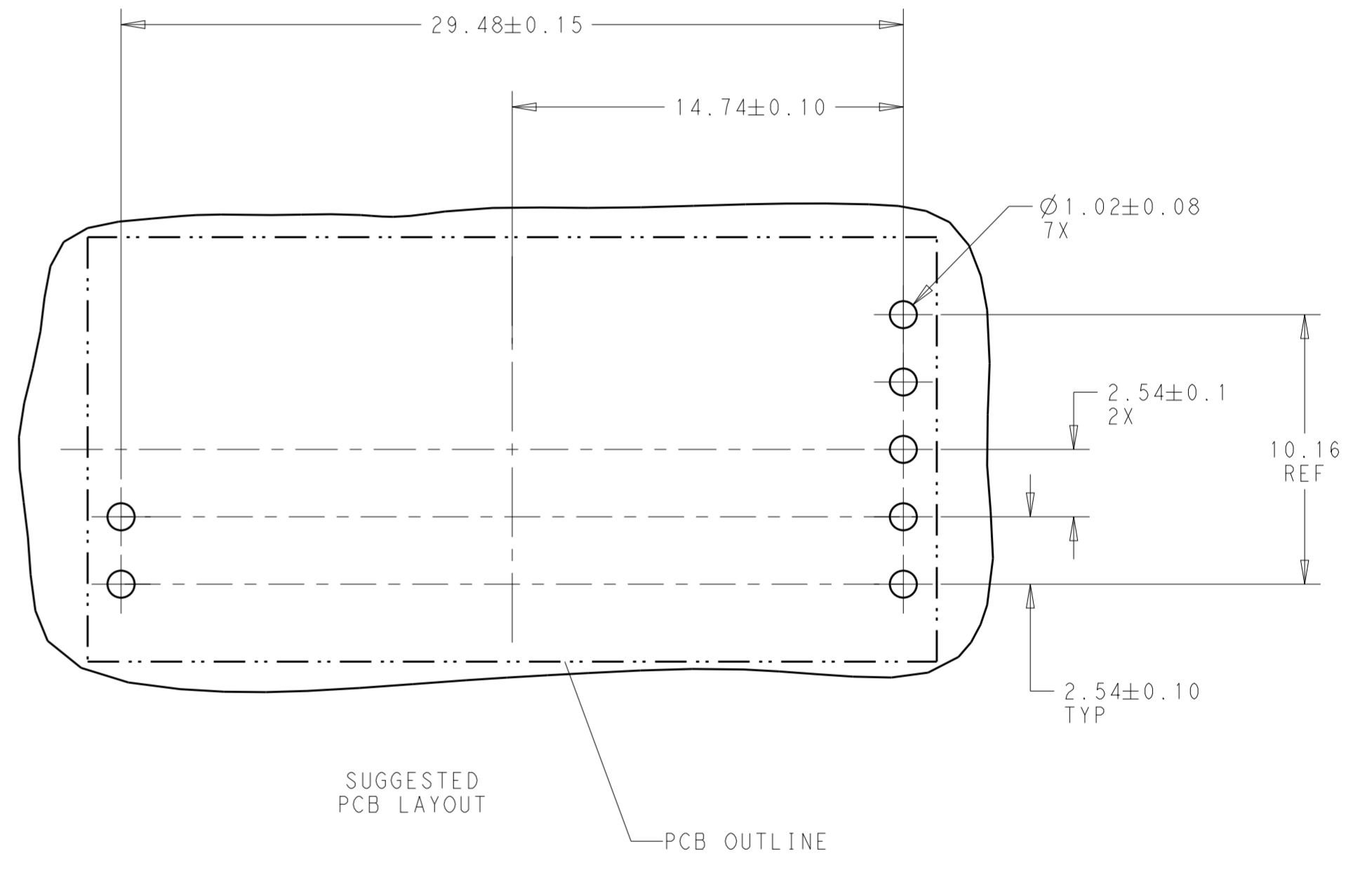
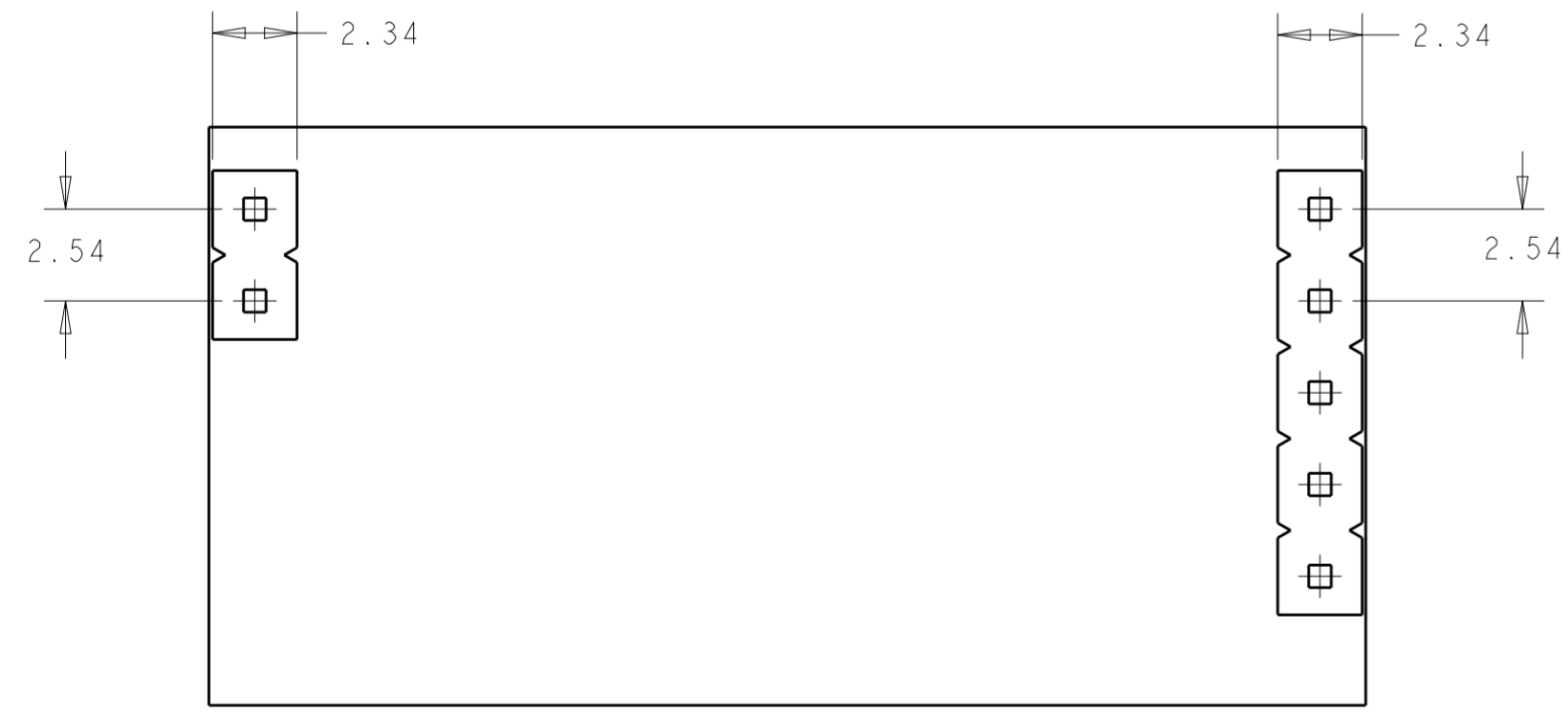
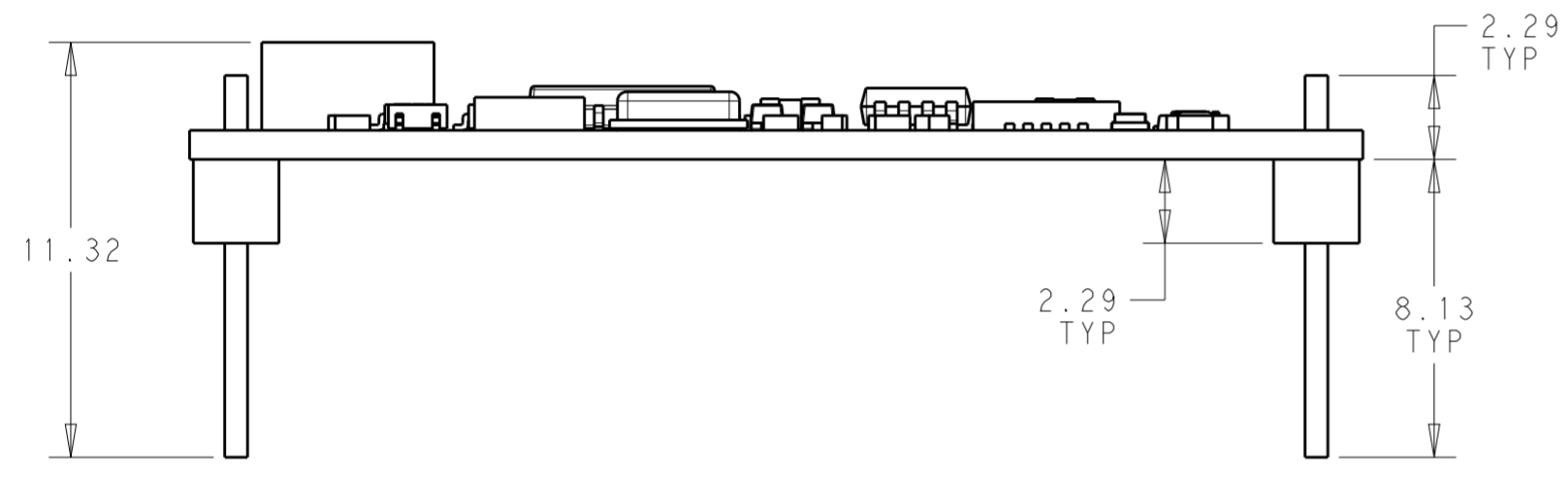
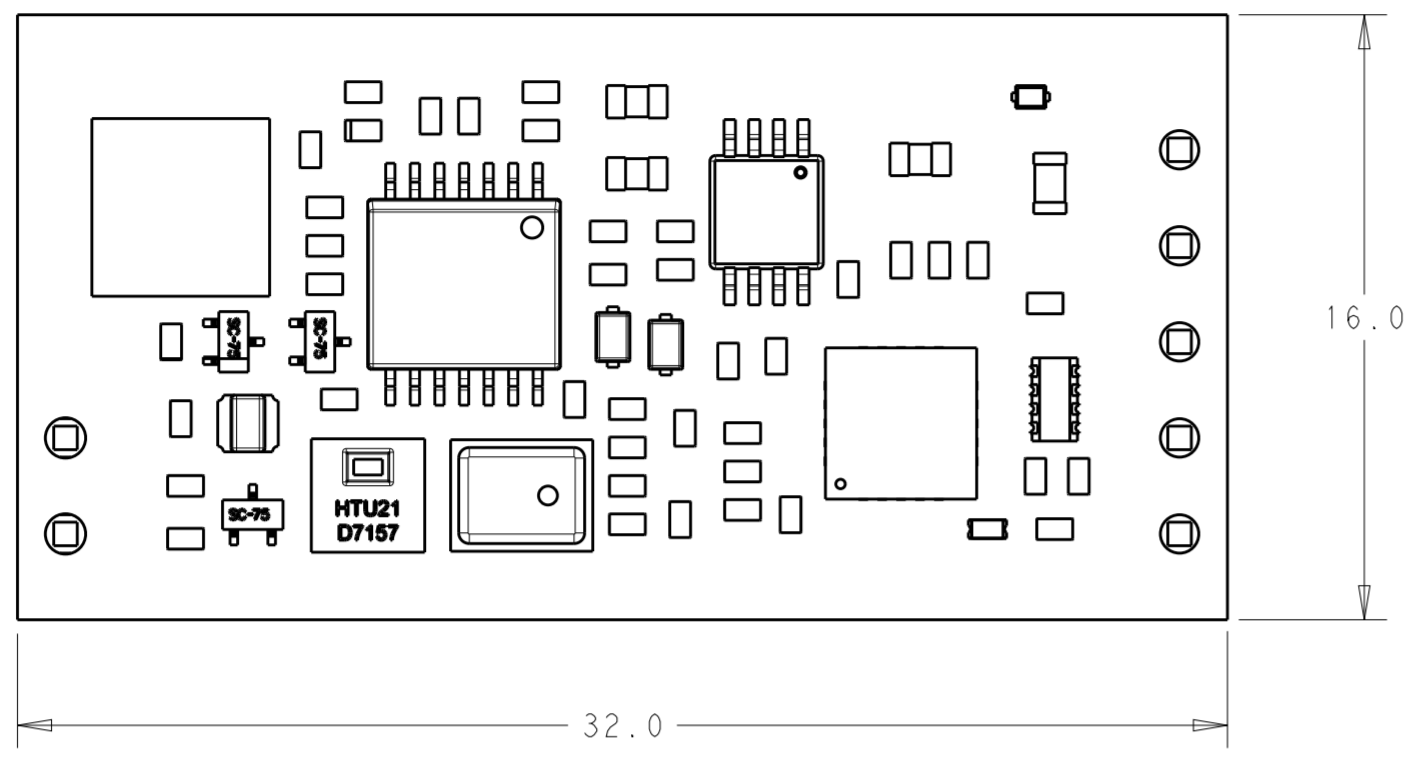


W/MICROPHONE, W/O HEADER	A	1-2314277-2
W/O MICROPHONE, W/O HEADER	A	1-2314277-1
W/MICROPHONE, W/HEADER	A	2314277-2
W/O MICROPHONE, W/HEADER	A	2314277-1
COMMENTS	REV	PART NO.

THIS DRAWING IS A CONTROLLED DOCUMENT.		DWN J. SHAFFER 10MAR2017	TE Connectivity	
		CHK C. GINGRICH 10MAR2017		
DIMENSIONS: mm		APVD -	NAME AMBIMATE, MSM4 SENSOR MODULE, THRU HOLE - PIN HEADER	
TOLERANCES UNLESS OTHERWISE SPECIFIED:		PRODUCT SPEC 108-133092	RESTRICTED TO	
0 PLC ±		APPLICATION SPEC 114-133092	SIZE A2	CAGE CODE -
1 PLC ±0.4		WEIGHT -	DRAWING NO. C-2314277	
2 PLC ±0.25		CUSTOMER DRAWING	SCALE 3:1	SHEET 1 OF 2
3 PLC ±			REV A2	
4 PLC ±				
ANGLES ±				
FINISH -				

THIS DRAWING IS UNPUBLISHED. RELEASED FOR PUBLICATION 20
 © COPYRIGHT 20 BY - ALL RIGHTS RESERVED.

REVISIONS				
P	LTR	DESCRIPTION	DATE	APVD
-		SEE SHEET 1	-	-



THIS DRAWING IS A CONTROLLED DOCUMENT.		DWN J. SHAFFER 10MAR2017	TE Connectivity	
		CHK C. GINGRICH 10MAR2017		
DIMENSIONS:		APVD -	NAME AMBIMATE, MSM4 SENSOR MODULE, THRU HOLE - PIN HEADER	
TOLERANCES UNLESS OTHERWISE SPECIFIED:		PRODUCT SPEC 108-133092	SIZE A2	
0 PLC ±		APPLICATION SPEC 114-133092	CAGE CODE -	DRAWING NO C-2314277
1 PLC ±0.4		WEIGHT -	RESTRICTED TO -	
2 PLC ±0.25		CUSTOMER DRAWING	SCALE 3:1	SHEET 2 OF 2
3 PLC ±				REV A2
4 PLC ±				
ANGLES ±				
FINISH ±				
MATERIAL -				

X-ON Electronics

Largest Supplier of Electrical and Electronic Components

Click to view similar products for [Multiple Function Sensor Modules](#) category:

Click to view products by [TE Connectivity](#) manufacturer:

Other Similar products are found below :

[AD5T](#) [MM7150-AB1](#) [SIBA5-JRAB-DKL](#) [2314277-1](#) [2314277-2](#) [2314291-1](#) [ZMW-SENSOR-1](#) [2316851-1](#) [1-2314277-2](#) [2316852-1](#)
[2331211-3](#) [2316852-2](#) [2316851-2](#) [1-2314277-1](#) [CS-95HSS-A](#) [CS-205HSS-A](#) [CS-20SHSS-A](#) [CS-125HSS-A](#) [CS-205SSS-A](#) [CS-125SSS-A](#)
[CS-95SSS-A](#) [eATVS-4](#) [eATVS-8](#) [tvLYT](#) [NGM_1](#) [SKU-7000](#) [DFR0759](#) [SG-Link-200](#) [V-Link-200](#) [NGM-1](#) [2JCIE-BU01](#) [K6PM-THMD-](#)
[EIP](#) [K6PM-THS3232](#) [WYZBEE-SENS-101](#) [OB1203SD-C4V](#) [101020932](#) [101990693](#) [SIBA5-JRAB](#) [SIBA5-JREB](#) [SIBA5-JREB-DKL](#)
[SIBA-JRA](#) [SIBA-JRAB](#) [SIBA-JRE](#) [SIBA-JREB](#) [SEK SCC30-DB Sample](#) [ESYS11X](#) [ESYS11X+LOPY915](#) [ESYS11X+LOPY868](#) [Sensit](#)
[Discovery 3.1](#) [Sensit Discovery 3.2](#)